



PRESSURE-FLO

120V/60HZ

700 UVC

1400 UVC

2100 UVC

3200 UVC

230-240V/50HZ

2500 UVC

5000 UVC

8000 UVC

12000 UVC

Installation and Maintenance Guide

READ THOROUGHLY BEFORE ATTEMPTING INSTALLATION AND KEEP FOR FUTURE REFERENCE

Notice d'installation et d'entretien

LIRE SOIGNEUSEMENT AVANT D'ENTREPRENDRE L'INSTALLATION DE L'APPAREIL. CONSERVER CETTE NOTICE POUR RÉFÉRENCES ULTÉRIEURES.

Einbau- und Wartungsanleitung

SORGFÄLTIG VOR BEGINN DER INSTALLATION DURCHLESEN UND FÜR SPÄTERE VERWENDUNG AUFBEWAHREN

Guía de instalación y mantenimiento

LEA ATENTAMENTE ESTE FOLLETO ANTES DE INTENTAR LA INSTALACIÓN Y GUARDE ESTAS INSTRUCCIONES COMO REFERENCIA

- Pond Filter with Integrated UV-C Unit
- Filtre pour bassin avec stérilisateur/clarificateur UV-C intégré
- Teichfilter mit integrierter UV-C Einheit
- Filtro para estanques, con unidad uv-c integrada



WARRANTY

Pressure-Flo Filters are guaranteed against defects in material or workmanship for a period of 3 years from date of purchase, under normal usage. The filter will be repaired or replaced at manufacturer's discretion, free of charge. This warranty does not apply to any filter which has been subjected to misuse, negligence, tampering or accidental damage. No liability is assumed with respect to loss or damage to livestock or personal property irrespective of the cause thereof. This warranty does not affect your statutory rights. Failure caused by misuse is not covered by this warranty. The UV-C bulb and quartz sleeve are not covered under this warranty.

GARANTIE

Les filtres Pressure-Flo utilisés dans des conditions normales sont garantis contre tout défaut de matériaux et de main-d'oeuvre pour une période de 3 ans à partir de la date d'achat. Les filtres Pressure-Flo seront réparés ou remplacés sans frais, à la discrétion du fabricant. Tout mauvais usage, négligence, modification ou dommage accidentel invalidera cette garantie. Le fabricant n'est pas responsable des pertes ou des dommages causés aux animaux ou à la propriété. Cette garantie ne porte pas atteinte à vos droits statutaires. Une défaillance causée par un emploi abusif n'est pas couverte par cette garantie. La lampe UV-C et le manchon de quartz ne sont pas couverts par cette garantie.

GARANTIE

Wir garantieren Ihnen, dass Pressure-Flo Filter bei normaler Verwendung für die Dauer von 3 Jahren ab dem Zeitpunkt des Erwerbs von Material- bzw. Verarbeitungsfehlern frei sind. Sollte dies nicht der Fall sein, verpflichtet sich der Hersteller nach seinem alleinigen Ermessen zur Reparatur oder zum Ersatz des entsprechenden Pressure-Flo Filters. Diese Garantie erstreckt sich nicht auf Pressure-Flo Filter, die unsachgemäßer oder fahrlässiger Verwendung, Manipulationen oder deren Flügelrad oder Flügelradachse durch Unfall beschädigt wurden. Eine Haftung für Verluste oder Schäden an Tierbestand oder persönlichem Eigentum ist unabhängig von ihrer Ursache ausgeschlossen. Ihre gesetzlichen Rechte sind von dieser Garantie unberührt. Ein Geräteversagen aufgrund missbräuchlicher Verwendung ist durch diese Garantie nicht abgedeckt. Die UV-C Lampe und die Quarzröhre fallen nicht unter diese Garantie.

GARANTÍA

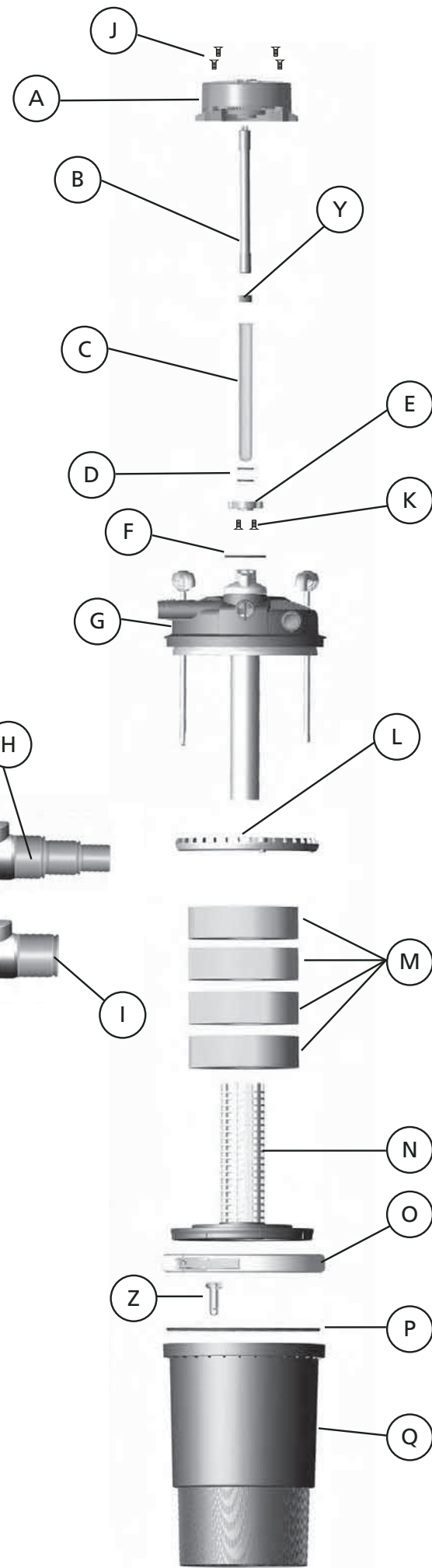
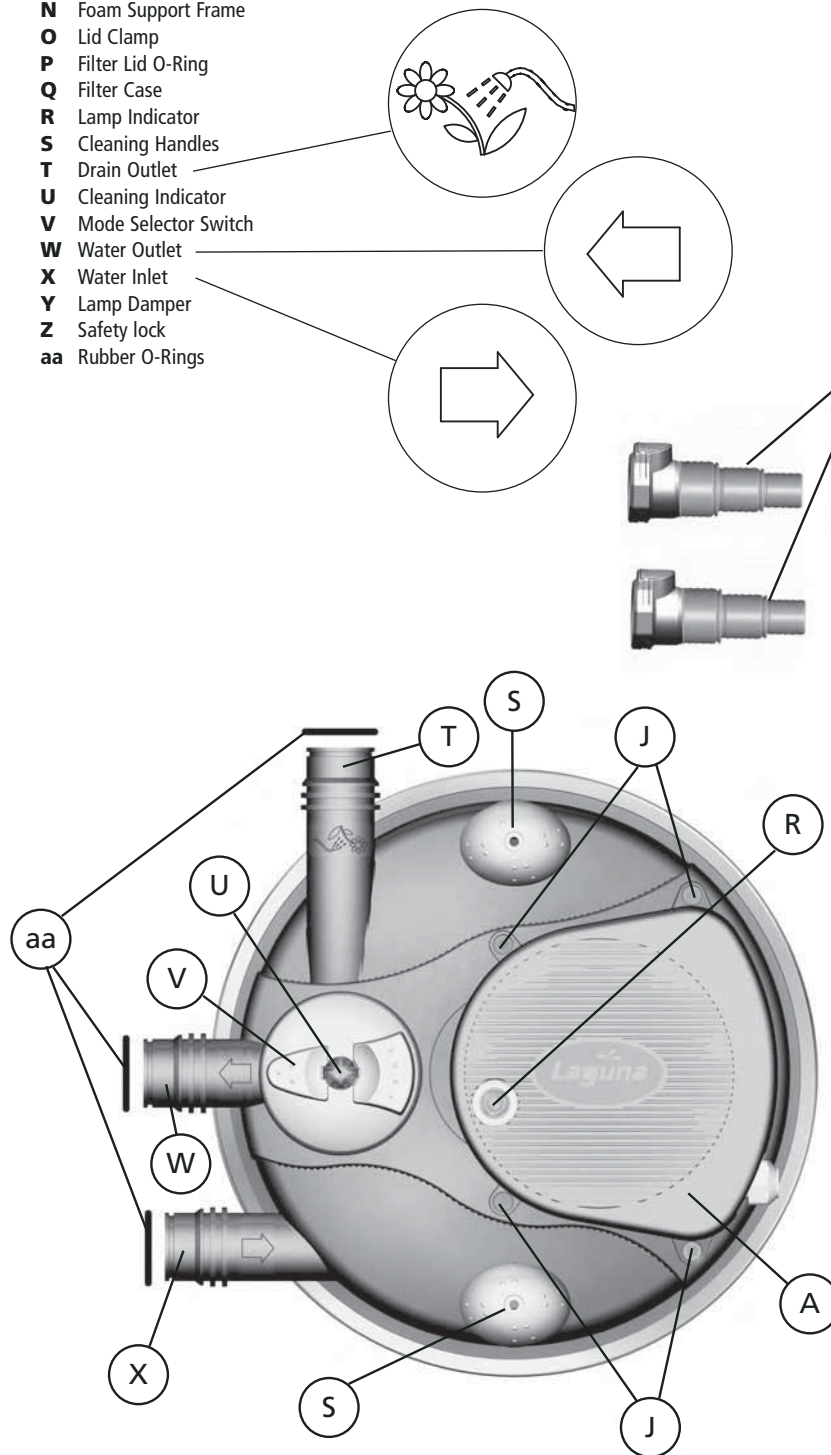
El filtro Pressure-Flo está garantizado contra defectos de materiales y mano de obra, por un período de tres años a partir de la fecha de compra, siempre y cuando se utilice en condiciones normales de uso. El aparato será reparado o reemplazado gratuitamente, a discreción del fabricante. Esta garantía no se aplica a los filtros que hayan sido objeto de uso incorrecto, negligencia, intentos de modificación o daños producidos por accidente. El fabricante no se responsabiliza de la pérdida de animales o efectos personales ni de daños a los mismos, sea cual fuera la causa. Esta garantía no afecta sus derechos legales. Las fallas producidas por un mal uso tampoco están cubiertas por esta garantía. La lámpara de UV y el manguito de cuarzo no están cubiertos por esta garantía.

<i>English Instructions</i>	2
<i>Instructions en français</i>	7
<i>Gebrauchsanleitung auf Deutsch</i>	12
<i>Instrucciones en español</i>	18
<i>Warranty Card</i> <i>Fiche de garantie</i> <i>Garantie-Registrierungskarte</i> <i>Tarjeta de Registro de Garantía</i>	24-25

English Instructions

Refer to these illustrations when reading instruction manual.

- A UV-C Head
- B UV-C Lamp
- C Quartz Sleeve
- D O-Rings
- E Retaining Flange
- F O-Ring
- G Filter Lid
- H Universal Click-Fit
- I Sealing Cap Click-Fit
- J Head Screws
- K Quartz Sleeve Flange Screws
- L Foam Cleaning Blades
- M Foam Filters
- N Foam Support Frame
- O Lid Clamp
- P Filter Lid O-Ring
- Q Filter Case
- R Lamp Indicator
- S Cleaning Handles
- T Drain Outlet
- U Cleaning Indicator
- V Mode Selector Switch
- W Water Outlet
- X Water Inlet
- Y Lamp Damper
- Z Safety lock
- aa Rubber O-Rings



POND FILTER WITH INTEGRATED UVC UNIT For freshwater use only

Read thoroughly prior to installation and operation

IMPORTANT SAFETY INSTRUCTIONS

WARNING: To guard against injury, basic safety precautions should be observed, including the following:

1. READ AND FOLLOW ALL SAFETY INSTRUCTIONS

And all the important notices on the appliance before using this appliance. Failure to do so may result in loss of fish life and/or damage to this appliance.

2. **DANGER** – To avoid possible electric shock, special care should be taken since water is employed in the use of pond equipment. For each of the following situations, do not attempt repairs yourself; return the appliance to an authorized Laguna service facility for service or discard the appliance.

A. **This is a weather-proof but NOT a submersible product. Do not immerse the product in water!** If the appliance falls into the water, DON'T reach for it! First unplug it and then retrieve it.

B. Prior to installing the unit, check that the quartz glass sleeve and the UV-C lamp have not been damaged during transportation, as the UV lamp (B) and quartz sleeve (C) are made of glass. Handle them with care. Do not handle UV lamp with bare hands as this will impede its performance. Carefully examine the appliance after installation. It should not be plugged if there is water on parts not intended to be wet. If electrical components of the appliance get wet, unplug the appliance immediately.

C. Do not operate any appliance if it has a damaged cord or plug, or if it is malfunctioning or if it is dropped or damaged in any manner. **The power cord of this appliance is a special cord: if it is damaged, it must be replaced by an authorized Laguna service facility or similar qualified person in order to avoid any hazard.** Never cut the cord.

D. The UV lamp starter used in this product has a long life and it doesn't require maintenance. If necessary, it must be replaced only by an authorized Laguna service facility or similar qualified person in order to avoid a hazard.

3. Do not allow children to use this appliance. Children must be closely supervised at all times near water. This appliance is not a toy.

4. **CAUTION – NEVER LOOK INTO A UV LAMP WHEN SWITCHED ON.** Direct exposure to ultraviolet light can damage eyes and skin.

5. **IMPORTANT – Always unplug or disconnect this and all appliances in the pond from the electricity supply before placing hands in water, before putting on or taking off parts and while this equipment is being installed, maintained or handled and when not in use. Never yank cord to pull plug from outlet. Grasp the plug and pull to disconnect. Never lift the appliance by the cord.**

6. **This is a Filter unit complete with integrated UV Sterilizer for outdoor fresh water garden ponds.** Do not use the appliance for any purpose other than that for which it is intended.

- Do not use this appliance in swimming pools or other situations where people are immersed.

- This product is designed to work with water not exceeding a temperature of 35°C (95°F).

- Do not use this product with liquids other than water

7. Do not install or store the appliance where it will be exposed to temperatures close to 0° C (32° F) or below. In freezing conditions, disconnect the power supply to the filter and drain water from the filter canister. In winter, remove and store the appliance in a sheltered place.

- Shelter the product also from direct sunlight. The materials have high stability to sunlight but direct rays may overheat it and speed up insulator ageing.

- To avoid overheating, do not place objects on the filter.

- This product should not be placed where it can fall into the water. Do not install it in an area where flooding can occur or where water can accumulate. It should be placed at least 1 m/3.2 feet from the edge of the garden pond, in a dry and protected place, with sufficient ventilation around it. Be sure that there is enough room around it for maintenance operations.

8. **IMPORTANT – The maximum operating pressure is 0.04 Mpa (0.4 Bar or 5.8 PSI). Do not connect power filter to the water mains.**

9. Do not attempt to open the lid clamp (O) and lift the lid when the pump and the filter are in operation. The lid clamp latch features a safety metal insert to prevent accidental opening.

10. **IMPORTANT** – Electrical connection must be in accordance with data on the rating label. Do not connect power to filter unless filter is fully and correctly assembled. Never use the product without water. The filter must always be fully filled with water when operating.

11. If an extension cord is necessary, ensure connection is watertight and dust proof.

A cord with proper rating must be used. A cord rated for less amperes or watts than the appliance rating may overheat. Care should be taken to arrange the cord so that it will not be tripped over or pulled. The connection should be carried out by a qualified electrical installer.

12. **WARNING – Supply through a Residual Current Device (RCD or Ground Fault Current Interrupter) with rated residual current not exceeding 30 mA. The socket outlet to connect the cord should be protected by a weather-proof enclosure and located minimum 2 m from garden pond.**

WARNING – Do not bury cord. Locate cord to minimize damage from lawn mowers, hedge trimmers and other equipment. Permanent installations to the main power supply (hard wiring), must comply with local authority regulations, which may stipulate the use of plastic or metal conduit to protect the cable.

SPECIAL INSTRUCTION FOR USA AND CANADA ONLY.

WARNING – Risk of electric shock – This appliance uses a 3-core cable and must be earthed. It is supplied with a grounding-type attachment plug. To reduce the risk of electric shock be certain that it is connected only to a properly grounded, grounding-type receptacle.

SPECIAL INSTRUCTION FOR U.K.

IMPORTANT – This product is supplied without plug and is designed to be permanently wired to the mains supply; the connection must be made in a dry, weatherproof enclosure through the use of a double pole switched spur which complies to BS3676 fitted with a 3 amp fuse. The installation must conform to the regulations of the Local Electricity Authority which could include the use of plastic or metal conduit to protect the cable. A 30mA Residual Current Device (RCD) must be fitted to the mains supply.

IMPORTANT – The wires in the mains lead are coloured in accordance with the following code:

BROWN-UVE • BLUE-NEUTRAL • GREEN/YELLOW-EARTH

- The Brown lead should be connected to the plug terminal, which may be marked with an 'L' or coloured brown or red.
- The Blue lead should be connected to the Neutral terminal, which may be marked with an 'N' or coloured blue or black.
- The Green/Yellow lead should be connected to the Earth terminal which may be marked with an 'E' or coloured green or yellow.
- The cord should be protected from abrasion, cuts or any other damage. The socket must be positioned in a dry and protected place.

13. SAVE THESE INSTRUCTIONS

Contents

Before you begin, please check that the following items are included in the box:

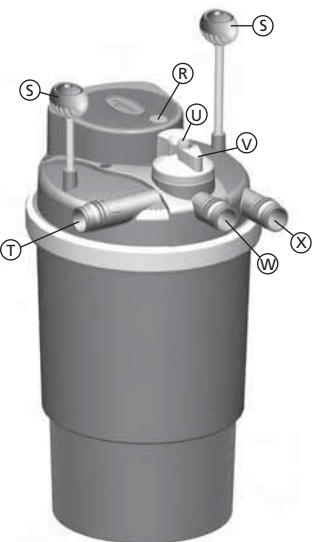
- 1 Pressure-Flo Filter
- 1 UV-C Lamp, not installed
- 3 Foam Filters (PF 2500), 4 Foam Filters (PF 5000 & PF 8000, 5 Foam Filters (PF 12000)
- Biological Media (except Pressure-Flo 2500 UVC)
- 1 Lid sealing O-ring (P), supplied in a separate poly bag
- 3 Click-fit couplings (H) for 3/4", 1", and 1-1/4" (19, 25, & 32 mm) diameter hosing
- 1 Click-fit sealing cap (I)
- Instruction manual
- Safety lock (Z)

Intended use

The **Pressure-Flo filter** is a sealed pressure filter with an integrated UV-C sterilizer designed to provide mechanical and biological filtration in outdoor fresh water ornamental ponds with a temperature from +4°C to 35°C (+39.2° to 95° F), with or without fish. The purpose of **mechanical filtration** is to trap and accumulate debris and waste material coming from the pond. The purpose of **biological filtration** is to convert toxic by-products of fish metabolism and other organic waste into much less harmful substances. The purpose of **UV-C filtration** is to inhibit single-celled algae growth.

How Pressure-Flo Filters work

Pressure-Flo Filters are designed to provide three important water filtration operations that are essential for keeping pond water clear and healthy: mechanical



and biological filtration, and UVC sterilization. The filters are designed to work in tandem with a solids handling pump. For best results, use a Laguna Max-Flo circulating pump. With the filter connected to the outlet of a pump, water enters the unit through water inlet (X). It is then forced to pass through the **mechanical filtration** stage, consisting of foam filters that intercept and trap dirt and debris. Next, water reaches the **biological filtration*** chamber where it comes into contact with beneficial bacteria. Finally, dirt-free water passes along the UV-C lamp unit (B), where it is exposed to ultraviolet rays that inhibit algae growth. Water then returns to the pond through outlet (W).

*Pressure-Flo 2500 UVC does not feature the biological filtration chamber.

Backwash-Cleaning System

During operation, coarse debris is captured at the surface of the foam filters. As a result, sooner or later depending on pond conditions, the external surface of the foam filters will clog and hinder proper filtration, because of reduced water flow. The limited water flow through the foam filters reduces the effectiveness of both the biological and UV-C filtration. This condition can easily be detected thanks to the cleaning indicator (U).

Pressure-Flo filters feature a unique **Backwash-Cleaning System** that completely cleans the entire surface of the mechanical foam filters. The complete cleaning operation can easily and comfortably be done in a few minutes with no need to open the unit. Cleaning will ensure that the filter will perform at optimal levels for many days. Though the Backwash-Cleaning System prolongs the time between maintenance sessions, thorough cleaning of the unit is necessary periodically. See **Cleaning and Maintenance of the Pressure-Flo Filter** for more details.

Cleaning indicator

This unit features a cleaning indicator (U), which lets you know when the filter needs backwashing or cleaning. The red indicator height is approximately proportional to the filter clogging level. When the red indicator is low, the filter is clean. When the red indicator is at the top of its stroke, the filter needs cleaning.

The cleaning indicator may be affected by many variables, such as waterfall height and pump performance. Its operating characteristics have been calibrated according to specific application conditions indicated in the chart below (**Selecting the right Pressure-Flo and Max-Flo pump for your Pond**). Different application conditions may lead to different results.

Selecting the right Pressure-Flo and Max-Flo pump for your pond

Using the following table, select the correct Laguna Max-Flo pump/Pressure-Flo filter combination according to your pond size and conditions. Due to the high number of variables, the following recommendations are offered as general guidance only.

120V/60HZ		PF 700	PF 1400	PF 2100	PF 3200
230-240V/50HZ		PF 2500	PF 5000	PF 8000	PF 12000
High load of fish in shade	Liter	1800	3500	5500	8000
	US gal.	475	925	1456	2113
Low load of fish under direct sunlight	Liter	1800	3500	5500	8000
	US gal.	475	925	1456	2113
Low load of fish in shade	Liter	2500	5000	8000	12000
	US gal.	660	1320	2113	3170
High load of fish under direct sunlight	Liter	1250	2500	4000	6000
	US gal.	330	660	1057	1585
Recommended Laguna Max-Flo pump*	230-240V	MF2200 (MF3500)	MF3500	MF6000	MF7500
Recommended Laguna Max-Flo pump*	120V	MF600 (MF900)	MF900	MF1500	MF2000
Recommended total hose length**	Meters	4	4	5.5	6
	Feet	13	13	18	19
Minimum hose dia. to achieve above performances	Inches	1 1/4	1 1/4	1 1/4	1 1/4
	Millimeters	32	32	32	32
Recommended max. waterfall height to achieve above performances	Centimeters	60	60	100	100
	Inches	24	24	39	39

Maintenance of filter will be more frequent during the hot summer months

* If the application includes a higher waterfall than the maximum indicated, choose a bigger pump.

** Total length outlet + inlet. For reference only. The final flow rate depends on many factors, such as the length and the diameter of the hose, hosing kinks or bends, and the height of the waterfalls.

Low load of fish = Goldfish only, less than 5 cm/1.9 inches per 100 litres/26 U.S. gal.

High load of fish = Koi or Goldfish, more than 5 cm/1.9 inches per 100 litres/26 U.S. gal.

Installation

Location of the filter

Choose a suitable location for your Pressure-Flo filter, keeping in mind the following recommendations:

- Place the Pressure-Flo Filter on a firm and level base, where it is safe from flooding and has enough ventilation. Protect the appliance from direct sunlight.
- Place either above ground or buried with the lid clamp (O) at least 5 cm/2 inches above ground level.
- To avoid overheating, do not cover the filter.
- Place the filter at least 1 meter/3.2 feet from the pond edge and make sure it cannot fall into the water in any way.
- Make sure you have full access to the lid of the unit for maintenance.
- Do not operate the filter with a water pressure greater than 0,4 bar or 5.8 PSI of pressure. Never connect the filter to public water works.**
- Orient the filter so that the water inlet (X), water outlet (W) and drain outlet (T) point in the desired directions to avoid sharp bends in the hosing

Hose connections

Pressure-Flo filter requires the connection of 3 hoses (not included): one for the inlet of the unit (from the pond pump), one for the outlet which takes filtered water to the pond, and one for discharging dirty water from the filter to a location outside the pond during maintenance.

When selecting and installing the hoses for your application, maximize potential flow by choosing the largest diameter and shortest hosing possible and avoiding kinks and sharp bends.

Pressure-Flo Filters are equipped with 3 universal click-fit couplings (H), which will make connecting and disconnecting the hosing fast and easy. Connect flexible hoses to click-fit couplings and secure them with an adequate hose clamp (not included).

IMPORTANT – Universal click-fit couplings (H) allow the connection of different diameter flexible hosing, but it is important to cut off the unused smaller diameter hose-tails to avoid flow restrictions.

When flexible hoses are securely connected to click-fit couplings, you can disconnect hosing from the unit simply by pushing the click-fit coupling button and pulling. To connect click-fit couplings to the unit, insert them onto the male connectors located on the lid of the unit and ensure that the coupling button comes up fully.

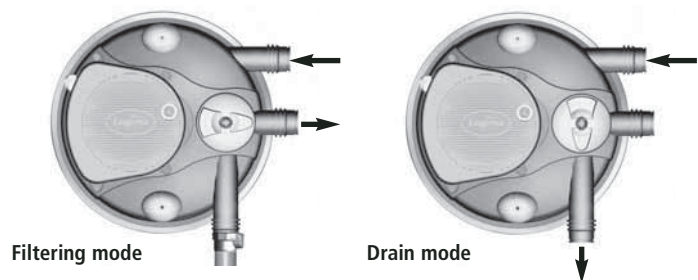
Water Inlet (X): the Water Inlet is where pond water enters the Pressure-Flo filter. Simply connect the outlet of a Laguna Max-Flo solids handling pump to the Pressure-Flo inlet (X) using Laguna non-kink hosing. The pump circulates dirty water from the pond to the Pressure-Flo filter.

Water Outlet (W): the Water Outlet returns filtered water to the pond when the filter is operating in filtering mode. Hosing attached to the water outlet (W) can be placed directly in the pond or used to create a watercourse or waterfall. This outlet is activated when the Mode Selector Switch (V) is pointing at the water outlet (W) (Filtering Mode). The end of the outlet hosing should be placed as far away from the pump inlet as possible to maximize water circulation in the pond.

Drain Outlet (T): the Drain Outlet is where dirty water exits the filter when using the Backwash-Cleaning System. Connect a hose to the Drain Outlet to allow dirty water to drain out of the filter and into a sewage system or garden. This outlet is activated when the Mode Selector Switch (V) is pointing at the Drain Outlet (T) (Drain Mode).

IMPORTANT – During normal “Filtering Mode” operation, close the Drain Outlet (T) using the Click-fit Sealing Cap (I).

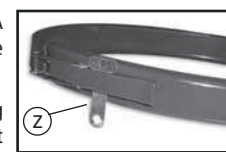
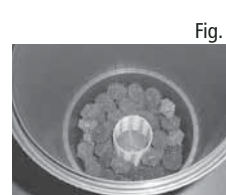
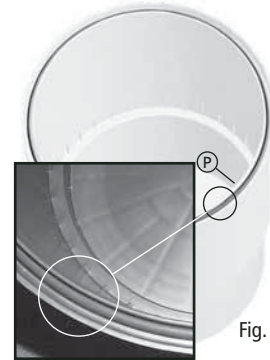
TIP: dirty pond water is nutrient-rich and chlorine-free and is particularly good for watering the garden.



Filter Start-up, Operation and Backwash-Cleaning

IMPORTANT! – Before the first and every start-up verify the following:

- Before the first start-up, it is necessary to install the lid O-ring (P), which is supplied in a separate poly bag. This O-ring must be correctly inserted in its seat at the top of the filter canister (Fig 1).
- Before the first start-up, it is necessary to install the UV-C Lamp and perform the Filter Wet Test. Refer to the section “Changing the UV-C Lamp and Cleaning the Quartz Sleeve” for detailed instructions.
- The Biological Media must be placed in the Filter Case as indicated in the picture (except Pressure-Flo 2500 UV-C)(Fig. 2)
- Ensure that the lid (G) is securely closed with the lid clamp (O) and the lid O-ring (P) correctly sitting in its seat. **IMPORTANT:** Before applying the lid clamp (O), the lid (G) must be pressed down until the gap between lid and filter case is eliminated. The lid clamp must be latched, with the safety metal lock (Z) inserted correctly inside the latch slot. **WARNING:** Pay attention not to pinch your fingers or the line cord, while latching the lid clamp. A padlock (not included) can be inserted in the bottom hole of the safety lock (Z) to secure it.
- The Mode Selector Switch (V) must be set to the “Filtering Mode” position with the switch pointing at Water Outlet (W). **Mode selector (V) must be fully turned 90°; do not set it at intermediate positions.**
- Ensure that all hoses have been securely connected to the unit and placed in their final position. Ensure that the male section of all Click-Fit couplings is equipped with the rubber O-Ring (aa).



During normal “Filtering Mode” operation, close the Drain Outlet (T) using the Click fit Sealing Cap (I).

Always ensure that the Click-fit Sealing Cap is securely locked in place (push button fully up).

CAUTION – Do not operate the UV-C lamp (B) without water flowing through the unit.

After the above verifications, proceed as follows:

- Turn on the pump and run the filter for several minutes to check that there are no water leaks
- If everything is OK and water regularly flows through the unit, plug the Pressure-Flo UV-C lamp (B) into the power supply. The lamp indicator (R) lights up with a blue shimmer when the UV-C is operating; this light can be better viewed after dusk.

Keep the filter working for 24 hours a day and ideally all year round, provided that there is no frost and water can flow freely through the unit.

Backwash-Cleaning System

When the foam surface becomes clogged, the **Backwash-Cleaning System** quickly and efficiently restores normal filter operation without having to open the unit. Cleaning should be done at least weekly or whenever the cleaning indicator (U) detects that the filter is clogged or dirty or when cloudy water comes out of the filter.

If the pond is very dirty and during the first weeks the unit is used, the filter may need more frequent cleaning.

Proceed as follows:

- Remove the click-fit Sealing Cap from the Drain Outlet (T). **CAUTION:** there will be a small flow of water coming out.
- Connect a drain hose to the Drain Outlet (T) and ensure that it will expel the dirty water where desired.
- Turn the Mode Selector Switch (V) to the Drain Mode position (point selector fully at drain outlet (T)).
- Slide both cleaning handles (S) up and down. The up-and-down sliding motion propels two cleaning blades inside the unit to rub against the face of the foam filters, dislodging and suspending debris in the outer chamber of the filter. Water loaded with the suspended debris is forced out of the filter through the Drain Outlet (T), which is directly connected to the filter’s outer chamber. Proceed for several minutes until you see clear water coming out through the drain hose.

CAUTION – The cleaning system uses pond water. This fact must be considered when using the cleaning feature. At the end, refill the pond to the desired water level.

- Turn the Mode Selector Switch (V) to the Filtering Mode position (selector fully pointing at Water Outlet (W)). The filter is now in normal filtering mode. A flow of green water coming out for a few seconds is quite normal.

- Seal the Drain Outlet (T) using the Click-fit Sealing Cap (I). Ensure that it is securely locked in place (push button fully up).

If the filter remains clogged at the end of this operation, perform Foam and Biological Media Cleaning below.

Cleaning and Maintenance of the Pressure-Flo Filter

WARNINGS:

- Do not attempt to open the lid clamp (O) and lift the lid when the pump and the filter are in operation. The lid clamp latch features a safety metal insert to prevent accidental opening.**
- DO NOT ATTEMPT TO VIEW THE LAMP WHEN LIT! Direct exposure to ultraviolet light can damage eyes and skin.**
- The UV-C lamp (B) and the quartz sleeve (C) are made of glass. Handle all parts with care.**
- Make sure that the internal electrical parts of the appliance are dry before, during and after the maintenance operations.**
- The Mode Selector Switch (V) simply diverts water but does not stop it.**

Foam and Biological Media Cleaning

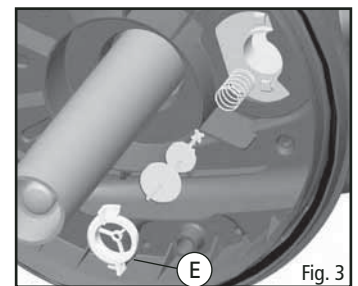
When the **Backwash-Cleaning System** does not produce expected results or at least once in a season, it may be necessary to thoroughly wash or replace the foam filters (M). During the hot summer months, more frequent cleaning is required.

During this operation, the biological media can also be cleaned and/or replaced (except Pressure-Flo 2500 UVC).

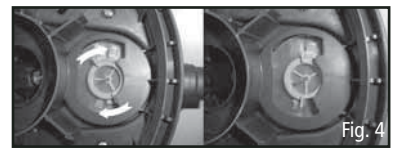
- Switch off the UV-C lamp (B) by disconnecting the unit plug from the main power supply.
- Switch off the pump that supplies the Pressure-Flo Filter.
- Disconnect all hosing from the unit by releasing the click-fit couplings (push the press button and pull).
- Slowly lift the Cleaning Handles (S) up to their maximum extension above the filter.
- Remove the safety insert from the metallic lid clamp (O). Unlatch the metallic lid clamp.
- Remove the Lid (G) by grasping the cleaning handles or by gently levering into the side slots by means of an adequate flatheaded screwdriver. **CAUTION: do not force the guiding rods sideways as this may damage the unit.**

CAUTION – The lid integrates the UV-C unit with the lamp and the quartz sleeve, which are made of glass. HANDLE ALL PARTS WITH CARE!

- You now have access to the Foam Filters (M). Remove all of them together by grasping and lifting the internal Foam Support Frame (N).
- Free the Foam Filters (M) from the Foam Support Frame (N) and rinse with pond water or replace them as required.
- Rinse the biological media located in the lower section of the Filter Case (Q) with pond water or replace as required. Pressure-Flo 2500 UVC does not have a biological media chamber.
- Clean the Filter Case (Q) with water, particularly around the top edge where the lid sealing O-ring (P) is seated. Clean the filter lid (G) with water.



- If necessary clean the Cleaning Indicator (U) after disassembling it as follows: 1) remove the retaining flange (E) by rotating it counter-clockwise (the Mode Selector Switch (V) must be set to the “Filtering Mode” position), 2) remove the indicator and its spring. Rinse all parts in water and reassemble them with care. (Fig. 3 - Fig. 4)



- Inspect and clean the two Cleaning Blades (L) and the guide rods. If necessary, replace the blades with new ones. Each blade can easily be detached from the guiding rod by unscrewing the screw in the middle.
- Put the foam and biological filtering media back in their original locations. Ensure that the foam filters are properly stacked with no space between them.
- Reassemble the unit with care. Make sure that the biological filtration media does not interfere with the foam support frame (N) and that the frame is refitted correctly.
- The filter is now ready for start-up. Read and follow all instructions in **Filter Start-up, Operation, and Backwash-Cleaning**.

NEVER use soap or detergents for cleaning. Any remaining traces may pollute the pond and result in damage to sensitive fish tissues.

Changing the UV-C lamp and Cleaning the Quartz Sleeve

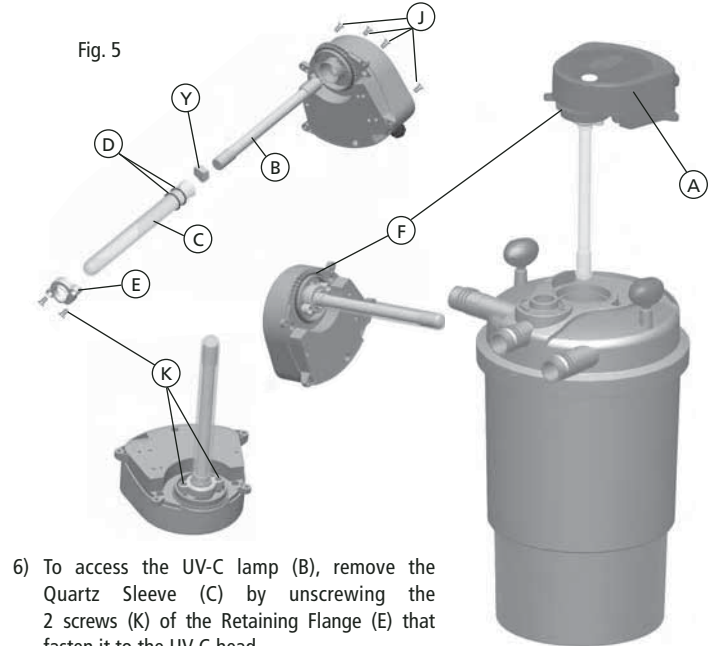
Changing the UV-C lamp: to maintain optimum performance, the UV-C lamp (B) should be replaced every year. An ideal time is Spring, during pre-season pond maintenance.

Cleaning the Quartz Sleeve: although only filtered water passes through the UV-C section of the Pressure-Flo filter, the quartz sleeve (C) can become coated with limescale, which will diminish the performance of the UV-C lamp (B). It is recommended to check and clean the quartz sleeve (C) on a regular basis. The frequency of cleaning depends on pond conditions.

In order to access the UV-C lamp (B) and the quartz sleeve (C), proceed as follows:

- 1) Switch off the UV-C lamp by disconnecting the unit plug from the main power supply.
- 2) Switch off the pump that supplies the Pressure-Flo Filter.
- 3) Disconnect all hosing from the unit by releasing the click-fit couplings (push the "press" button and pull).
- 4) Remove the UV-C head (A) (Fig. 5) from the filter by unscrewing the 4 screws (J) that fasten the UV-C head to the filter lid (G).
- 5) At this stage it is possible to clean the quartz sleeve (C), if required. **For cleaning the quartz sleeve, simply use a damp soft cloth. In case of stubborn dirt, some vinegar may be used. Do not use detergents or other chemical cleaners.**

If it is not necessary to change the UV-C lamp, go straight to point #10.



- 6) To access the UV-C lamp (B), remove the Quartz Sleeve (C) by unscrewing the 2 screws (K) of the Retaining Flange (E) that fasten it to the UV-C head.
- 7) Pull out the UV-C lamp (B) away from the lamp holder (if it is not the first start-up) and replace it with a new one. The Lamp holder pins must be correctly oriented. If the Lamp does not fit at first, rotate it 90°. **WARNING - DO NOT ATTEMPT TO VIEW THE LAMP WHEN LIT! Direct exposure to ultraviolet light can damage eyes and skin. Do not test the UV-C lamp unless the filter is fully assembled and closed. IMPORTANT - Use original Laguna spare parts only. Refer to the Spare Parts List for correct part number identification.**
- 8) Place the Quartz Sleeve (C) and the **two** O-rings (D) back in their original position. **IMPORTANT - The Lamp Damper (Y) inside the quartz sleeve must sit between the lamp and the bottom of the quartz sleeve. Do not remove it. IMPORTANT - The two O-rings (D) of the quartz sleeve (C) must be replaced every time the unit is opened.**
- 9) Place the retaining flange (E) in its original position and fasten it with the two screws (K).
- 10) Check to ensure that the Quartz Sleeve (C) is not damaged. Check that all the components are present and have been reassembled properly. If in doubt, consult your Laguna dealer.
- 11) Put the UV-C head (A) back on the filter lid (G), ensuring that the inner O-ring (F) is correctly located before securing the UV-C head with the screws (J).
- 12) Secure the UV-C head (A) to the filter lid, by refitting and tightening the 4 screws (J). **WARNING - Risk of Electric Shock: Before powering the lamp, make sure that ALL O-Rings are back in their original position, ALL screws are tightened and there has not been any damaged to the unit. Before connecting the unit to the power supply, perform the Filter Wet Test (see below).**

13) The filter is now ready for start-up. Read and follow all instructions in **Filter Start-up, Operation, and Backwash-Cleaning.**

Winter Storage

The unit must be protected from frost. In cold winter weather, the unit may be switched off. It should then be drained of water, removed from its installation and stored in a dry, weather-proof area. It is recommended to keep the unit lid open during storage.

Filter Wet Test

Once the unit is fully assembled, it must be wet tested before connecting to the power supply. This test must be repeated whenever the lamp and the quartz sleeve are changed or disassembled.

- 1) Install the filter and connect it to the pump following all installation instructions. Do NOT switch on the filter. Switch on the pump only and let it run for 24 hours.
 - 2) After 24 hours, switch off the pump and remove the UV-C head (A) from filter by unscrewing the 4 screws (J). Do not disassemble more parts.
 - 3) Inspect inside the quartz sleeve (C) for leaks. If you see water inside the quartz sleeve and around the lamp, do NOT connect the unit to power supply but carry it to an authorized Laguna service facility or similar qualified person for verification.
- If on the contrary no water is visible inside the quartz sleeve (C), carefully reassemble the unit and use it normally according to this Installation and Maintenance Guide.

TECHNICAL DATA

120V/60HZ	PF 700 UVC	PF 1400 UVC	PF 2100 UVC	PF 3200 UVC	
230-240V/50HZ	PF 2500 UVC	PF 5000 UVC	PF 8000 UVC	PF 12000 UVC	
Protection degree	IP 55	IP 55	IP 55	IP 55	
Unit max size*	mm	Ø285 - h350	Ø285 - h510	Ø365 - h525	Ø365 - h640
	in	Ø11.2 - h13.7	Ø11.2 - h20	Ø14.3 - h20.6	Ø14.3 - h25.2
Filter canister height	mm	230	385	400	500
	in	9	15.2	15.7	19.7
UV-C power	W	11	11	20	25
Max. applicable pressure (max height)	Bar	0,4	0,4	0,4	0,4
	PSI	5.8	5.8	5.8	5.8
Suggested max. water flow	l/h	1250	2500	4000	6000
	US GPH	330	660	1057	1585
Foam quantity	qty	3	4	4	5
Canister volume	Liter	10	17,5	31	40
	US GAL	2.6	4.6	8.2	10.6
Max. Quantity of Laguna Biospheres	qty	Not applicable	80	160	220
Inlet and Outlet hose connection		Universal Click-fit coupling: 3/4", 1", 1-1/4"/19, 25, 32 mm (1-1/4"/32 mm female)	Universal Click-fit coupling: 3/4", 1", 1-1/4"/19, 25, 32 mm (1-1/4"/32 mm female)	Universal Click-fit coupling: 3/4", 1", 1-1/4"/19, 25, 32 mm (1-1/4"/32 mm female)	Universal Click-fit coupling: 3/4", 1", 1-1/4"/19, 25, 32 mm (1-1/4"/32 mm female)

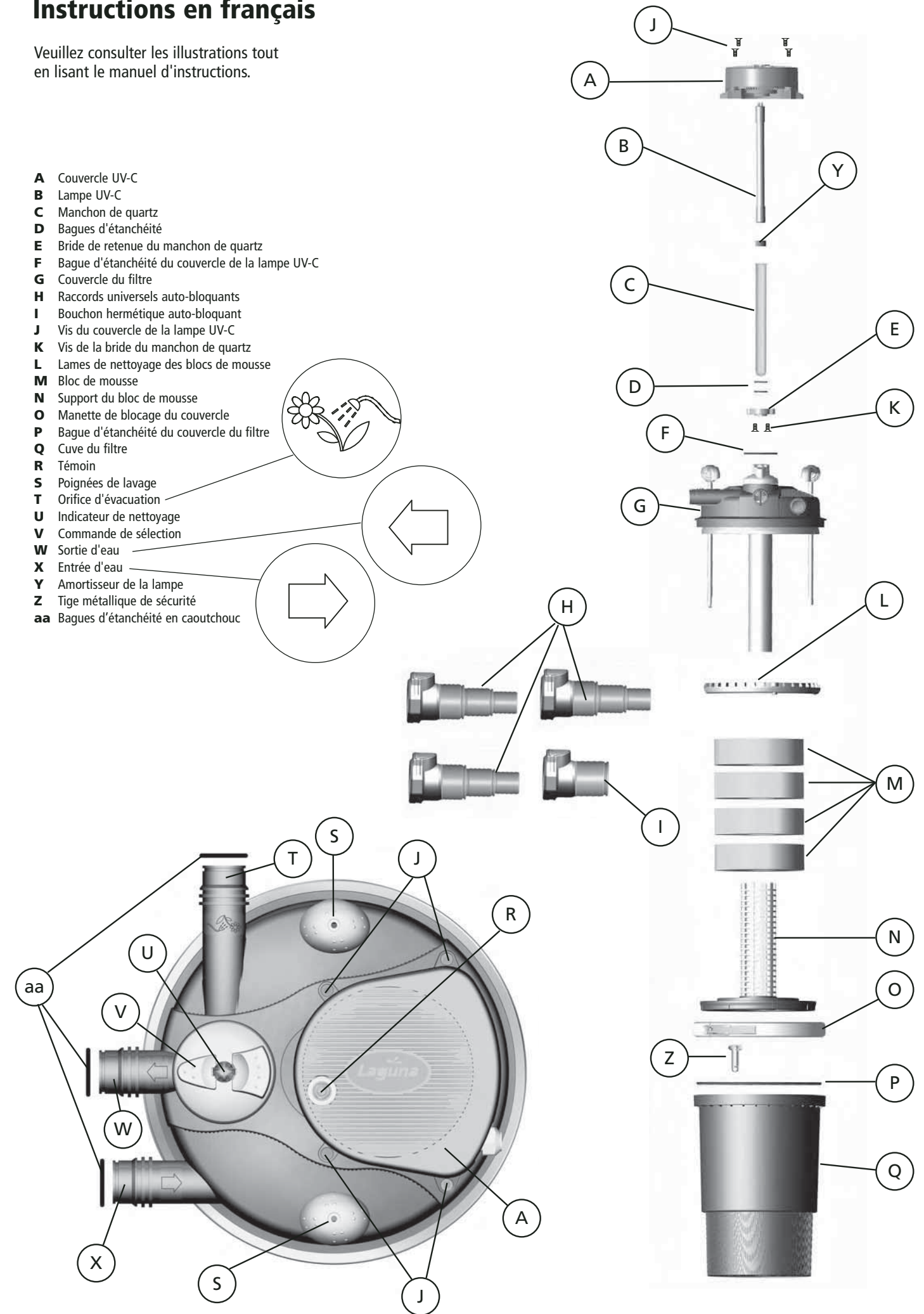
Spare Parts					
120V/60HZ		PF 700 UVC	PF 1400 UVC	PF 2100 UVC	PF 3200 UVC
230-240V/50HZ	*	PF 2500 UVC	PF 5000 UVC	PF 8000 UVC	PF 12000 UVC
UV-C lamp + 2 pcs O-rings	B	PT-1520	PT-1520	PT-1521	PT-1522
Quartz Sleeve + 2 pcs O-rings	C D	PT-1524	PT-1524	PT-1525	PT-1526
Quartz Sleeve O-rings (2 pcs)	D	PT-1527	PT-1527	PT-1527	PT-1527
Quartz Sleeve flange	E	PT-1528	PT-1528	PT-1528	PT-1528
UV-C Head O-ring	F	PT-1530	PT-1530	PT-1530	PT-1530
Universal Click-fit	H	PT-640	PT-640	PT-640	PT-640
Sealing Cap Click-fit	I	PT-1543	PT-1543	PT-1543	PT-1543
Head screws & Quartz sleeve flange screws (6 pcs)	J K	PT-1529	PT-1529	PT-1529	PT-1529
Foam cleaning blades (2 pcs)	L	PT-1513	PT-1513	PT-1514	PT-1514
Foam Filter(1 pc)	M	PT-1510	PT-1510	PT-1511	PT-1511
Lid sealing O-ring	P	PT-1535	PT-1535	PT-1536	PT-1536
Cleaning indicator (flange/indicator/spring)	U	PT-1538	PT-1539	PT-1540	PT-1541
Biospheres	—	—	PT-1785	PT-1785	PT-1785
Rubber O-Rings	aa	PT-743	PT-743	PT-743	PT-743

* See Product Illustrations

Instructions en français

Veillez consulter les illustrations tout en lisant le manuel d'instructions.

- A Couvercle UV-C
- B Lampe UV-C
- C Manchon de quartz
- D Bagues d'étanchéité
- E Bride de retenue du manchon de quartz
- F Bague d'étanchéité du couvercle de la lampe UV-C
- G Couvercle du filtre
- H Raccords universels auto-bloquants
- I Bouchon hermétique auto-bloquant
- J Vis du couvercle de la lampe UV-C
- K Vis de la bride du manchon de quartz
- L Lames de nettoyage des blocs de mousse
- M Bloc de mousse
- N Support du bloc de mousse
- O Manette de blocage du couvercle
- P Bague d'étanchéité du couvercle du filtre
- Q Cuve du filtre
- R Témoin
- S Poignées de lavage
- T Orifice d'évacuation
- U Indicateur de nettoyage
- V Commande de sélection
- W Sortie d'eau
- X Entrée d'eau
- Y Amortisseur de la lampe
- Z Tige métallique de sécurité
- aa Bagues d'étanchéité en caoutchouc



FILTRE POUR BASSIN AVEC STÉRILISATEUR/ CLARIFICATEUR UV-C INTÉGRÉ

Pour usage en eau douce seulement

Bien lire avant d'installer le filtre et de le faire fonctionner

MESURES DE SÉCURITÉ

MISE EN GARDE : Pour éviter tout accident, il est important de prendre les précautions suivantes :

- LIRE ET SUIVRE TOUTES LES MESURES DE SÉCURITÉ** ainsi que toutes les instructions notées sur l'appareil. Sinon, il peut en résulter la perte des poissons ou du dommage à cet appareil.
- DANGER** — Du fait de l'utilisation de l'eau et d'un appareil électrique, une grande prudence est de rigueur avec l'équipement d'un bassin. Dans chacune des situations suivantes, ne pas essayer de réparer l'appareil soi-même; l'apporter chez un détaillant autorisé Laguna pour le service ou le jeter.
- Cet article est étanche mais NON submersible. Ne pas l'immerger dans l'eau!** Si l'appareil tombe dans l'eau, NE PAS l'atteindre! Il faut d'abord le débrancher et ensuite le retirer.
- Avant d'installer le filtre, vérifier que le manchon de quartz (C) et la lampe UV-C (B) n'ont pas été endommagés durant le transport parce que tous les deux sont fabriqués en verre. Les manipuler avec soin. Ne pas manier la lampe UV-C avec les mains nues parce que cela entrav-era son rendement. Inspecter soigneusement l'appareil après son installation. Il ne devrait pas être branché s'il y a de l'eau sur des pièces ne devant pas être mouillées. Si des pièces électriques de l'appareil sont mouillées, débrancher l'appareil immédiatement.
- Ne pas faire fonctionner un appareil si son cordon électrique ou sa fiche sont endommagés, s'il est défectueux, s'il a été échappé ou endommagé d'une façon quelconque. **Le cordon d'alimentation de cet appareil est spécial : s'il a été abîmé, il doit être remplacé dans un service Laguna autorisé ou par un technicien afin d'éviter tout danger.** Ne jamais couper le cordon d'alimentation.
- Le démarreur de la lampe U.V. utilisé dans ce produit a une longue durée et ne nécessite aucun entretien. En cas de besoin, il doit être remplacé dans un service Laguna autorisé ou par un technicien afin d'éviter tout danger.
- On ne doit pas permettre aux enfants d'utiliser cet appareil. Ils doivent être surveillés étroitement en tout temps près de l'eau. Ce filtre n'est pas un jouet.
- ATTENTION : NE JAMAIS REGARDER DANS UNE LAMPE U.V. LORSQU'ELLE EST ALLUMÉE.** L'exposition directe aux rayons U.V. peut endommager les yeux et la peau.
- IMPORTANT** – Toujours débrancher tous les appareils électriques dans le bassin avant de placer vos mains dans l'eau, avant d'installer ou d'enlever des pièces et pendant que l'équipement est installé, entretenu ou manipulé, ou lorsqu'il n'est pas utilisé. Ne jamais tirer sur le cordon électrique pour débrancher l'appareil. Prendre la fiche et débrancher l'appareil. Ne jamais soulever le filtre par le cordon électrique.
- Ce filtre est muni d'un stérilisateur U.V. intégré pour les bassins extérieurs d'eau douce.** Ne pas utiliser ce filtre pour un emploi autre que celui pour lequel il a été fabriqué.
 - Ne pas s'en servir dans une piscine ou dans d'autres cas où des personnes sont dans l'eau.
 - Cet appareil est conçu pour fonctionner dans de l'eau ne dépassant pas 35 °C (95 °F).
 - Ne pas employer avec des liquides autres que de l'eau.
- Ne pas installer ou entreposer le filtre à une température en dessous ou près de 0 °C (32 °F). Lorsque l'eau est gelée, débrancher l'alimentation électrique au filtre et vider l'eau du boîtier du filtre. En hiver, retirer et ranger l'appareil dans un abri.
 - Protéger le filtre de la lumière directe du soleil. Les matériaux ont une stabilité élevée à la lumière du soleil mais les rayons directs peuvent le surchauffer et accélérer l'usure de l'isolateur.
 - Pour éviter la surchauffe, ne pas placer d'objets sur le filtre.
 - Cet appareil ne devrait pas être placé à un endroit où il pourrait tomber dans l'eau. Ne pas l'installer dans un secteur inondable ou bien où l'eau peut s'accumuler. Il devrait être placé à au moins 1 m/3,2 pi du bord du bassin, dans un endroit sec et protégé et avec suffisamment de ventilation autour : s'assurer qu'il y a assez d'espace autour pour l'entretien.
- IMPORTANT – La pression maximale de fonctionnement est 0,04 MPa (0,4 bar ou 5,8 psi). Ne pas brancher le filtre à moteur aux conduites principales d'eau.**
- Ne pas essayer d'ouvrir la manette de blocage du couvercle (O) quand la pompe et le filtre fonctionnent. Le loquet de la manette est muni d'une pièce de sécurité en métal pour empêcher l'ouverture accidentelle.
- IMPORTANT** – Le raccordement électrique doit correspondre aux données sur l'étiquette. Ne pas brancher le filtre s'il n'est pas complètement et correctement assemblé. Ne pas le faire fonctionner à sec. Le filtre doit toujours être entièrement rempli d'eau lorsqu'il est en marche.
- Si une rallonge électrique est nécessaire, s'assurer que le raccord est étanche et antipoussiére. Il faut utiliser un cordon électrique d'un calibre suffisant. Un cordon de moins d'ampères ou de watts que le calibre de l'appareil peut surchauffer. Le cordon doit être placé

de façon à éviter que quelqu'un trébuche. Le raccordement devrait être effectué par un électricien qualifié.

- MISE EN GARDE — Fournir l'électricité à l'aide d'un disjoncteur différentiel (ou interrupteur de défaut à la terre) ayant un courant résiduel ne dépassant pas 30 mA. La prise de courant dans laquelle on branche le cordon d'alimentation devrait être protégée par un abri étanche et située à au moins 2 m du bassin.**

MISE EN GARDE – Ne pas enfouir le cordon électrique. Le placer de façon à minimiser les dommages que pourraient causer les tondeuses à gazon, les tailleuses de haies et d'autre équipement. Des installations permanentes à l'alimentation principale (câblage) doivent être conformes à la réglementation de l'autorité locale qui peut stipuler l'utilisation de conduits de plastique ou de métal pour protéger le câble.

CONSERVER CES INSTRUCTIONS

INSTRUCTIONS SPÉCIALES POUR LES ÉTATS-UNIS ET LE CANADA SEULEMENT.

MISE EN GARDE – Risque de choc électrique – Cet appareil utilise un câble de trois noyaux et doit être mis à la terre. Il est équipé d'une fiche de mise à la terre. Afin de réduire le risque de choc électrique, on doit s'assurer qu'il est branché uniquement à une prise de mise à la terre convenable.

Contenu

Avant de commencer, vérifier que les articles suivants sont inclus dans la boîte :

- 1 filtre Pressure-Flo
- 1 Lampe UV-C, pas installée
- 3 blocs de mousse (PF 700/PF 2500), 4 blocs de mousse (PF 1400/PF 5000 et PF 2100/PF 8000), 5 blocs de mousse (PF 3200/PF 12000)
- Masse filtrante biologique (sauf PF 700/PF 2500 UVC)
- 1 bague d'étanchéité pour le couvercle (P), fournie dans un sac de polyéthylène séparé
- 3 raccords universels auto-bloquants (H) pour des tuyaux de diamètres de 19, 25 et 32 mm (3/4", 1", et 1 1/4")
- 1 bouchon hermétique auto-bloquant (I)
- Manuel d'instructions
- Verrou de sécurité (Z)

Utilisation prévue

Pressure-Flo est un filtre pressurisé muni d'un stérilisateur UV-C intégré conçu pour fournir une filtration mécanique et biologique aux bassins ornementaux extérieurs d'eau douce dont la température varie de +4 °C à 35 °C (+39,2 °F à 95 °F), et avec ou sans poissons. La **filtration mécanique** vise à bloquer et à accumuler des débris et des déchets provenant du bassin. La **filtration biologique** a pour but de transformer les sous-produits toxiques du métabolisme des poissons et les autres déchets organiques en substances beaucoup moins nocives. La **filtration UV-C** sert à empêcher la prolifération d'algues.

Fonctionnement des filtres Pressure-Flo

Les filtres Pressure-Flo sont conçus pour fournir trois types importants de filtration essentiels pour garder l'eau du bassin claire et saine : filtration mécanique et biologique et stérilisation UVC. Les filtres travaillent parallèlement à une pompe qui traite les solides. Pour de meilleurs résultats, utiliser une pompe de circulation Max-Flo Laguna. Le filtre est branché à la sortie d'eau d'une pompe et l'eau entre dans le filtre par l'entrée d'eau (X). Elle est alors forcée à travers la **filtration mécanique** composée de blocs de mousse qui arrêtent et retiennent la saleté et les débris. Ensuite, l'eau atteint le module de **filtration biologique*** qui entre en contact avec des bactéries utiles. Enfin, l'eau débarrassée des saletés passe le long de la lampe **UV-C**, où elle est exposée aux rayons ultraviolets qui empêchent la prolifération d'algues. L'eau retourne ensuite dans le bassin à travers la sortie d'eau (W).

*Le filtre Pressure-Flo 700/Pressure-Flo 2500 UVC n'a pas de module de filtration biologique.

Lavage à contre-courant

Au cours de l'opération, de gros débris sont emprisonnés à la surface des blocs de mousse. Il en résulte que, à plus ou moins brève échéance, selon la qualité de l'eau dans le bassin, la surface extérieure des blocs de mousse bloquera et empêchera une filtration adéquate à cause d'un débit réduit. Le débit

d'eau limité à travers les blocs de mousse réduit l'efficacité des filtrations biologique et UV-C, ce qui peut être facilement détecté grâce à l'indicateur de nettoyage (U).

Les filtres Pressure-Flo ont un système unique de lavage à contre-courant qui nettoie entièrement toute la surface des blocs de mousse de la filtration mécanique. Le nettoyage complet peut être effectué facilement en quelques minutes sans avoir à ouvrir l'appareil. Le nettoyage assurera que le filtre fournira un rendement optimal pour beaucoup de jours. Bien que le lavage à contre-courant prolonge la période entre chaque entretien, un nettoyage en rofondeur de l'appareil est nécessaire périodiquement. Voir ***Nettoyage et entretien du filtre Pressure-Flo*** pour plus de détails.

Indicateur de nettoyage

Cet appareil est équipé d'un indicateur de nettoyage (U) vous permettant de savoir quand le filtre a besoin d'un lavage à contre-courant ou d'un nettoyage. La hauteur de l'indicateur rouge est approximativement proportionnelle au niveau de blocage du filtre. Lorsque l'indicateur rouge est bas, le filtre est propre. Quand l'indicateur rouge a atteint sa hauteur maximum, le filtre a besoin de nettoyage.

L'indicateur de nettoyage peut être modifié par de nombreuses variables comme la hauteur de la cascade et le rendement de la pompe. Les caractéristiques d'opération indiquées dans le tableau ci-dessous (***Comment choisir le bon filtre Pressure-Flo et la pompe Max-Flo adéquate à votre bassin***) ont été calibrées selon des applications précises. Si ces dernières varient, les résultats seront légèrement différents.

Comment choisir le bon filtre Pressure-Flo et la pompe Max-Flo adéquate à votre bassin

À l'aide du tableau suivant, choisir la bonne combinaison de pompe Max-Flo Laguna et de filtre Pressure-Flo conformément à la dimension de votre bassin et à la qualité de l'eau qu'il contient. En raison du nombre élevé de variables, les recommandations suivantes sont offertes seulement comme directives générales.

120V/60HZ		PF 700	PF 1400	PF 2100	PF 3200
230-240V/50HZ		PF 2500	PF 5000	PF 8000	PF 12000
Faible population de poissons à l'ombre	Litres Gal. U.S.	1 800 475	3 500 925	5 500 1 456	8 000 2 113
Faible population de poissons sous la lumière directe du soleil	Litres Gal. U.S.	1 800 475	3 500 925	5 500 1 456	8 000 2 113
Population élevée de poissons à l'ombre	Litres Gal. U.S.	2 500 660	5 000 1 320	8 000 2 113	12 000 3 170
Population élevée de poissons sous la lumière directe du soleil	Litres Gal. U.S.	1 250 330	2 500 660	4 000 1 057	6 000 1 585
Pompe Max-Flo Laguna recommandée*	230-240 V	MF2200 (MF3500)	MF3500	MF6000	MF7500
Pompe Max-Flo Laguna recommandée*	120 V	MF600 (MF900)	MF900	MF1500	MF2000
Longueur du tuyau recommandée**	m pi	4 13	5 13	5,5 18	6 19
Diamètre minimum du tuyau pour obtenir le rendement ci-dessus	po mm	1 1/4 32	1 1/4 32	1 1/4 32	1 1/4 32
Hauteur de la colonne recommandée pour obtenir le rendement ci-dessus	cm po	60 24	60 24	100 39	100 39

- L'entretien du filtre sera plus fréquent durant les mois chauds d'été
- * S'il n'y a pas de cascade, vous pouvez choisir la pompe indiquée entre parenthèses. Si l'application inclut une cascade plus élevée que le maximum indiqué, choisir une grosse pompe
- ** Pour référence seulement. Le débit final dépend de nombreux facteurs tels que la longueur et le diamètre du tuyau, les plis ou l'entortillement des tuyaux, et la hauteur des cascades

Faible population de poissons = poissons rouges seulement, moins de 5 cm/1,9 po par 100 litres/26 gal. U.S.

Population élevée de poissons = koïs ou poissons rouges, plus de 5 cm/1,9 po par 100 litres/26 gal. U.S.

Installation

Positionnement du filtre

Choisir un positionnement convenable pour votre filtre Pressure-Flo en gardant à l'esprit les recommandations suivantes :

- S'assurer que le filtre est placé de sorte qu'il ne soit pas entièrement recouvert d'eau et à l'abri de l'exposition directe du soleil.
- Placer le filtre en surface ou dans le sol, en laissant le collier de serrage à 5 cm (2 pouces) au-dessus du sol au minimum.
- Afin d'éviter toute surchauffe, ne pas couvrir le filtre.
- Placer le filtre à un 1 mètre (3,2 pieds) du rebord du bassin au minimum et s'assurer qu'il ne

pourra jamais tomber dans l'eau.

- Faire en sorte d'avoir aisément accès au couvercle de l'appareil pour son entretien.
- Ne pas faire fonctionner le filtre à des pressions d'eau supérieures à 0,4 bar ou 5,8 psi. Ne jamais brancher le filtre sur le réseau public de distribution de l'eau.
- Orienter le filtre de sorte que l'entrée d'eau (X), la sortie d'eau (W) et l'orifice d'évacuation (T) des eaux usées soient positionnés convenablement afin d'éviter que les tuyaux se plient.

Branchement des tuyaux

Le filtre Pressure-Flo requiert un branchement de trois tuyaux (non inclus) : un pour l'entrée d'eau de l'appareil (depuis la pompe du bassin), un autre pour la sortie d'eau qui emmène l'eau filtrée dans le bassin, et un dernier qui servira à évacuer les eaux usées traversant le filtre à l'extérieur du bassin pendant son entretien.

Lors du choix et de l'installation des tuyaux en vue de l'application voulue, maximiser le débit d'eau utilisable en choisissant les diamètres les plus grands et les longueurs les plus courtes possibles afin d'éviter que les tuyaux se plient ou se coincent.

Les filtres Pressure-Flo comportent des raccords universels auto-bloquants (H), grâce auxquels on pourra effectuer un branchement et un débranchement rapides et faciles des tuyaux. Brancher les tuyaux souples aux raccords auto-bloquants et les maintenir en place avec les colliers de serrage adéquats (non inclus).

IMPORTANT – Les raccords auto-bloquants universels (H) permettent le branchement de tuyaux souples de différents diamètres, mais il est important d'éliminer les bouts inutilisables, de diamètre inférieur, susceptibles de freiner le débit.

Une fois que les tuyaux souples sont solidement branchés aux raccords auto-bloquants, on peut alors débrancher ces tuyaux de l'appareil en appuyant simplement sur le bouton du raccord auto-bloquant et en tirant. Pour fixer les raccords auto-bloquants sur le filtre, les insérer dans les prises mâles situées sur le couvercle de l'appareil. Puis, s'assurer que le bouton du raccord est complètement dégagé.

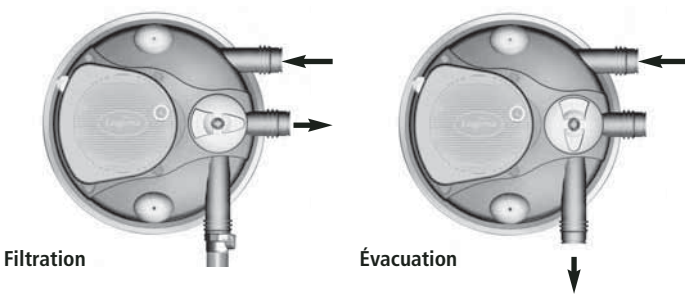
Entrée d'eau (X) : l'entrée d'eau correspond à l'endroit où l'eau entre dans le filtre Pressure-Flo. Il suffit de relier la sortie d'une pompe Max-Flo Laguna qui traite les matières solides à l'entrée d'eau du filtre Pressure-Flo (X). Pour cela, employer un tube à chenilles Laguna. La pompe fait circuler les eaux usées depuis le bassin jusqu'au filtre Pressure-Flo.

Sortie d'eau (W) : la sortie d'eau renvoie l'eau filtrée dans le bassin lorsque le filtre est utilisé en mode de filtration. Le tuyau branché à la sortie d'eau peut être mis directement dans le bassin ou servir à créer un cours d'eau ou une cascade. La sortie d'eau est activée quand la commande de sélection (V) est orientée vers la sortie d'eau (W) (mode de filtration). L'extrémité du tuyau de sortie devrait être placée aussi loin que possible de l'entrée de la pompe afin de maximiser la circulation de l'eau dans le bassin.

Orifice d'évacuation (T) : l'orifice d'évacuation correspond à l'endroit où passent les eaux usées provenant du filtre lorsqu'on utilise le lavage à contre-courant. Brancher un tuyau à l'orifice d'évacuation pour laisser les eaux usées sortir du filtre et s'écouler dans les égouts ou dans votre jardin. On active cet orifice en positionnant la commande de sélection (V) sur l'orifice d'évacuation (T) (mode d'évacuation).

IMPORTANT – pendant le « mode de filtration » normal, fermer l'orifice d'évacuation (T) en se servant du capuchon hermétique à blocage rapide (I).

TRUC : Les eaux usées de bassin sont riches en nutriments et dépourvues de chlore. Elles sont particulièrement indiquées pour l'arrosage de votre jardin.



Démarrage et fonctionnement du filtre

IMPORTANT! – Avant le premier démarrage et tous ceux d'après, vérifier les points suivants :

- Avant le premier démarrage, il est nécessaire de mettre en place la bague d'étanchéité du couvercle (P), fournie individuellement dans un sac en polyéthylène. Il faut insérer cette bague convenablement dans sa cuvette située dans la partie supérieure du boîtier du filtre (Fig. 1).
- Avant le premier démarrage, il est nécessaire d'installer la lampe UV-C et d'effectuer l'essai humide du filtre. Consulter la section « Changement de la lampe UV-C et nettoyage du manchon de quartz » pour des instructions détaillées.
- La masse filtrante biologique doit être placée dans la cuve du filtre tel qu'il est indiqué sur l'illustration (sauf Pressure-Flo 2500 UV-C)(Fig. 2).
- Vérifier que le couvercle (G) est verrouillé solidement avec la manette de blocage (O) et que la bague d'étanchéité du couvercle (P) est correctement positionnée dans sa cuvette.

IMPORTANT : Avant d'utiliser la manette de blocage du couvercle (O), on doit appuyer sur le couvercle (G) jusqu'à ce que l'espace entre le couvercle et la cuve du filtre soit éliminé. La manette de blocage doit être verrouillée avec la tige métallique de sécurité (Z) insérée convenablement dans la fente du verrou. **MISE EN GARDE** : Faire attention de ne pas pincer vos doigts ni le cordon électrique, en verrouillant la manette de blocage. Un cadenas (non inclus) peut être inséré dans le trou du bas de la tige métallique de sécurité (Z) pour verrouiller.

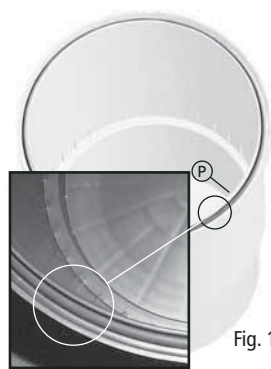


Fig. 1

La commande de sélection (V) doit être réglée sur la position « mode de filtration ». Elle doit être dirigée vers la sortie d'eau (W). La soupape de sélection doit être tournée complètement à 90°; jamais dans des positions intermédiaires.

S'assurer que tous les tuyaux ont été solidement raccordés au filtre et placés dans leur position finale. Vérifier que la section mâle de tous les raccords auto-bloquants est munie d'une bague d'étanchéité en caoutchouc (aa).

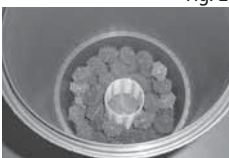
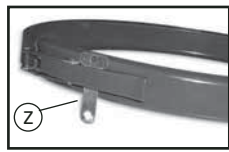


Fig. 2

IMPORTANT : Pendant le « mode de filtration » normal, fermer l'orifice d'évacuation (T) en utilisant le capuchon hermétique auto-bloquant (I). Veiller toujours à ce que ce bouchon soit verrouillé solidement (bouton-poussoir entièrement dégagé).



ATTENTION : Ne pas faire fonctionner la lampe UV-C (B) si l'eau ne circule pas dans l'appareil.

Après les vérifications énumérées ci-dessus, procéder comme suit :

- 1) Mettre la pompe en marche et laisser fonctionner le filtre pendant quelques minutes afin de vérifier qu'il n'y a aucune fuite d'eau.
- 2) Si tout va bien et que l'eau circule régulièrement dans l'appareil, brancher la lampe UV-C (B) du filtre Pressure-Flo à l'alimentation principale. Le témoin (R) émet un scintillement bleu quand la lampe UV-C fonctionne; cette lumière se voit bien après le crépuscule. Laisser le filtre fonctionner la journée entière et si possible toute l'année, dans la mesure où le gel n'empêche pas l'eau de circuler dans l'appareil.

Lavage à contre-courant

Lorsque la partie superficielle du bloc de mousse est encrassée, le lavage à contre-courant rétablit rapidement et efficacement le fonctionnement du filtre sans qu'il soit nécessaire d'ouvrir l'appareil. Un lavage par semaine est recommandé ou chaque fois que l'indicateur de nettoyage (U) signale que le filtre est encrassé, sale, ou qu'il évacue de l'eau trouble.

Si le bassin est très sale pendant les premières semaines d'utilisation du filtre, il peut nécessiter des lavages plus fréquents.

Procéder alors comme suit :

- 1) Enlever le bouchon hermétique auto-bloquant (I) de l'orifice d'évacuation (T). **ATTENTION** : Un léger débit d'eau sera évacué.
- 2) Brancher un tuyau d'évacuation à l'orifice d'évacuation (T) et s'assurer qu'il évacuera l'eau sale à l'endroit désiré.
- 3) Régler la commande de sélection (V) en mode d'évacuation (orienter le sélecteur précisément vers l'orifice d'évacuation (T)).
- 4) Glisser les deux poignées de lavage (S) vers le haut et vers le bas. Ce mouvement pousse deux lames de nettoyage frottant le long des blocs de mousse pour déloger les débris et les laisser en suspension sur la paroi du filtre. L'eau chargée des débris en suspension est forcée vers l'extérieur à travers l'orifice d'évacuation (T) qui est directement relié à la paroi du filtre. Procéder pendant plusieurs minutes jusqu'à ce que de l'eau claire sorte du tuyau d'évacuation.

ATTENTION : Ce mécanisme de nettoyage fait appel à l'eau du bassin. Il faut prendre cet aspect en considération lorsqu'on utilise cette fonction. Après le nettoyage, remplir le bassin au niveau d'eau désiré.

- 5) Tourner la commande de sélection (V) au mode de filtration (le sélecteur est dirigé complètement vers la sortie d'eau (W)). Le filtre est maintenant en mode de filtration normal. De l'eau verte sortant pendant quelques secondes est un phénomène normal.
- 6) Fermer l'orifice d'évacuation (T) à l'aide du bouchon hermétique auto-bloquant (I). S'assurer que le bouchon est solidement en place (le bouton-poussoir doit être complètement soulevé).

Si le filtre est toujours bloqué à la fin de cette opération, nettoyer le bloc de mousse et la masse filtrante biologique tel qu'il est expliqué ci-dessous.

Nettoyage et entretien du filtre Pressure-Flo

MISES EN GARDE :

• **Ne pas tenter de desserrer la manette de blocage du couvercle (O) et de l'ouvrir lorsque la pompe et le filtre sont en marche. Le verrou de la manette de blocage du couvercle comporte une tige métallique de sécurité visant à prévenir toute ouverture accidentelle.**

- **NE PAS ESSAYER DE REGARDER LA LAMPE LORSQU'ELLE EST ALLUMÉE! Une exposition directe aux rayons ultraviolets est nuisible aux yeux et à la peau.**
- **La lampe UV-C (B) et le manchon de quartz (C) sont en verre. Il faut manipuler toutes les pièces avec soin.**
- **Vous assurer que les pièces internes électriques de l'appareil sont sèches avant, pendant et après les manipulations d'entretien.**
- **La commande de sélection (V) ne fait que diriger l'eau; elle ne l'arrête pas.**

Nettoyage du bloc de mousse et de la masse filtrante biologique

Lorsque le lavage à contre-courant ne donne pas les résultats escomptés, ou alors au moins une fois par saison, il peut s'avérer nécessaire de laver à fond les blocs de mousse (M) ou, éventuellement, de les changer. Des nettoyages plus fréquents sont nécessaires pendant les chaudes périodes de l'été.

Au cours de cette opération, la masse filtrante biologique peut également faire l'objet d'un nettoyage ou d'un changement (sauf pour Pressure-Flo 700 et 2500 UVC).

- 1) Éteindre la lampe UV-C (B) en débranchant la fiche de l'alimentation principale.
- 2) Éteindre la pompe qui alimente le filtre Pressure-Flo.
- 3) Débrancher tous les tuyaux de l'appareil en libérant les raccords auto-bloquants (appuyer sur le bouton-pression et tirer).
- 4) Soulever lentement les poignées de lavage (S) jusqu'à leur hauteur maximale au-dessus du filtre.
- 5) Enlever la tige de sécurité de la manette métallique de blocage (O). Déverrouiller cette manette.
- 6) Enlever le couvercle (G) en soulevant lentement les poignées de lavage (S) ou en ouvrant doucement par les côtés à l'aide d'un tournevis approprié à tête plate. **ATTENTION** : Ne pas forcer les tiges de chaque côté pour ne pas endommager le filtre.

ATTENTION : Le couvercle comporte le module UV-C avec sa lampe et le manchon de quartz, tous les deux en verre. MANIPULER TOUTES LES PIÈCES AVEC SOIN!

- 7) Vous avez alors accès aux blocs de mousse (M). Enlevez-les tous en même temps en soulevant le tube intérieur grillagé et le plateau de soutien des blocs de mousse (N).
- 8) Sortir les blocs de mousse (M) du cône et de son support (N) et les rincer avec de l'eau du bassin ou les remplacer au besoin.

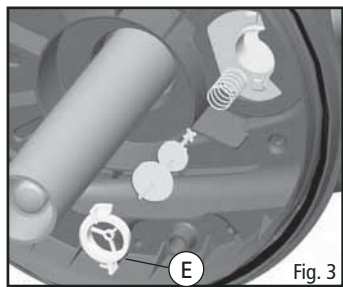


Fig. 3

- 9) Rincer la masse filtrante biologique située dans la section inférieure de la cuve du filtre (Q) avec de l'eau du bassin ou la remplacer, au besoin. Pressure-Flo 2500 UV-C n'a pas de module de masse filtrante biologique.

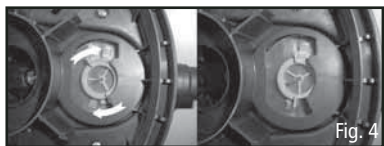


Fig. 4

- 10) Nettoyer la cuve du filtre (Q) avec de l'eau, en particulier autour du bord supérieur là où est posée la bague d'étanchéité du couvercle (P). Nettoyer le couvercle du filtre (G) avec de l'eau.
- 11) Au besoin, nettoyer l'indicateur de nettoyage (U) après l'avoir désassemblé comme suit : 1) enlever la bride de retenue (E) en la faisant tourner en sens inverse des aiguilles d'une montre, 2) retirer l'indicateur et son ressort. Rincer toutes les pièces dans l'eau et les réassembler avec soin (Fig. 3 et Fig.4).
- 12) Inspecter et nettoyer les deux lames pour la mousse (L) et les tiges. Au besoin, remplacer les lames par des nouvelles. Chaque lame peut facilement être détachée de la tige en dévissant la vis au milieu.
- 13) Replacer les blocs de mousse et la masse filtrante biologique dans leur position originale. Vérifier que les blocs de mousse sont convenablement empilés et sans espace entre eux.
- 14) Réassembler l'appareil avec soin. S'assurer que la masse filtrante biologique ne perturbe pas le plateau de soutien (N) et qu'il est remis en état correctement.
- 14) Le filtre est maintenant prêt pour le démarrage. Lire et suivre toutes les instructions sous **Démarrage, fonctionnement du filtre** et sous **Lavage à contre-courant**.

NE JAMAIS utiliser ni savon ni détergent pour le nettoyage. Toute trace peut polluer le bassin et endommager des tissus sensibles des poissons.

Changement de la lampe UV-C (B) et nettoyage du manchon de quartz (C)

Changement de la lampe UV-C (B) : afin de maintenir un rendement optimal, la lampe UV-C (B) devrait être remplacée chaque année. Le temps idéal est le printemps, au cours de l'entretien du bassin précédant la saison.

Nettoyage du manchon de quartz (C) : même si seulement de l'eau filtrée passe à travers la section UV-C du filtre Pressure-Flo, le manchon de quartz (C) peut être recouvert de tartre, ce qui diminuera le rendement de la lampe UV-C (B). Il est recommandé de vérifier et de nettoyer régulièrement le manchon de quartz. La fréquence du nettoyage dépend de la qualité de l'eau dans le bassin.

Afin d'accéder à la lampe UV-C (B) et au manchon de quartz (C), procéder comme suit :

- 1) Éteindre la lampe UV-C en débranchant la fiche de l'alimentation principale.
- 2) Éteindre la pompe qui fait fonctionner le filtre Pressure-Flo.
- 3) Débrancher tous les tuyaux de l'appareil en dégageant les raccords auto-bloquants (pousser le bouton « Press » et tirer).
- 4) Retirer le couvercle UV-C (A) (Fig. 5) du filtre en dévissant les quatre vis (J) qui fixent le couvercle UV-C au couvercle du filtre (G).
- 5) À cette étape, il est possible de nettoyer le manchon de quartz (C), s'il y a lieu. **Pour nettoyer le manchon de quartz, utiliser simplement un linge doux et humide. En cas de saleté tenace, on peut employer un peu de vinaigre. Ne pas se servir de détergents ni d'autres nettoyants chimiques.**

S'il n'est pas nécessaire de changer la lampe UV-C, se rendre tout de suite au point n° 10.

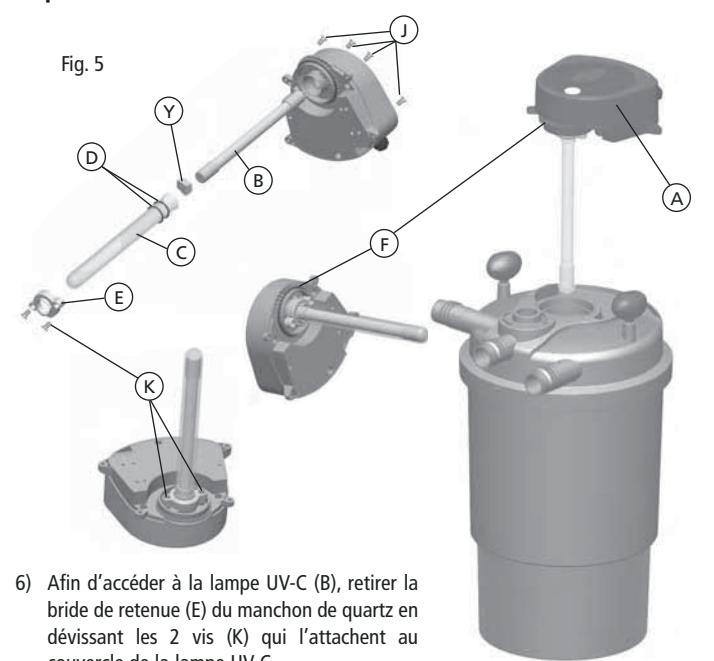


Fig. 5

- 6) Afin d'accéder à la lampe UV-C (B), retirer la bride de retenue (E) du manchon de quartz en dévissant les 2 vis (K) qui l'attachent au couvercle de la lampe UV-C.

- 7) Tirer la lampe UV-C (B) en dehors de sa douille (si ce n'est pas le premier démarrage) et la remplacer par une nouvelle. Les tiges métalliques à l'extrémité de la lampe doivent être orientées correctement. Si la lampe n'entre pas bien, la faire tourner de 90°. **MISE EN GARDE - NE PAS ESSAYER DE REGARDER LA LAMPE LORSQU'ELLE EST ALLUMÉE!** Une exposition directe aux rayons ultraviolets est nuisible aux yeux et à la peau. **Ne pas faire d'essai de la lampe UV-C à moins que le filtre soit complètement assemblé et fermé. IMPORTANT** : Utiliser des pièces de rechange originales Laguna seulement. Consulter la liste des pièces de rechange pour obtenir leur numéro précis.

- 8) Replacer le manchon de quartz (C) et les deux bagues d'étanchéité (D) dans leur position originale. **IMPORTANT** – L'amortisseur de la lampe (Y) à l'intérieur du manchon de quartz doit être placé entre la lampe et le bas du manchon de quartz. Ne pas l'enlever. **IMPORTANT** – Les deux bagues d'étanchéité (D) du manchon de quartz (C) doivent être remplacées chaque fois que le filtre est ouvert.

- 9) Placer la bride de retenue (E) dans sa position originale et la fixer avec les deux vis (K).
- 10) S'assurer que le manchon de quartz (C) n'est pas endommagé. Vérifier que toutes les pièces sont présentes et ont été réassemblées correctement. En cas de doute, consulter votre détaillant Laguna.

- 11) Remettre le couvercle de la lampe UV-C (A) sur le couvercle du filtre (G), en s'assurant que la bague d'étanchéité intérieure (F) est placée correctement avant de fixer le couvercle de la lampe UV-C avec les vis (J).

- 12) Fixer le couvercle de la lampe UV-C (A) au couvercle du filtre, en remettant en état et en serrant les 4 vis (J). **MISE EN GARDE – Risque de choc électrique : avant de mettre la lampe en marche, s'assurer que TOUTES les bagues d'étanchéité sont de retour à leur position originale, que TOUTES les vis sont serrées et que le filtre n'a pas été endommagé. Avant de brancher le filtre à l'alimentation électrique, effectuer un essai humide du filtre (voir ci-dessous).**

- 13) Le filtre est maintenant prêt pour le démarrage. Lire et suivre toutes les instructions sous **Démarrage, fonctionnement du filtre** et sous **Lavage à contre-courant**.

Entreposage pour l'hiver

L'appareil doit être protégé du gel. Durant l'hiver, on peut l'éteindre. On devrait alors le vider de l'eau qu'il contient, le retirer de son installation et l'entreposer dans un endroit sec et à l'abri des intempéries. Il est conseillé de garder le couvercle du filtre ouvert durant l'entreposage.

Essai humide du filtre

Une fois le filtre complètement assemblé, on doit effectuer un essai humide avant de le brancher à l'alimentation électrique. Cet essai doit être répété chaque fois que la lampe et le manchon de quartz sont changés ou désassemblés.

- 1) Installer le filtre en suivant toutes les instructions mais **NE PAS** le brancher. Connecter la pompe et la laisser fonctionner pendant 24 heures.
- 2) Après 24 heures, débrancher la pompe et retirer le couvercle UV-C (A) du filtre en dévissant les quatre vis (J). Ne pas désassembler plus de pièces.
- 3) Examiner l'intérieur du manchon de quartz (C) pour les fuites. Si vous voyez de l'eau dans le manchon de quartz et autour de la lampe, il ne faut PAS brancher le filtre à l'alimentation électrique mais plutôt l'apporter à un service autorisé Laguna ou chez un technicien qualifié pour ce type de vérification.

Si, au contraire, on ne voit pas d'eau à l'intérieur du manchon de quartz (C), on doit réassembler le filtre avec soin et l'utiliser normalement, selon cette Notice d'installation et d'entretien.

120V/60HZ		PF 700 UVC	PF 1400 UVC	PF 2100 UVC	PF 3200 UVC
230-240V/50HZ	*	PF 2500 UVC	PF 5000 UVC	PF 8000 UVC	PF 12000 UVC
Degré de protection		IP 55	IP 55	IP 55	IP 55
Dimension maximale de l'appareil*	mm	Ø285 - h350	Ø285 - h510	Ø365 - h525	Ø365 - h640
	po	Ø11,2 - h13,7	Ø11,2 - h20	Ø14,3 - h20,6	Ø14,3 - h25,2
Hauteur de la cuve du filtre	mm	230	385	400	500
	po	9	15,2	15,7	19,7
Puissance UV-C	W	11	11	20	25
Pression maximale applicable (hauteur maximale)	Bar	0,4	0,4	0,4	0,4
	PSI	5,8	5,8	5,8	5,8
Débit maximal suggéré	L/h	1 250	2 500	4 000	6 000
	gal. U.S.	330	660	1 057	1 585
Quantité de mousse	qté	3	4	4	5
Volume de la cuve (approx.)	Litres	10	17,5	31	40
	gal. U.S.	2,6	4,6	8,2	10,6
Quantité de la masse filtrante biologique	qté	Non applicable	80	160	220
Raccords d'entrée et de sortie d'eau		Raccords universels auto-bloquants : 3/4", 1", 1-1/4"/19, 25, 32 mm (1-1/4"/32 mm femelle)	Raccords universels auto-bloquants : 3/4", 1", 1-1/4"/19, 25, 32 mm (1-1/4"/32 mm femelle)	Raccords universels auto-bloquants : 3/4", 1", 1-1/4"/19, 25, 32 mm (1-1/4"/32 mm femelle)	Raccords universels auto-bloquants : 3/4", 1", 1-1/4"/19, 25, 32 mm (1-1/4"/32 mm femelle)

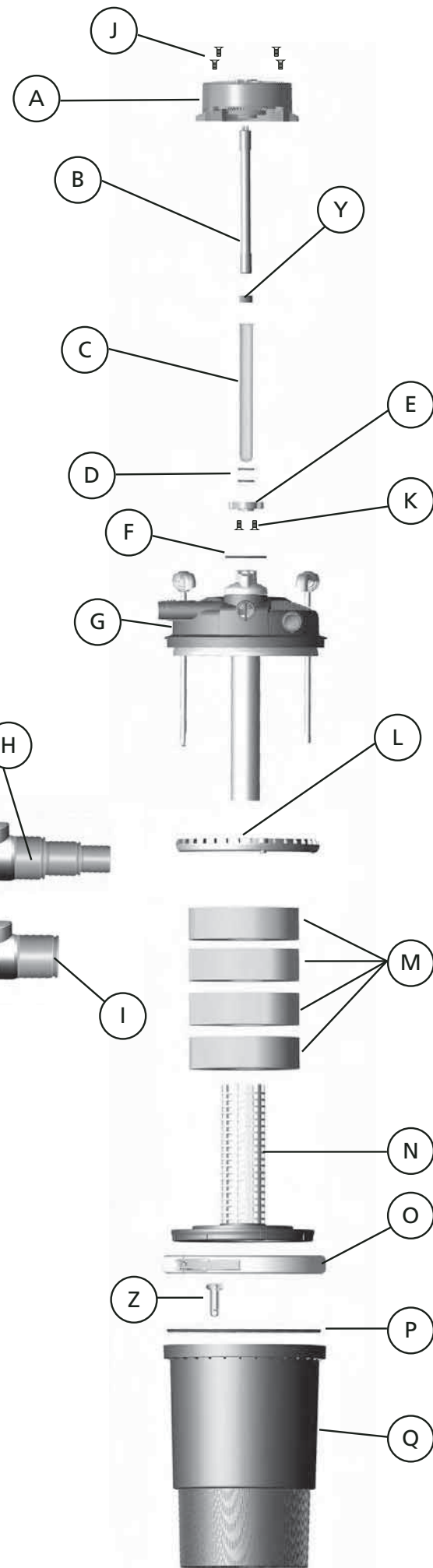
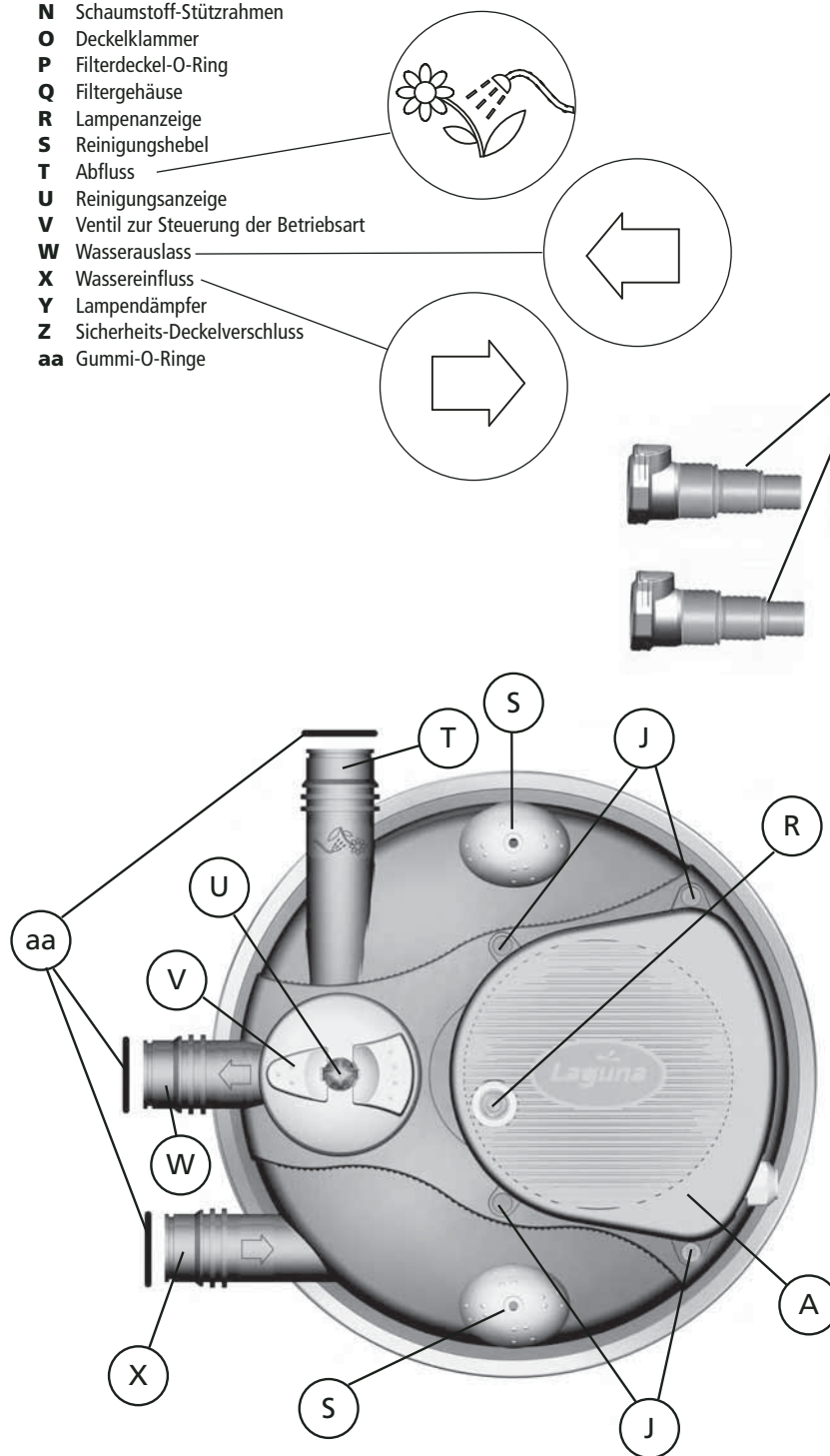
Pièces de rechange					
120V/60HZ		PF 700 UVC	PF 1400 UVC	PF 2100 UVC	PF 3200 UVC
230-240V/50HZ	*	PF 2500 UVC	PF 5000 UVC	PF 8000 UVC	PF 12000 UVC
Lampe UV-C et deux bagues d'étanchéité	B	PT-1520	PT-1520	PT-1521	PT-1522
Manchon de quartz et deux bagues d'étanchéité	C D	PT-1524	PT-1524	PT-1525	PT-1526
Bagues d'étanchéité du manchon de quartz (2)	D	PT-1527	PT-1527	PT-1527	PT-1527
Bride de retenue du manchon de quartz	E	PT-1528	PT-1528	PT-1528	PT-1528
Bague d'étanchéité du couvercle de la lampe UV-C	F	PT-1530	PT-1530	PT-1530	PT-1530
Raccord universel auto-bloquant	H	PT-640	PT-640	PT-640	PT-640
Bouchon hermétique auto-bloquant	I	PT-1543	PT-1543	PT-1543	PT-1543
Vis du couvercle de la lampe UV-C et vis de la bride du manchon de quartz (6)	J K	PT-1529	PT-1529	PT-1529	PT-1529
Lames de nettoyage des blocs de mousse (2)	L	PT-1513	PT-1513	PT-1514	PT-1514
Bloc de mousse (1)	M	PT-1510	PT-1510	PT-1511	PT-1511
Bague d'étanchéité du couvercle du filtre	P	PT-1535	PT-1535	PT-1536	PT-1536
Indicateur de nettoyage (bride/indicateur/ressort)	U	PT-1538	PT-1539	PT-1540	PT-1541
Biosphères	-	—	PT-1785	PT-1785	PT-1785
Bagues d'étanchéité en caoutchouc	aa	PT-743	PT-743	PT-743	PT-743

* Voir illustrations des produits

Gebrauchsanleitung auf Deutsch

Beim Lesen der Gebrauchsanleitung beziehen Sie sich bitte auf diese Zeichnungen.

- A UV-C Kopf
- B UV-C Lampe
- C Quarzröhre
- D O-Ringe
- E Rückhaltering
- F O-Ring
- G Filterdeckel
- H Universal-„Klick & Fertig“ Schnappverbinder
- I Dichtungskappe
- J Schrauben für den UV-C Kopf
- K Schrauben für die Quarzröhre
- L Reinigungsarme
- M Schaumstoff
- N Schaumstoff-Stützrahmen
- O Deckelklammer
- P Filterdeckel-O-Ring
- Q Filtergehäuse
- R Lampenanzeige
- S Reinigungshebel
- T Abfluss
- U Reinigungsanzeige
- V Ventil zur Steuerung der Betriebsart
- W Wasserauslass
- X Wassereinfluss
- Y Lampendämpfer
- Z Sicherheits-Deckelverschluss
- aa Gummi-O-Ringe



PRESSURE-FLO TEICHFILTER MIT INTEGRIERTER UV-C EINHEIT BEDIENUNGSANLEITUNG

Bitte vor Montage und Inbetriebnahme genau lesen.

WICHTIGE SICHERHEITSHINWEISE

WARNUNG: Um sich vor Verletzungen zu schützen, sollten die grundlegenden Sicherheitsvorkehrungen inklusive der folgenden beachtet werden:

1. LESEN UND BEFOLGEN SIE ALLE SICHERHEITSHINWEISE

und alle wichtigen Hinweise auf dem Gerät vor der Inbetriebnahme des Gerätes. Bei Nichtbeachtung kann dies zu Fischverlusten und/ oder Schäden an diesem Gerät führen.

2. GEFAHR – Um einen möglichen elektrischen Schlag zu vermeiden, sollten Sie besonders vorsichtig sein, weil bei der Benutzung dieses Teichgerätes Wasser verwendet wird.

Wenn eine der nachfolgenden Situationen eintritt, sollten Sie nicht versuchen, das Gerät selber zu reparieren, sondern dieses an eine autorisierte Laguna Kundendienststelle zur Reparatur geben oder das Gerät wegwerfen.

A. Dieses Produkt ist wetterfest aber NICHT tauchfähig. Tauchen Sie dieses Produkt nicht unter Wasser!

Wenn das Gerät ins Wasser fällt, NICHT danach greifen! Erst die Netzsteckverbindung lösen und dann das Gerät herausnehmen.

B. Überprüfen Sie vor dem Einbau, ob die Quarzröhre und die UV-C Lampe während des Transportes beschädigt wurden, da die UV-Lampe (B) und die Quarzröhre (C) aus Glas bestehen. Gehen Sie vorsichtig damit um. Fassen Sie die UV-Lampe nicht mit bloßen Händen an, da dies die Leistung mindert. Das Gerät nach dem Einbau sorgfältig überprüfen. Es darf nicht an das Stromnetz angeschlossen werden, wenn sich Wasser auf Teilen befindet, die nicht nass werden dürfen. Wenn elektrische Teile des Gerätes nass werden, lösen Sie sofort die Netzsteckverbindungen.

C. Kein Gerät mit beschädigtem Netzkabel oder beschädigtem Stecker benutzen oder wenn dieses nicht richtig funktioniert oder heruntergefallen oder anderweitig beschädigt wurde. **Die Netzschnur dieses Gerätes ist eine besondere Netzschnur: Wenn die Schnur beschädigt ist, sollte sie von einer autorisierten Laguna Kundendienststelle oder einer ähnlich qualifizierten Person ausgewechselt werden, um Gefahren zu vermeiden.** Niemals die Schnur durchschneiden.

D. Der in dieser UV-Lampe benutzte Starter ist äußerst langlebig und braucht keine Wartung. Wenn nötig, sollte er nur von einer autorisierten Laguna Kundendienststelle oder einer ähnlich qualifizierten Person ausgewechselt werden, um Gefahren zu vermeiden.

3. Dieses Gerät darf nicht von Kindern benutzt werden. Kinder müssen in der Nähe von Wasser stets gut beaufsichtigt werden. Dieses Gerät ist kein Spielzeug.

4. **ACHTUNG: SCHAUEN SIE NIEMALS IN EINE UV-LAMPE, WENN DIESE ERLEUCHTET IST.** Bei direkter Einwirkung von ultraviolettem Licht können Augen und Haut verletzt werden.

5. **WICHTIG – Ziehen Sie immer den Netzstecker oder trennen Sie dieses Gerät und alle anderen Geräte, die in dem Teich in Gebrauch sind, vom Stromnetz, bevor Sie die Hände in das Wasser halten, bevor Teile angebracht oder entfernt werden und während das Gerät installiert, gewartet oder angefasst oder wenn es nicht gebraucht wird. Nie am Kabel ziehen, um den Netzstecker aus der Steckdose zu ziehen, sondern Netzstecker umfassen und daran ziehen. Niemals das Gerät an dem Kabel hochziehen.**

6. **Dies ist ein Filter mit integriertem UV-Teichklärer für Süßwasserteiche im Garten.** Benutzen Sie das Gerät nur für den vorgesehenen Verwendungszweck.

- Benutzen Sie das Gerät nicht in Schwimmbecken oder in anderen Situationen, in denen sich Menschen im Wasser befinden.
- Dieses Produkt ist für eine Wassertemperatur konzipiert, die 35°C (95°F) nicht überschreitet.
- Benutzen Sie dieses Gerät nur zusammen mit Wasser und nicht mit anderen Flüssigkeiten.

7. Montieren oder lagern Sie das Gerät nicht an Stellen, an denen es Temperaturen von nahezu 0° C (32° F) oder weniger ausgesetzt ist. Wenn es friert, trennen Sie den Filter von der Stromversorgung und lassen Sie das Wasser aus dem Filterkanister ab. Im Winter entfernen Sie das Gerät und lagern es an einem geschützten Ort.

- Schützen Sie das Produkt ebenfalls vor direkter Sonneneinstrahlung. Das Material ist gegenüber Sonnenlicht sehr stabil. Jedoch können direkte Strahlen das Gerät überhitzen und den Verschleiß der Isolierung beschleunigen.
- Um eine Überhitzung zu vermeiden, stellen Sie keine Gegenstände auf den Filter.
- Dieses Produkt sollte so platziert werden, dass es nicht in das Wasser fallen kann. Montieren Sie es nicht an einem Ort, der überschwemmt werden oder an dem sich Wasser ansammeln könnte. Es sollte in einer Entfernung von mindestens 1 m / 3,2 ft zum Rand des Gartenteichs gestellt werden; an einem trockenen und geschützten Platz mit ausreichender Lüftung: Überprüfen Sie, ob genug Platz um das Gerät herum für eine Wartung zur Verfügung steht.

8. **WICHTIG – Der maximale Betriebsdruck darf nicht höher als**

0,04 Mpa (0,4 Bar) sein. Verbinden Sie unter Strom stehende Filter nicht mit dem Hauptwasserrohr.

9. Versuchen Sie nicht, die Deckelklammer (O) zu öffnen oder den Deckel abzunehmen, wenn die Pumpe und der Filter in Betrieb sind. Die Deckelklammer beinhaltet einen Sicherheits-Metalleinsatz, der eine versehentliche Öffnung verhindert.

10. **WICHTIG – Elektrische Verbindungen müssen mit den angegebenen Daten auf dem Etikett übereinstimmen.** Verbinden Sie den Filter nicht mit dem Stromnetz, solange der Filter nicht vollständig und richtig aufgebaut wurde. Benutzen Sie das Produkt nie ohne Wasser. Der Filter muss immer ganz mit Wasser gefüllt sein, wenn er in Betrieb ist.

11. Falls die Verwendung eines Verlängerungskabels erforderlich ist, überprüfen Sie, ob die Verbindung wasser- und staubdicht ist. Es ist ein Kabel mit einer angemessenen Leistungsstärke zu verwenden. Ein Verlängerungskabel mit einer kleineren Ampere- oder Wattzahl als das Gerät kann sich überhitzen. Achten Sie darauf, das Verlängerungskabel so zu verlegen, dass man nicht darüber stolpert oder es herauszieht. Die Verbindung sollte von einem gelernten Elektriker angebracht werden.

12. **WARNUNG – Versorgen Sie den Filter mit Strom durch eine Fehlerstrom-Schutzeinrichtung (FI-Schalter) mit einem gemessenen Differenzstrom von nicht mehr als 30mA. Die Steckdose, mit der das Kabel verbunden ist, sollte von einem wetterfesten Deckel geschützt und mindestens 2 m vom Gartenteich entfernt sein.**

WARNUNG – Graben Sie das Kabel nicht ein. Verlegen Sie das Kabel so, dass es so wenig wie möglich von Rasenmähern, Heckenscheren und anderen Gartengeräten beschädigt werden kann. Eine permanente Installation an das Bordnetz (feste elektrische Leitung) muss mit den Bestimmungen der örtlichen Behörden übereinstimmen, die evtl. den Gebrauch einer Plastik- oder Metallleitung vorsehen könnten, um das Kabel zu schützen.

13. BEWAHREN SIE DIESE ANLEITUNG AUF.

Inhalt

Bevor Sie beginnen, überprüfen Sie bitte, ob folgende Gegenstände in der Packung vorhanden sind:

- 1 Pressure-Flo Filter
- 1 UV-C Lampe, nicht installiert
- 3 Schaumstofffilter (PF 700/PF 2500), 4 Schaumstofffilter (PF 1400/PF 5000 & PF 2100/PF 8000), 5 Schaumstofffilter (PF 3200/PF 12000)
- Biologisches Medium (außer bei PF 700/PF 2500 UVC)
- 1 Filterdeckel-O-Ring (P); wird in einer separaten Plastiktasche geliefert
- 3 "Klick & Fertig" Schnappverbinder (H) für 3/4", 1" und 1-1/4" (19, 25, & 32 mm) dicke Schläuche
- 1 "Klick & Fertig" Dichtungskappe (I)
- Bedienungsanleitung
- Sicherheits-Deckelverschluss (Z)

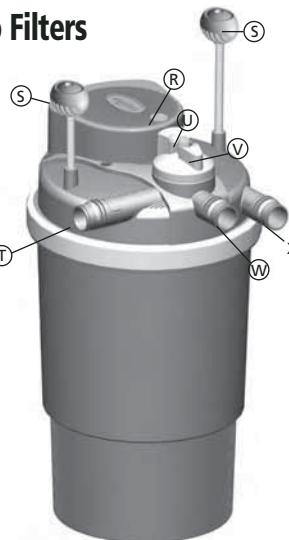
Verwendungszweck

Der Pressure-Flo Filter ist ein abgedichteter Druckfilter mit einem integrierten UV-C Teichklärer, der für eine mechanische und biologische Filterung in dekorativen Süßwasser-Gartenteichen mit einer Temperatur von +4°C bis zu 35°C (+39,2° bis 95° F) mit oder ohne Fische konzipiert ist. Der Zweck der **mechanischen Filterung** ist es, Ablagerungen und Abfallstoffe aus dem Teich aufzufangen und zu sammeln. Der Zweck der **biologischen Filterung** ist es, giftige Abfallprodukte aus dem Stoffwechsel der Fische und andere organische Abfallstoffe in weitläufiger weniger schädliche Substanzen zu verwandeln. Der Zweck der UV-C Filterung ist es, einzellige Schwebelagen zu beseitigen und das Vorkommen von einzelligen Schwebelagen zu verhindern.

Die Arbeitsweise des Pressure-Flo Filters

Pressure-Flo Filter sind für die Durchführung von drei wichtigen Filterfunktionen konzipiert, die unerlässlich für ein klares und gesundes Teichwasser sind: mechanische und biologische Filterung und eine UV-C Teichklärung.

Die Filter sind für die Arbeit hinter einer Pumpe für Feststoffe konzipiert. Die besten Ergebnisse werden mit einer Laguna Max-Flo Umwälzpumpe erzielt. Wenn der Filter mit dem Auslass der Pumpe verbunden ist, fließt das Wasser durch den Eintrittsanschluss (X). Es muss dann gezwungenermaßen durch die **mechanische Filter-Ebene** fließen, die aus Schaumstoffeinsätzen besteht, die Schmutz und Ablagerungen auffangen. Als nächstes fließt das Wasser durch die **biologische Filterkammer***, in der es mit Nutzbakterien in Berührung kommt. Am Ende fließt das schmutzfreie Wasser an der **UV-C Lampe (B)** vorbei, wo es ultravioletten Strahlen



ausgesetzt wird, die das Vorkommen von Schwebelagen vermindern und verhindern. Das Wasser fließt dann durch den Auslass (W) zurück in den Teich.

*Im Pressure-Flo 700/Pressure-Flo 2500 UVC ist die biologische Filterkammer nicht enthalten.

Rückspülssystem

Während des Betriebes sammeln sich grobkörnige Ablagerungen an der Oberfläche der Schaumstofffilter an. Früher oder später, abhängig von dem Zustand des Teiches, wird die äußere Oberfläche des Filters verstopfen und wird aufgrund eines verminderten Wasserdurchflusses eine ordentliche Filterung verhindert. Der begrenzte Wasserdurchfluss durch die Schaumstofffilter vermindert die Effektivität sowohl der biologischen als auch der UV-C Filterung. Dieser Zustand kann dank der Reinigungsanzeige (U) leicht erkannt werden.

Pressure-Flo Filter arbeiten mit einem einzigartigen **Rückspülssystem**, das die gesamte Oberfläche der mechanischen Schaumstofffilter vollständig reinigt. Der gesamte Reinigungsprozess kann einfach und praktisch innerhalb weniger Minuten von statten gehen, ohne dass die Einheit geöffnet werden muss. Die Reinigung stellt sicher, dass die Filterleistung über viele Tage hinweg optimal läuft. Obwohl das **Rückspülssystem** die Zeit zwischen den Wartungen verlängert, sind regelmäßige, gründliche Reinigungen der Einheit durchaus notwendig. Siehe **Reinigung und Wartung des Pressure-Flo** für weitere Informationen.

Reinigungsanzeige

Diese Einheit arbeitet mit einer Reinigungsanzeige (U), an der Sie erkennen können, wann der Filter eine Rückspülung oder eine Reinigung benötigt. Die Höhe des roten Anzeigers ist etwa proportional zu dem Grad der Verstopfung des Filters. Wenn der rote Anzeiger unten ist, ist der Filter sauber. Wenn der rote Anzeiger ganz aus dem Gehäuse hervortritt, muss der Filter gereinigt werden.

Die Reinigungsanzeige kann von vielen verschiedenen Komponenten beeinflusst werden, wie z.B. der Höhe eines Wasserfalls und der Pumpenleistung. Ihre Betriebseigenschaften wurden auf die dazugehörigen speziellen Betriebsbedingungen, die in der Tabelle unten (Die Auswahl der richtigen Pressure-Flo und Max-Flo Pumpe für Ihren Teich) aufgeführt werden, abgestimmt. Andere Betriebsbedingungen können zu abweichenden Ergebnissen führen.

Die Auswahl der richtigen Pressure-Flo und Max-Flo Pumpe für Ihren Teich

Gehen Sie nach der folgenden Tabelle vor. Wählen Sie für die Größe und die Bedingungen Ihres Teiches die richtige Zusammenstellung aus einer Laguna Max-Flo Pumpe und einem Pressure-Flo Filter aus. Aufgrund der vielen verschiedenen Konstellationen, gelten die folgenden Empfehlungen lediglich als allgemeiner Leitfadens.

120V/60HZ		PF 700	PF 1400	PF 2100	PF 3200
230-240V/50HZ		PF 2500	PF 5000	PF 8000	PF 12000
Viele Fische im Schatten	Liter US gal.	1800 475	3500 925	5500 1456	8000 2113
Wenige Fische im direkten Sonnenlicht	Liter US gal.	1800 475	3500 925	5500 1456	8000 2113
Wenige Fische im Schatten	Liter US gal.	2500 660	5000 1320	8000 2113	12000 3170
Viele Fische im direkten Sonnenlicht	Liter US gal.	1250 330	2500 660	4000 1057	6000 1585
Empfohlene Laguna Max-Flo Pumpe*	230-240V	MF2200 (MF3500)	MF3500	MF6000	MF7500
Empfohlene Laguna Max-Flo Pumpe*	120V	MF600 (MF900)	MF900	MF1500	MF2000
Empfohlene totale Schlauchlänge**	m	4	5	5.5	6
Minimum Schlauchdurchmesser für eine einwandfreie Leistung	mm	32	32	32	32
	inch	1-1/4	1-1/4	1-1/4	1-1/4
Empfohlene max. Wasserfallhöhe für eine einwandfreie Leistung	cm	60	60	100	100
	inch	24	24	39	39

Die Wartung des Filters sollte während der Sommermonate häufiger stattfinden

* Wenn ein höherer Wasserfall angelegt ist als das angegebene Maximum, wählen Sie eine stärkere Pumpe

** Totale Länge Einfluss und Auslass. Dies ist ein Beispiel: Die endgültige Durchflussrate hängt von vielen Komponenten ab, wie z.B. der Länge und dem Durchmesser des Schlauches, ob der Schlauch gebogen oder geknickt wurde und der Höhe des Wasserfalls

Wenige Fische = nur Goldfische, weniger als 5 cm / 1,9 Inch auf 100 Liter / 26 US Gallonen

Viele Fische = Kois oder Goldfische, mehr als 5 cm / 1,9 Inch auf 100 Liter / 26 US Gallonen

Montage

Lage des Filters

Wählen Sie einen passenden Ort für Ihren Pressure-Flo Filter. Achten Sie dabei auf die folgenden Empfehlungen:

- Stellen Sie den Pressure-Flo Filter an einen Ort, an dem er auf einem stabilen und waagerechten Untergrund steht und an dem er sicher vor Überschwemmungen ist und ausreichend Lüftung hat. Schützen Sie die Einheit vor direkter Sonneneinstrahlung.
- Er kann entweder auf den Boden gestellt oder eingegraben werden, so dass die Deckelklammern mindestens 5 cm / 2 Inches über der Erde liegen.
- Um eine Überhitzung zu vermeiden, darf der Filter nicht abgedeckt werden.
- Stellen Sie den Filter in einer Entfernung von mindestens 1 Meter / 3,2 ft vom Rand des Gartenteichs auf und stellen Sie sicher, dass er nicht in das Wasser fallen kann.
- Überprüfen Sie, ob Sie für eine Wartung jederzeit Zugang zu dem Deckel der Einheit haben.
- **Betreiben Sie den Filter mit einem Wasserdruck von weniger als 0,4 Bar oder einem Druck von 5,8 PSI. Verbinden Sie den Pressure-Flo Filter nie mit der öffentlichen Wasserversorgungsanlage.**
- Richten Sie den Filter so aus, dass der Wasser-Einfluss/Auslass und der Abfluss in die gewünschte Richtung zeigen, um Knicke in den Schläuchen zu vermeiden.

Schlauchverbindungen

Pressure-Flo Filter benötigen 3 Schläuche (nicht enthalten): einen am Einfluss in die Einheit (aus der Teichpumpe), einen am Auslass, aus dem das gefilterte Wasser zurück in den Teich geht und einen, um schmutziges Wasser während einer Wartung aus dem Filter an einer Stelle außerhalb des Teiches abzulassen.

Wenn Sie für Ihren Gebrauch einen Schlauch auswählen und montieren, maximieren Sie die potentielle Durchflussrate, indem Sie den dicksten und den kürzest möglichen Schlauch wählen und Knicke vermeiden.

Pressure-Flo Filter sind mit 3 Universal-„Klick & Fertig“ Schnappverbindern (H) ausgerüstet, was das Anbringen und Abziehen der Schläuche schnell und einfach macht. Verbinden Sie flexible Schläuche mit den Schnappverbindern und sichern Sie sie mit angemessenen Schlauchklemmen (nicht enthalten).

WICHTIG: Universal-„Klick & Fertig“ Schnappverbinder (H) gestatten die Verbindung zu verschiedenen dicken flexiblen Schläuchen; es ist jedoch wichtig, die weniger dicken, nicht gebrauchten Schlauchenden abzuschneiden, um eine Minderung der Durchflussrate zu vermeiden.

Wenn flexible Schläuche sicher mit den Schnappverbindern verbunden sind, können Sie die Schläuche von der Einheit trennen, indem Sie einfach den Schnappverschluss drücken und an den Schläuchen ziehen. Um Schnappverbinder an der Einheit anzubringen, stecken Sie sie auf den Stecker, der sich auf dem Deckel der Einheit befindet und überprüfen Sie, ob der Schnappverschluss-Hebel vollständig hervorsteht.

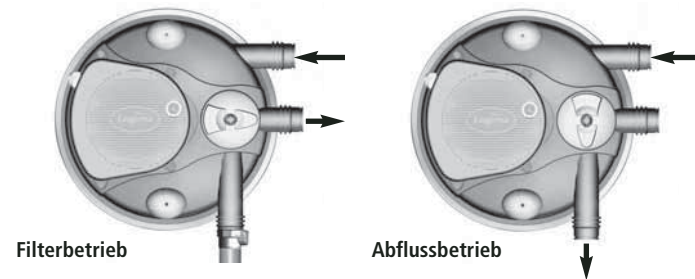
Wassereinfluss (X): Der Wassereinfluss befindet sich dort, wo das Teichwasser in den Pressure-Flo Filter fließt. Verbinden Sie einfach den Auslass einer Laguna Max-Flo Pumpe für Feststoffe mit dem Einfluss des Pressure-Flo (X), indem Sie einen Laguna Schlauch benutzen, der sich nicht knicken lässt. Die Pumpe bewegt schmutziges Wasser aus dem Teich zu dem Pressure-Flo Filter.

Wasserauslass (W): Wenn der Filter als Filter arbeitet, befördert der Wasserauslass gefiltertes Wasser zurück in den Teich. Schläuche, die mit dem Wasserauslass (W) verbunden sind, können direkt in den Teich gelegt werden oder können so benutzt werden, dass sie einen Wasserlauf oder Wasserfall entstehen lassen. Dieser Auslass wird aktiviert, wenn das Ventil zur Steuerung der Betriebsart (V) in Richtung des Wasserauslasses (W) zeigt (Filterbetrieb). Das Ende des Auslassschlauches sollte so weit wie möglich von dem Pumpeneinfluss entfernt gelegt werden, um die Wasserzirkulation im Teich so groß wie möglich zu halten.

Abfluss (T): Durch den Abfluss läuft das schmutzige Wasser ab, wenn man das Rückspülssystem benutzt. Verbinden Sie einen Schlauch mit dem Abfluss, um schmutziges Wasser aus dem Filter in das Abwassersystem oder in den Garten zu leiten. Dieser Abfluss wird aktiviert, wenn das Ventil zur Steuerung der Betriebsart (V) in Richtung des Abflusses (T) zeigt (Abflussbetrieb).

WICHTIG: Während des normalen „Filterbetriebes“ schließen Sie den Abfluss (T), indem Sie die „Klick & Fertig“ Dichtungskappe (I) benutzen.

Tipp: Schmutziges Teichwasser ist reich an Nährstoffen und chlorfrei und eignet sich besonders gut, um Pflanzen im Garten zu begießen.



Inbetriebnahme und Betrieb des Filters und Rückspülung

WICHTIG! – Überprüfen Sie vor der ersten und jeder danach folgenden Inbetriebnahme immer das Folgende:

- Vor der ersten Inbetriebnahme müssen Sie den Filterdeckel-O-Ring (P) montieren, der in einer separaten Plastiktasche mitgeliefert wird. Dieser O-Ring muss ordentlich an seinem Platz oben am Filterkanister eingesetzt werden. (Abb. 1)
- Vor der ersten Inbetriebnahme müssen Sie die UV-C Lampe installieren und den Filter-Nässe-Test durchführen. Weitere Informationen erhalten Sie in „Wechsel der UV-C Lampe und Reinigung der Quarzröhre“.
- Das biologische Medium muss, wie in Abbildung 2 gezeigt, in das Filtergehäuse eingesetzt werden (außer bei Pressure-Flo 2500 UV-C).
- Überprüfen Sie, ob der Deckel (G) sicher mit der Deckelklammer (O) verschlossen ist und ob der O-Ring (P) richtig an seinem Platz sitzt. **WICHTIG:** Bevor Sie die Deckelklammer (O) anbringen, muss der Deckel (G) ganz heruntergedrückt werden, bis die Lücke zwischen Deckel und Filtergehäuse ganz verschwindet. Die Deckelklammer muss mit dem Sicherheits-Deckelverschluss richtig in der Kerbe des Schnappverschlusses einrasten. **WARNUNG:** Seien Sie vorsichtig, dass Sie nicht Ihre Finger oder das Netzkabel einklemmen, wenn die Deckelklammer in der Kerbe einrastet. Zur Sicherung kann ein Stützverschluss (nicht enthalten) in das untere Loch des Sicherheits-Deckelverschlusses (Z) gesteckt werden.
- Der Schalter zur Steuerung der Betriebsart (V) muss auf den „Filterbetrieb“ eingestellt sein; der Schalter weist in Richtung des Wasserauslasses (W). **Der Schalter (V) muss um volle 90° gedreht werden; stellen Sie ihn nicht auf eine dazwischen liegende Position.**
- Stellen Sie sicher, dass alle Schläuche ordentlich mit der Einheit verbunden wurden und sich in ihrer endgültigen Position befinden. Stellen Sie sicher, dass an den Steckpartien der „Klick & Fertig“ Schnappverbinder Gummi-O-Ringe (aa) angebracht wurden.

Während des normalen „Filterbetriebes“ schließen Sie den Abfluss (T), in dem Sie die „Klick & Fertig“ Dichtungskappe (I) benutzen.

• Überprüfen Sie immer, ob die „Klick & Fertig“ Dichtungskappe fest auf ihrem Platz sitzt (den Hebel vollständig nach oben drücken).

VORSICHT: Benutzen Sie die UV-C Lampe (B) nicht, ohne dass Wasser durch die Einheit fließt.

Nachdem Sie Obenstehendes überprüft haben, gehen Sie wie folgt vor:

- 1) Stellen Sie die Pumpe an und betreiben Sie den Filter für einige Minuten, um ihn auf undichte Stellen hin zu überprüfen.
- 2) Wenn alles in Ordnung ist und das Wasser gleichmäßig durch die Einheit fließt, verbinden Sie die Pressure-Flo UV-C Lampe (B) mit dem Stromnetz. Die Lampenanzeige (R) schimmert blau, wenn die UV-C Lampe in Betrieb ist; im Dunklen ist das Licht besser zu erkennen.

Lassen Sie den Filter 24 Stunden am Tag in Betrieb und idealerweise das ganze Jahr hindurch, vorausgesetzt, dass es keinen Frost gibt und dass Wasser ungehindert durch die Einheit fließen kann.

Rückspülssystem

Wenn die Schaumstoffoberfläche verstopft, bringt das **Rückspülssystem** einen normalen Filterbetrieb schnell und effizient zurück, ohne dass die Einheit geöffnet werden muss. Die Einheit sollte mindestens einmal pro Woche gereinigt werden oder dann, wenn die Reinigungsanzeige (U) anzeigt, dass der Filter verstopft oder schmutzig ist oder wenn trübes Wasser aus dem Filter kommt.

Wenn der Teich sehr schmutzig ist und während der ersten Wochen des Filterbetriebes, sollte der Filter häufiger gereinigt werden.

Gehen Sie wie folgt vor:

- 1) Entfernen Sie die „Klick & Fertig“ Dichtungskappe von dem Abfluss (T). **VORSICHT:** Es wird ein tüchtiger Wasserstrahl aus dem Abfluss kommen.
- 2) Verbinden Sie den Abflussschlauch mit dem Abfluss (T) und überprüfen Sie, dass er das schmutzige Wasser in die gewünschte Richtung befördert.
- 3) Drehen Sie das Ventil zur Steuerung der Betriebsart (V) auf Abflussbetrieb (drehen Sie den Schalter ganz in Richtung des Abflusses (T)).
- 4) Bewegen Sie beide Reinigungshebel (S) auf und ab. Diese Auf- und Abwärtsbewegung treibt zwei Reinigungsarme im Inneren der Einheit an, die an der

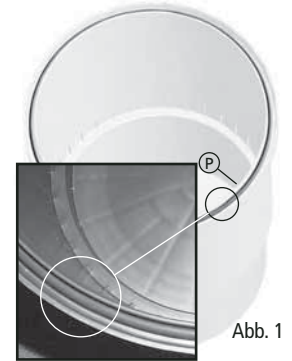
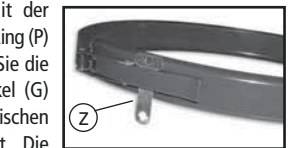


Abb. 1



Abb. 2



Oberfläche schaben und Ablagerungen entfernen und in die äußere Kammer des Filters schieben. Das Wasser mit den heraus geschobenen Ablagerungen wird durch den Abfluss geleitet (T), der direkt mit der äußeren Kammer des Filters verbunden ist. Fahren Sie so für einige Minuten weiter fort, bis Sie klares Wasser durch den Abflussschlauch kommen sehen.

VORSICHT: Dieses Reinigungssystem arbeitet mit Teichwasser. Dies muss bei diesem Reinigungssystem in Betracht gezogen werden. Zum Schluss füllen Sie den Teich wieder bis zu dem gewünschten Wasserpegel auf.

- 5) Drehen Sie den Schalter zur Steuerung der Betriebsart (V) auf Filterbetrieb (drehen Sie den Schalter ganz auf den Wasserauslass (W)). Der Filter ist nun im normalen „Filterbetrieb“.
- 6) Dichten Sie den Abfluss (T) mit der „Klick & Fertig“ Dichtungskappe (I) ab. Überprüfen Sie, ob sie fest eingerastet ist (ziehen Sie den Hebel ganz nach oben).

Sollte der Filter nach dieser Maßnahme verstopft bleiben, führen Sie eine vollständige Reinigung des Schaumstoffes und des biologischen Filtermediums durch.

Reinigung und Wartung des Pressure-Flo Filters

WARNUNGEN:

• Versuchen Sie nicht die Deckelklammer (O) zu öffnen oder den Deckel anzuheben, wenn die Pumpe und der Filter in Betrieb sind. Die Deckelklammer beinhaltet einen Sicherheits-Metalleinsatz, der eine versehentliche Öffnung verhindert.

• VERSUCHEN SIE NICHT DIE LAMPE ZU ÜBERPRÜFEN, WENN SIE ERLEUCHTET IST! Bei direkter Einwirkung von ultravioletter Licht können Augen und Haut verletzt werden.

• Die UV-Lampe (B) und die Quarzröhre (C) bestehen aus Glas. Gehen Sie vorsichtig mit allen Teilen um.

• Stellen Sie sicher, dass die elektrischen Teile im Inneren des Gerätes vor, während und nach einer Wartung trocken sind.

• Bedenken Sie immer, dass der Schalter zur Steuerung der Betriebsart (V) das Wasser einfach umleitet, es aber nicht aufhält.

Reinigung des Schaumstoffes und des biologischen Mediums

Wenn Sie mit dem **Rückspülssystem** nicht das gewünschte Ergebnis erzielen (oder mindestens einmal in der Saison), kann es eventuell nötig sein, den Schaumstoff gründlich zu waschen oder sogar zu erneuern. Während der heißen Sommermonate müssen Reinigungen häufiger durchgeführt werden.

Bei dieser Reinigung kann auch das biologische Medium gereinigt und/oder erneuert werden (außer bei Pressure-Flo 700/Pressure-Flo 2500 UVC).

- 1) Stellen Sie die UV-C Lampe (B) ab, indem Sie den Stecker der Einheit vom Stromnetz trennen.
- 2) Stellen Sie die Pumpe ab, die den Pressure-Flo Filter versorgt.
- 3) Trennen Sie alle Schläuche von der Einheit, indem Sie alle „Klick & Fertig“ Schnappverbinder lösen (drücken Sie den Hebel und ziehen Sie).
- 4) Drücken Sie die Reinigungshebel (S) langsam und vorsichtig ganz nach oben.
- 5) Entfernen Sie den Sicherheitseinsatz von der Metall-Deckelklammer (O). Entriegeln Sie die Metall-Deckelklammer.
- 6) Entfernen Sie den Deckel (G) entweder, indem Sie die Reinigungshebel umfassen oder indem Sie einen Schlitzschraubendreher vorsichtig in die seitlichen Kerben stecken und den Deckel so anheben. **VORSICHT: Drücken Sie die Führungsstangen nicht mit Gewalt zur Seite, da dies die Einheit beschädigen kann.**

VORSICHT: In dem Deckel sitzt die UV-C Einheit mit der Lampe und der Quarzröhre, die aus Glas bestehen. Gehen Sie vorsichtig mit diesen Teilen um.

7) Nun kommen Sie an die Schaumstofffilter (M) heran. Entfernen Sie alle gleichzeitig, indem Sie den inneren Schaumstoff-Stützrahmen (N) umfassen und herausziehen.

8) Lösen Sie den Schaumstofffilter (M) von dem Schaumstoff-Stützrahmen (N) und spülen Sie ihn mit Teichwasser ab oder erneuern Sie ihn, wenn nötig.

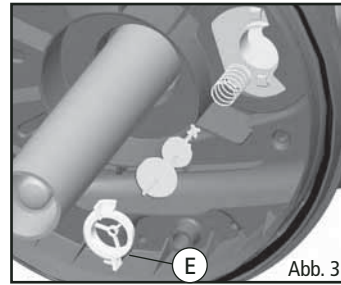
9) Spülen Sie das biologische Medium, dass sich in dem unteren Teil des Filtergehäuses (Q) befindet, mit Teichwasser ab oder erneuern Sie es, wenn nötig. Der Pressure-Flo 2500 UVC hat keine Kammer für biologische Medien.

10) Reinigen Sie das Filtergehäuse (Q) mit Wasser, besonders am oberen Rand, an dem der Filterdeckel-O-Ring (P) sitzt. Reinigen Sie den Filterdeckel (G) mit Wasser.

11) Falls notwendig, reinigen Sie die Reinigungsanzeige (U) nach dem Ausbau wie folgt: 1): Entfernen Sie den Rückhaltering (E), indem Sie ihn gegen den Uhrzeigersinn drehen, (das Ventil zur Steuerung der Betriebsart (V) muss auf „Filterbetrieb“ gestellt sein), 2): Entfernen Sie den Anzeiger und seine Feder. Spülen Sie alle Teile mit Wasser ab und bauen Sie sie vorsichtig wieder zusammen. (Abb. 3 & 4)

12) Überprüfen und reinigen Sie die beiden Schaumstoff-Reinigungsbürsten (L) und die Führungsstange. Wenn nötig, erneuern Sie die Bürsten. Jede Bürste kann leicht von der Führungsstange gelöst werden, in dem man die Schraube in der Mitte abschraubt.

13) Setzen Sie den Schaumstoff und das biologische Filtermedium an ihre ursprüngliche Position zurück. Stellen Sie sicher, dass die Schaumstofffilter ordentlich gestapelt sind, ohne dass ein Freiraum zwischen ihnen entsteht.



14) Bauen Sie die Einheit vorsichtig wieder zusammen. Überprüfen Sie, ob das biologische Filtermedium nicht den Schaumstoff-Stützrahmen (N) behindert und dieser Rahmen wieder richtig eingesetzt wurde.



15) Der Filter kann nun in Betrieb genommen werden. Lesen und folgen Sie allen Hinweisen in **Inbetriebnahme und Betrieb des Filters und Rückspülung**.

Benutzen Sie für die Reinigung NIEMALS Seife oder Reinigungsmittel. Jegliche zurückbleibenden Spuren können den Teich verschmutzen und dazu führen, dass das empfindliche Fischgewebe verletzt wird.

Wechsel der UV-C Lampe und Reinigung der Quarzröhre

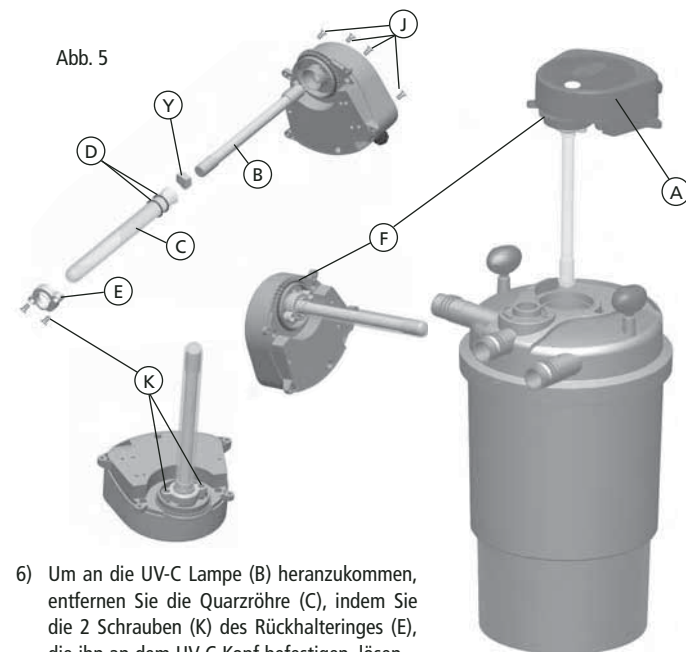
Wechsel der UV-C Lampe: Um die optimale Leistung beizubehalten, sollte die UV-C Lampe (B) jedes Jahr erneuert werden. Die ideale Zeit dazu ist der Frühling, während der vorsaisonalen Teichwartung.

Reinigung der Quarzröhre: Obwohl nur gefiltertes Wasser durch den UV-C Teil des Pressure-Flo Filters fließt, kann sich Kalk auf der Quarzröhre (C) ablagern, was die Leistung der UV-C Lampe (B) mindern könnte. Es ist empfehlenswert, die Quarzröhre (C) regelmäßig zu überprüfen und zu reinigen. Wie oft diese gereinigt werden muss, hängt von den Teichbedingungen ab.

Um an die UV-C Lampe (B) und die Quarzröhre (C) heranzukommen, gehen Sie wie folgt vor:

- 1) Schalten Sie die UV-C Lampe ab, indem Sie den Stecker der Einheit vom Stromnetz trennen.
- 2) Stellen Sie die Pumpe ab, die den Pressure-Flo Filter versorgt.
- 3) Trennen Sie alle Schläuche von der Einheit, indem Sie alle „Klick & Fertig“ Schnappverbinder lösen (drücken Sie den Hebel und ziehen Sie).
- 4) Entfernen Sie den UV-C Kopf (A) (Abb. 5) aus dem Filter, indem Sie die 4 Schrauben (J) lösen, mit denen der UV-C Kopf an dem Filterdeckel (G) angeschraubt ist.
- 5) Nun können Sie, wenn nötig, die Quarzröhre (C) reinigen. **Für die Reinigung der Quarzröhre benutzen Sie einfach einen feuchten, weichen Lappen. Gegen hartnäckigen Schmutz können Sie auch ein wenig Essig benutzen. Benutzen Sie keinerlei Reinigungsmittel oder andere chemische Reiniger.**

Wenn es nicht nötig ist, die UV-C Lampe zu wechseln, gehen Sie jetzt weiter zu Punkt 10.



- 6) Um an die UV-C Lampe (B) heranzukommen, entfernen Sie die Quarzröhre (C), indem Sie die 2 Schrauben (K) des Rückhalteringes (E), die ihn an dem UV-C Kopf befestigen, lösen.
- 7) Ziehen Sie die UV-C Lampe (B) aus der Lampenfassung (wenn es sich nicht um die erste Inbetriebnahme handelt) und erneuern Sie sie. Die Lampenstecker müssen richtig ausgerichtet sein. Wenn die Lampe nicht gleich passt, drehen Sie sie um 90°. **WARNUNG: VERSUCHEN SIE NICHT DIE LAMPE ZU ÜBERPRÜFEN, WENN SIE ERLEUCHTET IST! Bei direkter Einwirkung von ultravioletterem Licht, können**

Augen und Haut verletzt werden. Überprüfen Sie die UV-C Lampe nicht, bevor der Filter nicht vollständig aufgebaut ist. WICHTIG: Benutzen Sie ausschließlich die original Laguna Ersatzteile. Auf der Ersatzteilliste können Sie die genauen Kennnummern der Ersatzteile erkennen.

- 8) Setzen Sie die Quarzröhre (C) und die beiden O-Ringe (D) wieder an ihre ursprüngliche Position. **WICHTIG:** Der Lampendämpfer (Y) im Inneren der Quarzröhre muss zwischen der Lampe und dem Boden der Quarzröhre sitzen. Entfernen Sie ihn nicht. **WICHTIG – Die beiden O-Ringe (D) der Quarzröhre (C) müssen jedes Mal erneuert werden, wenn die Einheit geöffnet wird.**
- 9) Setzen Sie den Rückhaltering (E) an seine ursprüngliche Position und ziehen Sie ihn mit den beiden Schrauben (K) fest.
- 10) Überprüfen Sie, dass die Quarzröhre (C) nicht beschädigt ist. Überprüfen Sie, ob alle Teile vorhanden sind und ordentlich wieder zusammengebaut wurden. Falls Zweifel auftreten sollten, lassen Sie sich von Ihrem Laguna Händler beraten.
- 11) Setzen Sie den UV-C Kopf (A) wieder auf den Filterdeckel (G) und stellen Sie sicher, dass der innere O-Ring (F) richtig sitzt, bevor Sie den UV-C Kopf mit den Schrauben (J) festziehen.
- 12) Schrauben Sie den UV-C Kopf (A) an den Filterdeckel, indem Sie die 4 Schrauben (J) wieder einsetzen und anziehen. **WARNUNG – Stromschlag-Gefahr: Bevor Sie die Lampe an das Stromnetz anschließen, vergewissern Sie sich, dass ALLE O-Ringe richtig an Ihrer vorgesehenen Position sitzen, dass ALLE Schrauben fest angezogen sind und dass die Einheit nicht beschädigt wurde. Bevor Sie die Einheit an das Stromnetz anschließen, müssen Sie den Filter-Nässe-Test durchführen.**
- 13) Der Filter kann nun in Betrieb genommen werden. Lesen und folgen Sie allen Hinweisen in **Inbetriebnahme und Betrieb des Filters und Rückspülung**.

Winter-Lagerung

Die Einheit muss vor Frost geschützt werden. Bei kaltem Winterwetter kann die Einheit eventuell abgeschaltet werden. Das Wasser sollte dann aus dem Filter abgelassen werden und er sollte demontiert und an einem trockenen und wetterfesten Ort gelagert werden. Es ist empfehlenswert, den Deckel der Einheit während einer Lagerung offen zu lassen.

Filter-Nässe-Test

Wenn die Einheit vollständig zusammengebaut wurde, muss sie auf Nässe getestet werden, bevor sie an das Stromnetz angeschlossen werden kann. Dieser Test muss immer dann wiederholt werden, wenn die Lampe und die Quarzröhre ausgewechselt oder auseinandergebaut werden.

- 1) Installieren Sie den Filter gemäß der Anleitung. Schließen Sie jedoch die Einheit NICHT an das Stromnetz an. Schalten Sie die Pumpe an und lassen Sie sie für 24 Stunden in Betrieb.
- 2) Nach 24 Stunden schalten Sie die Pumpe ab und entfernen den UV-C Kopf (A) vom Filter, indem Sie die 4 Schrauben (J) lösen. Mehr Teile brauchen Sie nicht zu entfernen.
- 3) Untersuchen Sie im Inneren der Quarzröhre (C), ob diese dicht ist. Wenn Sie Wasser im Inneren der Quarzröhre oder um die Lampe herum finden, schließen Sie die Einheit NICHT an das Stromnetz an, sondern bringen Sie sie zur Überprüfung zu einer autorisierten Laguna Kundendienststelle oder zu einer ähnlich qualifizierten Person.

Wenn jedoch im Inneren der Quarzröhre (C) kein Wasser zu erkennen ist, bauen Sie die Einheit vorsichtig wieder zusammen und benutzen Sie sie normal gemäß dieser Einbau- und Wartungsanleitung.

Technische Angaben

120V/60HZ		PF 700 UVC	PF 1400 UVC	PF 2100 UVC	PF 3200 UVC
230-240V/50HZ	*	PF 2500 UVC	PF 5000 UVC	PF 8000 UVC	PF 12000 UVC
Schutzgrad		IP 55	IP 55	IP 55	IP 55
Max. Größe der Einheit*	mm	Ø285 - H350	Ø285 - H510	Ø365 - H525	Ø365 - H640
	in	Ø11.2 - H13.7	Ø11.2 - H20	Ø14.3 - H20.6	Ø14.3 - H25.2
Filterkanister-Höhe	mm	230	385	400	500
	in	9	15.2	15.7	19.7
UV-C Leistung	W	11	11	20	25
Max. anwendbarer Druck (max. Höhe)	Bar	0,4	0,4	0,4	0,4
	PSI	5.8	5.8	5.8	5.8
Empfohlener max. Wasserdurchfluss	l/Std.	1250	2500	4000	6000
	US GPH	330	660	1057	1585
Schaumstofffilteranzahl	Stück	3	4	4	5
Kanistervolumen (ca.)	Liter	10	17,5	31	40
	US GAL	2.6	4.6	8.2	10.6
Anzahl an Laguna Biospheres	Stück	nicht vorhanden	100	160	220
Einlass- und Auslassschlauchverbindungen		Universal „Klick & Fertig“ Schnappverbinder: 3/4", 1", 1-1/4"/19, 25, 32 mm (1-1/4"/32 mm Buchse)	Universal „Klick & Fertig“ Schnappverbinder: 3/4", 1", 1-1/4"/19, 25, 32 mm (1-1/4"/32 mm Buchse)	Universal „Klick & Fertig“ Schnappverbinder: 3/4", 1", 1-1/4"/19, 25, 32 mm (1-1/4"/32 mm Buchse)	Universal „Klick & Fertig“ Schnappverbinder: 3/4", 1", 1-1/4"/19, 25, 32 mm (1-1/4"/32 mm Buchse)

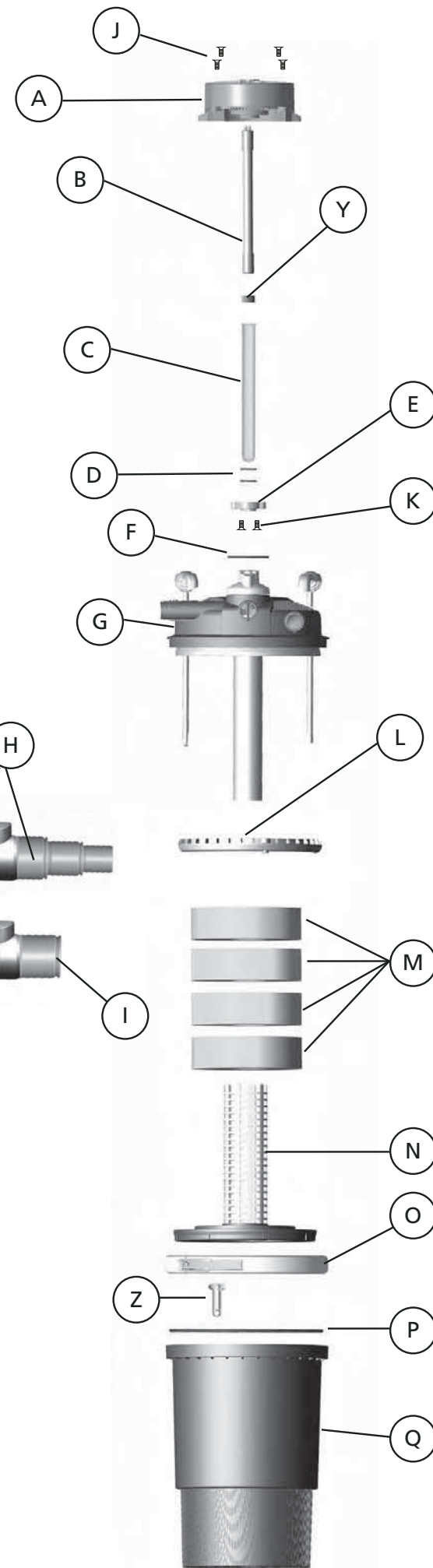
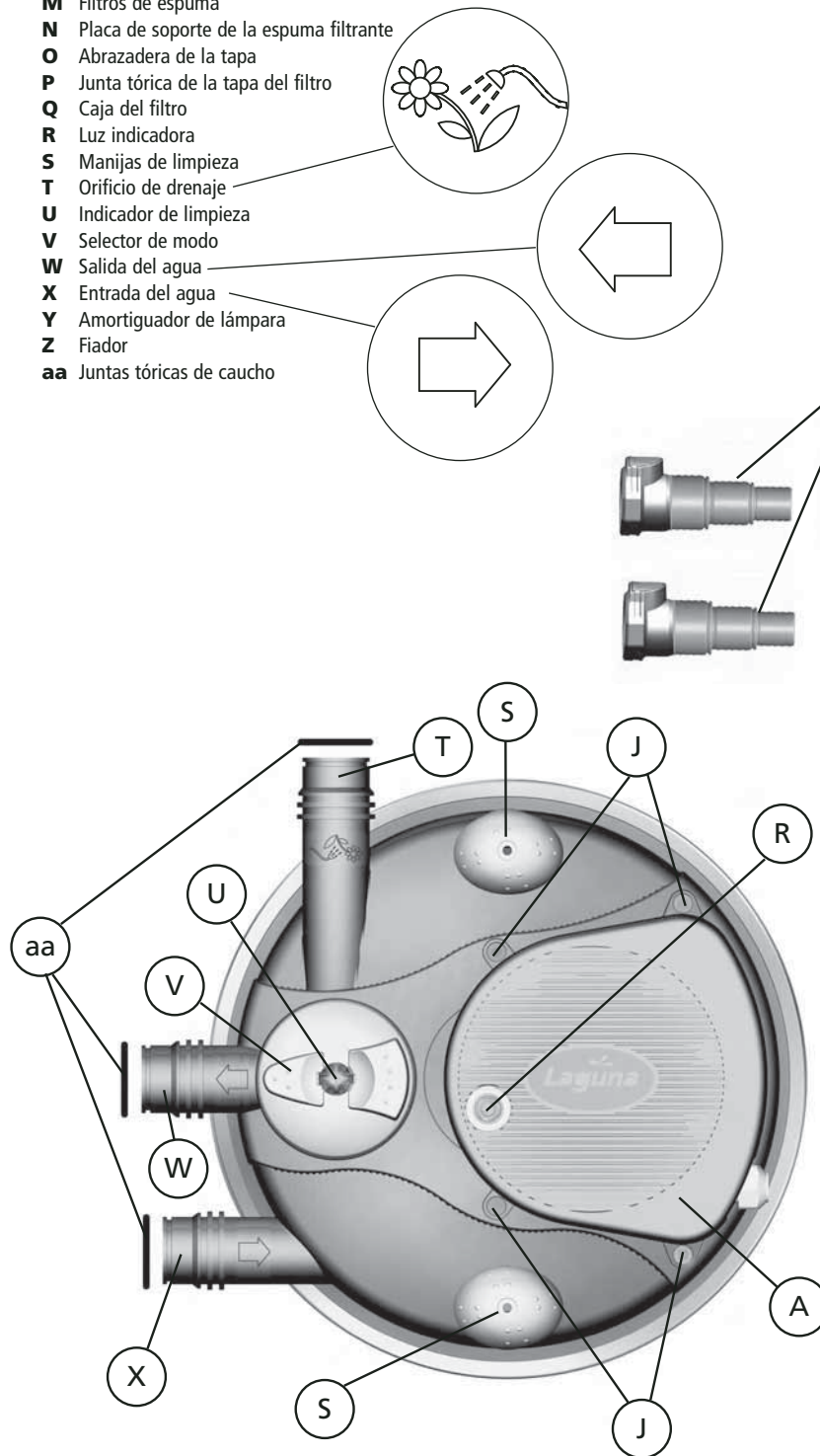
Ersatzteile					
120V/60HZ		PF 700 UVC	PF 1400 UVC	PF 2100 UVC	PF 3200 UVC
230-240V/50HZ	*	PF 2500 UVC	PF 5000 UVC	PF 8000 UVC	PF 12000 UVC
UV-C Lampe + 2 O-Ringe	B	PT-1520	PT-1520	PT-1521	PT-1522
Quarzröhre + 2 O-Ringe	C	PT-1524	PT-1524	PT-1525	PT-1526
O-Ring für Quarzröhre (2 Stück)	D	PT-1527	PT-1527	PT-1527	PT-1527
Quarzröhrenring	E	PT-1528	PT-1528	PT-1528	PT-1528
UV-C Kopf O-Ring	F	PT-1530	PT-1530	PT-1530	PT-1530
Universal "Klick & Fertig" Schnappverbinder	H	PT-640	PT-640	PT-640	PT-640
„Klick & Fertig“ Dichtungskappenschnappverschluss	I	PT-1543	PT-1543	PT-1543	PT-1543
Schrauben für den UV-C Kopf und den Quarzröhrenring (6 Stück)	J	PT-1529	PT-1529	PT-1529	PT-1529
	K				
Schaumstoff-Reinigungsarme (2 Stück)	L	PT-1513	PT-1513	PT-1514	PT-1514
Schaumstoff (1 St.)	M	PT-1510	PT-1510	PT-1511	PT-1511
Filterdeckel-O-Ring	P	PT-1535	PT-1535	PT-1536	PT-1536
Reinigungsanzeige (Ring/Anzeiger/Feder)	U	PT-1538	PT-1539	PT-1540	PT-1541
Biospheres	-	-	PT-1785	PT-1785	PT-1785
Gummi-O-Ringe	aa	PT-743	PT-743	PT-743	PT-743

* siehe Zeichnung des Produktes

Instrucciones en español

Consulte estas ilustraciones durante la lectura del manual de instrucciones.

- A** Tapa superior
- B** Lámpara UV-C
- C** Manguito de cuarzo
- D** Juntas tóricas
- E** Aro de brida
- F** Junta tórica
- G** Tapa del filtro
- H** Acoplamiento universal tipo "click-fit"
- I** Tapón hermético "click-fit"
- J** Tornillos de la tapa superior
- K** Tornillos para el aro de brida del manguito de cuarzo
- L** Hojas para limpiar la espuma filtrante
- M** Filtros de espuma
- N** Placa de soporte de la espuma filtrante
- O** Abrazadera de la tapa
- P** Junta tórica de la tapa del filtro
- Q** Caja del filtro
- R** Luz indicadora
- S** Manijas de limpieza
- T** Orificio de drenaje
- U** Indicador de limpieza
- V** Selector de modo
- W** Salida del agua
- X** Entrada del agua
- Y** Amortiguador de lámpara
- Z** Fiador
- aa** Juntas tóricas de caucho



FILTRO PARA ESTANQUES, CON UNIDAD UV-C INTEGRADA

Sólo para uso con agua dulce

Antes de instalar y hacer funcionar el filtro, lea atentamente esta información

INSTRUCCIONES DE SEGURIDAD IMPORTANTES

ADVERTENCIA: Para evitar lesiones, se deben tomar precauciones básicas de seguridad, incluidas las indicadas a continuación:

1. **LEA Y SIGA TODAS LAS INSTRUCCIONES DE SEGURIDAD** y todos los avisos importantes que van sobre este aparato, antes de usarlo. De no hacerlo, puede dañar el aparato y/o se pueden morir los peces.
2. **PELIGRO** – Para evitar un posible choque eléctrico, debe manipular con sumo cuidado los equipos eléctricos del estanque, dado que están en contacto con el agua. En cada una de las situaciones siguientes, no trate de hacer usted mismo las reparaciones sino devuelva el aparato a un centro de servicio de productos Laguna autorizado para que lo arreglen, o deséchelo.
 - A. **A. Este producto es resistente a la intemperie pero NO es sumergible. ¡No sumerja este aparato en el agua!** Si se cae al agua, ¡NO LO RECOJA! Desenchúfelo primero de la corriente eléctrica y luego recójalo.
 - B. Antes de instalar el aparato, fíjese si el manguito de cuarzo (C) y la lámpara UV-C (B) no se han dañado durante el transporte, dado que ambos son de vidrio. Manéjelos con cuidado. No toque la lámpara con las manos desnudas, porque esto dificulta su funcionamiento. Examine cuidadosamente el aparato después de instalarlo. Si las piezas que deben estar secas tienen agua, no debería enchufarlo. Si los componentes eléctricos del aparato se mojan, desenchúfelo inmediatamente.
 - C. No ponga en funcionamiento un aparato defectuoso, que tenga un cable o enchufe dañado, o que se haya caído al suelo o se haya dañado de cualquier otra manera. **El cable de alimentación eléctrica de este aparato es un cable especial. Si se daña, debe ser reemplazado por un centro de servicio de productos Laguna o un técnico autorizado para evitar cualquier peligro.** Nunca se debe cortar el cable.
 - D. El encendedor de la lámpara UV usado en este producto tiene una larga vida útil y no requiere mantenimiento. En caso de necesidad, para evitar cualquier peligro debe ser reemplazado únicamente por un centro de servicio de productos Laguna o por un técnico autorizado.
3. No deje que un niño use este aparato. Los niños deben ser vigilados constantemente cuando están cerca del agua. Este aparato no es un juguete.
4. **ADVERTENCIA – NUNCA MIRE UNA LÁMPARA UV CUANDO ESTÁ ENCENDIDA.** La exposición directa a la luz ultravioleta puede dañar los ojos y la piel.
5. **IMPORTANTE – Desenchufe o desconecte siempre todos los aparatos en el estanque de la fuente de electricidad antes de poner las manos en el agua, antes de agregar o quitar piezas, cuando no los está usando y durante la instalación, la manipulación o el mantenimiento de este aparato. Nunca tire del cable para desenchufarlo del tomacorriente. Tome el enchufe y tire del mismo para desconectarlo. Nunca levante el aparato por el cable.**
6. **Este aparato es un filtro con esterilizador por UV integrado para estanques de jardín exteriores, de agua dulce.** No lo utilice para ningún otro fin que no sea el previsto.
 - No utilice este aparato en piscinas o en otros lugares donde la gente se sumerja.
 - Este aparato está diseñado para funcionar con agua cuya temperatura no pase de los 35°C (95°F).
 - No utilice este aparato con ningún otro líquido que no sea agua.
7. No instale o guarde este aparato en un lugar donde quede expuesto a temperaturas de 0°C (32°F) o más bajas. En condiciones de congelación, desconecte el filtro de la fuente de alimentación y drene el agua de la caja del filtro. Durante el invierno, guarde el aparato en un lugar seco y protegido.
 - Proteja también el aparato de la luz solar directa. Los materiales son muy estables frente a la luz solar, pero los rayos directos pueden recalentarlos y acelerar el envejecimiento del aislante.
8. **IMPORTANTE – La presión máxima de funcionamiento es de 0,04 MPa (0,4 bar o 5,8 psi). No conecte el filtro a la tubería principal del agua.**
9. No trate de abrir la abrazadera de la tapa (O) y levante la tapa cuando la bomba y el filtro estén funcionando. El fiador de la abrazadera tiene una pieza metálica de seguridad para impedir que la tapa se abra accidentalmente.
10. **IMPORTANTE** – Las conexiones eléctricas deben hacerse conforme a la informa-

ción que aparece en la etiqueta de clasificación y el aparato debe encenderse sólo después de haber sido instalado como corresponde. Nunca haga funcionar este aparato sin agua. El filtro debe estar siempre completamente lleno de agua cuando está funcionando.

11. Si se necesita una extensión, asegúrese de que la conexión es hermética y a prueba de polvo. Se debe utilizar un cable con la clasificación correcta. Un cable clasificado para menos amperes o vatios que los del aparato puede recalentarse. El cable debe colocarse de manera tal que no cause tropezones ni tirones. La conexión debería ser hecha por un electricista instalador profesional.
12. **ADVERTENCIA** – Alimente mediante un dispositivo de corriente residual (RCD o un interruptor de corriente de falla de tierra) con corriente residual nominal que no exceda 30 mA. El tomacorriente donde se conecta el cable debería estar protegido contra la intemperie y situado a un mínimo de 2 m del estanque del jardín.

ADVERTENCIA – No entierre el cable. Colóquelo de tal modo que no puede ser dañado por una cortadora de césped, recortadora de setos u otros aparatos. Las conexiones permanentes a la fuente de electricidad principal (cableado) deben cumplir con la reglamentación local que puede exigir que se usen conductos de plástico o de metal para proteger el cable.

13. GUARDE ESTAS INSTRUCCIONES

INSTRUCCIONES ESPECIALES PARA EE.UU. Y CANADÁ ÚNICAMENTE.

ADVERTENCIA – Riesgo de choque eléctrico – Este aparato utiliza un cable tripolar y debe estar conectado a tierra. El cable viene con un enchufe con toma de tierra. Para reducir el riesgo de choque eléctrico, asegúrese de enchufarlo únicamente en un receptáculo con la debida conexión a tierra.

Contenido

Antes de empezar, compruebe que la caja contiene los siguientes artículos:

- 1 filtro Pressure-Flo
- 1 Lámpara UV-C, sin instalar
- 3 filtros de espuma (PF 700/PF 2500), 4 filtros de espuma (PF 1400/PF 5000 y PF 2100/PF 8000), 5 filtros de espuma (PF 3200/PF 12000)
- medio filtrante biológico (excepto Pressure-Flo700/Pressure-Flo 2500 UVC)
- 1 junta tórica para sellar la tapa (P), suministrada en una bolsa de polietileno separada
- 3 acoplamientos tipo "click-fit" (H) para mangueras con diámetros de 3/4 pulg., 1 pulg. y 1 1/4 pulg. (19, 25 y 32 mm)
- 1 tapón hermético "click-fit" (I)
- manual de instrucciones
- fiador (Z)

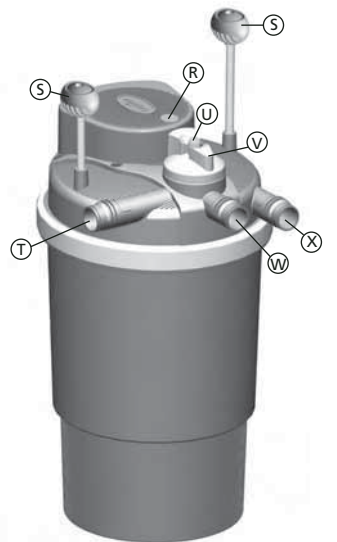
Uso previsto

El filtro Pressure-Flo es una unidad sellada de filtración a presión, con un esterilizador por rayos UV-C integrado, y ha sido concebido para proveer filtración mecánica y biológica del agua dulce en estanques decorativos de exterior, con o sin peces, cuya temperatura varíe entre +4°C y 35°C (+39,2° y 95° F). La **filtración mecánica** tiene la función de retener y acumular la basura y los desechos provenientes del estanque. La **filtración biológica** tiene la función de convertir los elementos tóxicos provenientes del metabolismo de los peces y otros residuos orgánicos en sustancias mucho menos nocivas. La filtración por rayos UV-C tiene la función de inhibir el crecimiento de algas.

Funcionamiento de los filtros Pressure-Flo

Los filtros Pressure-Flo han sido creados para proveer tres tipos de filtración que son esenciales para mantener el agua de los estanques limpia y sana: filtración mecánica y biológica, y esterilización por rayos UV-C. Los filtros están diseñados para funcionar conjuntamente con una bomba para tratamiento de residuos sólidos. Para obtener resultados óptimos, utilice una bomba de circulación Laguna Max-Flo. Al estar conectado a la salida de una bomba, el filtro recibe el agua del estanque a través de la entrada del agua (X). Luego el agua pasa a presión por la etapa de **filtración mecánica**, o sea, por filtros de espuma que interceptan y retienen la suciedad y la basura. A continuación, el agua llega a la cámara de **filtración biológica*** donde entra en contacto con bacterias beneficiosas. Por último, el agua filtrada pasa a la unidad UV-C (B), donde está expuesta a rayos ultravioletas que inhiben el crecimiento de algas, y vuelve al estanque por la salida (W).

*Pressure-Flo 700/Pressure-Flo 2500 UVC no viene con una cámara de filtración biológica.



Sistema de limpieza por contracorriente

Durante el funcionamiento del filtro, los desechos gruesos quedan atrapados en la superficie de los filtros de espuma. Tarde o temprano, dependiendo de las condiciones del estanque, la superficie externa de los filtros de espuma se obstruirá, con lo cual se reducirá el flujo de agua que pasa por los filtros; en consecuencia, la eficacia de la filtración, tanto biológica como por rayos ultravioletas, será menor. Este estado puede detectarse fácilmente con el indicador de limpieza (U).

Los filtros Pressure-Flo están equipados con un sistema de limpieza por contracorriente especial que limpia completamente toda la superficie de los filtros mecánicos de espuma. Esta limpieza puede realizarse fácil y cómodamente en unos minutos y sin que sea necesario abrir el filtro. Este último volverá a tener un desempeño óptimo durante muchos días. Aunque el sistema de limpieza por contracorriente prolonga los intervalos entre mantenimientos, será necesario limpiar el aparato a fondo periódicamente. Para más detalles, consulte la sección **Limpieza y mantenimiento del filtro Pressure-Flo**.

Indicador de limpieza

Este aparato tiene un indicador de limpieza (U) que muestra cuándo es necesario limpiar el filtro por contracorriente. La altura del indicador rojo es más o menos proporcional al nivel de obstrucción del filtro. Cuando el indicador rojo está bajo, el filtro está limpio; y cuando está al tope, el filtro necesita limpiarse.

Hay muchos factores que pueden afectar el indicador de limpieza, entre otros la altura del salto y el desempeño de la bomba. Las características de funcionamiento que se muestran en la tabla más abajo (**Cómo seleccionar el filtro Pressure-Flo y la bomba Max-Flo apropiados para su estanque**) han sido calibradas en función de condiciones de uso específicas. Los resultados pueden ser diferentes en condiciones de uso diferentes.

Cómo seleccionar el filtro Pressure-Flo y la bomba Max-Flo apropiados para su estanque

Con la ayuda de la tabla que sigue, seleccione la combinación de bomba Laguna Max-Flo/filtro Pressure-Flo que corresponda según el tamaño y las condiciones de su estanque. Debido a las muchas variables, las siguientes recomendaciones se dan sólo como guía general.

120V/60HZ		PF 700	PF 1400	PF 2100	PF 3200
230-240V/50HZ		PF 2500	PF 5000	PF 8000	PF 12000
Alta densidad de peces a la sombra	litros	1800	3500	5500	8000
	Gal. EUA	475	925	1456	2113
Baja densidad de peces bajo luz solar directa	litros	1800	3500	5500	8000
	Gal. EUA	475	925	1456	2113
Baja densidad de peces a la sombra	litros	2500	5000	8000	12000
	Gal. EUA	660	1320	2113	3170
Alta densidad de peces luz solar directa	litros	1250	2500	4000	6000
	Gal. EUA	330	660	1057	1585
Bomba Laguna Max-Flo recomendada*	230-240V	MF2200 (MF3500)	MF3500	MF6000	MF7500
Bomba Laguna Max-Flo recomendada*	120V	MF600 (MF900)	MF900	MF1500	MF2000
Largo de manguera recomendado**	metros	4	4	5.5	6
	Pies	13	13	18	19
Diámetro mínimo de manguera para obtener los rendimientos indicados arriba	Pulg.	1 1/4	1 1/4	1 1/4	1 1/4
	mm	32	32	32	32
Altura de salto recomendada para obtener los rendimientos indicados arriba	cm.	60	60	100	100
	Pulg.	24	24	39	39

Durante los meses de calor veraniego será necesario hacer mantenimientos más frecuentes del filtro.

* Si no hay salto, puede seleccionar la bomba indicada entre corchetes (). Si hay un salto cuya altura exceda el máximo indicado, seleccione una bomba más grande.

** Sólo como referencia. El caudal final depende de numerosos factores, entre otros el largo y el diámetro de la manguera, las vueltas y dobleces en la manguera, y la altura de los saltos.

Baja densidad de peces = Sólo peces de colores, menos de 5 cm/1,9 pulg. por 100 litros/26 gal. EUA

Alta densidad de peces = Koi o peces de colores, más de 5 cm/1,9 pulg. por 100 litros/26 gal. EUA.

Instalación

Ubicación del filtro

Seleccione un lugar apropiado para su filtro Pressure-Flo, en función de las siguientes recomendaciones:

- Asegúrese de instalar el filtro en un lugar protegido de la luz solar directa y donde no pueda cubrirse totalmente de agua.
- Instálelo encima de la tierra, o bajo tierra con la abrazadera de la tapa (O) 5 cm/2 pulg. como mínimo sobre el nivel del suelo.
- Para evitar el recalentamiento, no cubra el filtro.
- Coloque el filtro a una distancia de 1 metro/3,2 pies como mínimo del borde del estanque y asegúrese de que no haya ninguna posibilidad de que se caiga al agua.
- Asegúrese de que tiene acceso libre a la tapa del filtro para realizar el mantenimiento.
- No haga funcionar el filtro con agua cuya presión sea superior a 0,4 bar u 5,8 PSI. Nunca conecte el filtro a la tubería principal del agua.**
- Coloque el filtro de manera tal que la entrada del agua (X), la salida del agua (W) y el orificio de drenaje (T) estén orientados en la dirección que corresponda para evitar que haya vueltas cerradas en la manguera.

Conexión de mangueras

El filtro Pressure-Flo requiere que se le conecten tres mangueras (no incluidas): una para la entrada del agua al filtro (desde la bomba del estanque), otra para la salida del agua filtrada hacia el estanque, y la tercera para evacuar el agua sucia del filtro a un lugar fuera del estanque, durante el mantenimiento.

Al seleccionar e instalar las mangueras para el uso previsto, escoja las que tengan el diámetro más grande y el largo más corto posible para maximizar así el caudal de agua y evitar que haya vueltas cerradas y dobleces en las mangueras.

Los filtros Pressure-Flo vienen con 3 acoplamientos universales tipo "click-fit" (H), que permiten conectar y desconectar las mangueras rápida y fácilmente. Conecte las mangueras flexibles a los acoplamientos "click-fit" y sujételas con las abrazaderas de manguera apropiadas (no incluidas).

IMPORTANTE — Los acoplamientos universales "click-fit" (H) permiten conectar mangueras flexibles de diámetros diferentes; sin embargo, es importante recortar los excedentes de las mangueras con el diámetro más pequeño para evitar cualquier restricción del caudal de agua.

Las mangueras flexibles que estén conectadas a los acoplamientos "click-fit" pueden desconectarse del aparato oprimiendo simplemente el botón del acoplamiento "click-fit" y tirando de las mangueras para separarlas. Para conectar los acoplamientos "click-fit" al aparato, deslícelos sobre los conectores machos ubicados en la tapa del aparato y asegúrese de que el botón del acoplamiento esté completamente salido.

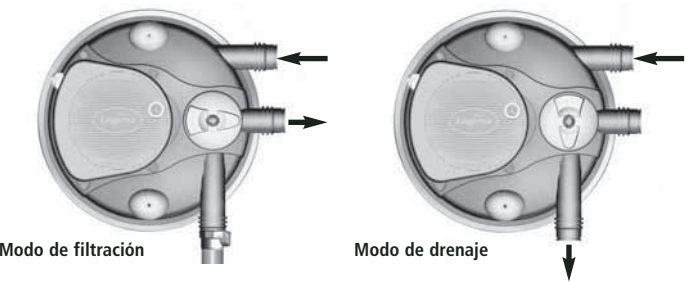
Entrada del agua (X): Es el lugar por donde el agua del estanque entra al filtro Pressure-Flo. Con una manguera Laguna que no se enrosca, conecte simplemente la salida de una bomba para tratamiento de residuos sólidos Laguna Max-Flo a la entrada de agua (X) del filtro Pressure-Flo. La bomba saca el agua sucia del estanque y la envía al filtro Pressure-Flo.

Salida del agua (W): Cuando el aparato está en modo de filtración, el agua filtrada vuelve al estanque por la salida del agua. La manguera conectada a la salida del agua (W) puede colocarse directamente en el estanque o usarse para crear un curso o salto de agua. Esta salida se activa cuando el selector de modo (V) apunta a la salida del agua (W) (modo de filtración). Para maximizar la circulación de agua en el estanque, el extremo de la manguera de salida debe colocarse tan lejos como sea posible de la toma de agua de la bomba.

Orificio de drenaje (T): Es el lugar por donde sale el agua sucia del filtro cuando se usa el sistema de limpieza por contracorriente. Conecte una manguera al orificio de drenaje para permitir que el agua sucia del filtro salga a la alcantarilla o al jardín. Esta salida se activa cuando el selector de modo (V) apunta al orificio de drenaje (T) (modo de drenaje).

IMPORTANTE — Durante el funcionamiento normal en el "modo de filtración", cierre el orificio de drenaje (T) con el tapón hermético "click-fit" (I).

CONSEJO: El agua sucia del estanque es rica en nutrientes y no contiene cloro, por lo que se presta muy bien para regar el jardín.



Puesta en marcha y funcionamiento del filtro

¡IMPORTANTE! — Antes de la primera puesta en marcha y de todas las puestas en marcha posteriores, haga las siguientes verificaciones:

- Antes de la primera puesta en marcha debe instalar la junta tórica de la tapa (P), que se suministra en una bolsa de polietileno separada. Esta junta tórica debe colocarse correctamente en su asiento, en la parte superior de la caja del filtro (Ilus. 1).
- Antes del primer arranque, es necesario instalar la lámpara UV-C y hacer una comprobación de humedad del filtro. Para instrucciones detalladas al respecto, consulte la sección sobre el cambio de la lámpara UV-C y la limpieza del manguito de cuarzo.
- El medio filtrante biológico debe colocarse en la caja del filtro, como aparece en la ilustración (excepto la UV-C, Pressure-Flo 2500) (Ilus. 2)
- Asegúrese de que la tapa (G) está bien cerrada y sujeta con la abrazadera de la tapa (O) y que la junta tórica (P) está colocada correctamente en su asiento. **IMPORTANTE:** antes de poner la abrazadera de la tapa (O), empuje la tapa (G) hacia abajo hasta que el espacio que hay entre la tapa y la caja desaparezca. La tapa debe tener el fiador correctamente insertado en la ranura. **ADVERTENCIA:** al cerrar la abrazadera de la tapa, tenga cuidado de no apretarse los dedos o apretar el cable. Se puede colocar un candado (no incluido) en el agujero inferior de la traba de seguridad (Z) para una mayor sujeción.
- El selector de modo (V) debe ponerse en la posición de "modo de filtración" y debe apuntar a la salida del agua (W). **El selector de modo (V) debe girarse 90° completos; no lo coloque en ninguna posición intermedia.**
- Asegúrese de que todas las mangueras están bien conectadas al aparato y colocadas en su posición definitiva. Asegure que la sección macho de todos los acoplamientos de instalación rápida Click-Fit tiene una junta tórica de caucho (aa).

Durante el funcionamiento normal en el "modo de filtración", cierre el orificio de drenaje (T) con el tapón hermético "click-fit" (I).

Asegúrese siempre de que el tapón hermético "click-fit" está enclavado como corresponde (botón pulsador completamente salido).

ADVERTENCIA – No haga funcionar la lámpara UV-C (B) sin que circule agua por el filtro.

Después de hacer las verificaciones anteriores, haga lo siguiente:

- Arranque la bomba y haga funcionar el filtro durante unos minutos para comprobar que no haya ninguna pérdida de agua.
- Si todo está en orden y el agua circula normalmente por el filtro, enchufe la lámpara UV-C (B) del filtro Pressure-Flo en una toma de corriente. La luz indicadora (R) se enciende y tiene un brillo azul cuando los rayos UV están funcionando. Esta luz se ve mejor después del anochecer.

Deje que el filtro funcione las 24 horas del día e, idealmente, todos los días del año, a condición de que no haya helada y el agua pueda circular libremente por el filtro.

Sistema de limpieza por contracorriente

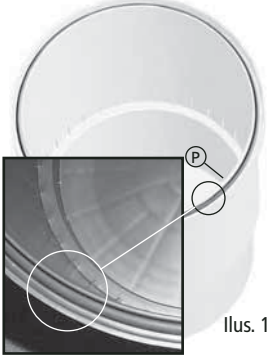
Cuando la superficie de la espuma filtrante se obstruye, el funcionamiento normal del filtro se puede restablecer rápida y eficazmente con el **sistema de limpieza por contracorriente**, sin que sea necesario abrir el aparato. La limpieza debería realizarse por lo menos una vez por semana o cuando el indicador de limpieza (U) detecta que el filtro está obstruido o cuando el agua que sale del filtro es turbia.

Si el estanque está muy sucio y durante las primeras semanas de uso del filtro, puede ser necesario hacer limpiezas más frecuentes.

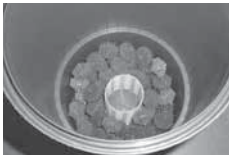
Haga lo siguiente:

- Saque el tapón hermético "click fit" del orificio de drenaje (T). **PRECAUCIÓN:**saldrá un poco de agua todavía.
- Conecte la manguera de drenaje al orificio (T) y asegúrese de que expulse el agua sucia donde se desee.
- Ponga el selector de modo (V) en la posición modo de drenaje (que apunta el selector directamente al orificio (T)).
- Suba y baje las manijas de limpieza (S). Este deslizamiento hace que las hojas de limpieza que están dentro del aparato froten la cara de las espumas filtrantes, removiendo y suspendiendo los desechos en la cámara exterior del filtro. El agua con los desechos en suspensión sale del filtro por el orificio de drenaje (T) que está directamente conectado a la cámara exterior del filtro. Siga haciendo esto hasta que vea que sale agua limpia por la manguera.

ADVERTENCIA — El sistema de limpieza usa agua del estanque, un factor que debe



Ilus. 1



Ilus. 2



tomarse en cuenta al usar dicho sistema. Cuando termine la limpieza, agregue agua al estanque hasta el nivel deseado.

5) Ponga el selector de modo (V) en la posición de "modo de filtración" (el selector debe apuntar directamente a la salida del agua (W)).

6) Cierre el orificio de drenaje (T) con el tapón hermético "click-fit" (I). Asegúrese de que el tapón hermético "click-fit" está enclavado como corresponde (botón pulsador completamente salido).

Si el filtro sigue obstruido al terminar este procedimiento de limpieza, haga la limpieza de los medios filtrantes biológicos y de espuma que se describe a continuación.

Limpieza y mantenimiento del filtro Pressure-Flo

ADVERTENCIAS:

• No trate de abrir la abrazadera de la tapa (O) y de levantar la tapa cuando la bomba y el filtro están funcionando. El cierre de la abrazadera tiene un fiador para impedir que se abra accidentalmente.

• ¡NO MIRE LA LÁMPARA UV-C CUANDO ESTÁ ENCENDIDA! La exposición directa a la luz ultravioleta puede dañar los ojos y la piel.

• La lámpara UV-C (B) y el manguito de cuarzo (C) son de vidrio. Manipule todas las piezas con cuidado.

• Asegúrese de que todas las piezas eléctricas internas de este aparato están secas antes, durante y después de las operaciones de mantenimiento.

• El selector de modo (V) sólo desvía el agua, pero no detiene el flujo.

Sistema de limpieza por contracorriente

Limpieza de los medios filtrantes biológicos y de espuma

Cuando el **sistema de limpieza por contracorriente** no da los resultados esperados o, en todo caso, por lo menos una vez por estación, puede ser necesario lavar a fondo los filtros de espuma (M) o reemplazarlos, según sea necesario. Durante los meses de calor veraniego, se deben hacer limpiezas más frecuentes.

Durante este procedimiento, también se pueden limpiar o reemplazar los medios filtrantes biológicos (excepto en Pressure-Flo 2500 UVC).

- Apague la lámpara UV-C (B) desconectando el enchufe de la fuente de alimentación principal.
- Apague la bomba que suministra agua al filtro Pressure-Flo.
- Desconecte todas las mangueras del aparato oprimiendo el botón pulsador de los acoplamientos "click-fit" y tirando para separar las mangueras.
- Levante lentamente y hasta el máximo las manijas de limpieza
- Con una herramienta, saque el fiador de la abrazadera metálica de la tapa (O) y abra la abrazadera.
- Para sacar la tapa (G), tome las manijas de limpieza (S) o haga palanca con un destornillador de cabeza plana al costado de las ranuras. **PRECAUCIÓN: no fuerce las varillas de guía porque puede dañar el aparato.**

ADVERTENCIA — En la tapa está integrada la unidad UV-C, con su lámpara y el manguito de cuarzo hechos de vidrio. ¡MANIPULE TODAS LAS PIEZAS CON CUIDADO!

7) Ahora tiene acceso a los filtros de espuma (M). Sáquelos todos juntos, agarrando y levantando el tubo de malla interno y de la placa de soporte de la espuma filtrante (N).

8) Saque los filtros de espuma (M) del tubo de malla y de la placa de soporte (N) y enjuáguelos con agua del estanque o reemplácelos, según sea necesario.

9) Enjuague el medio filtrante biológico situado en la sección inferior de la caja del filtro (Q) con el agua del estanque o cámbielo cuando sea necesario. La lámpara UV-C, Pressure-Flo 2500, no tiene una cámara para medio filtrante biológico.

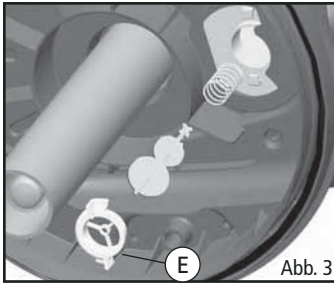


Abb. 3

10) Limpie la caja del filtro (Q) con agua, poniendo atención especial en el borde superior donde está instalada la junta tórica (P) que sella la tapa.

11) Para limpiar el indicador de limpieza (U), debe primero desarmarlo de la manera siguiente: 1) saque el aro de brida (E) girándolo hacia la izquierda. (el selector de modo -V- debe estar en el modo de filtrado). 2) Saque el indicador y el resorte del mismo. Enjuague todas las piezas con agua y vuelva a armarlas cuidadosamente. (Ilus. 2)



Abb. 4

12) Revise y limpie las dos hojas de limpieza (L) y las varillas de guía. De ser necesario, reemplace las hojas desgastadas con hojas nuevas. Las hojas individuales se pueden separar fácilmente de la varilla de guía desatornillando el tornillo del centro.

- 13) Vuelva a colocar los medios filtrantes biológicos y de espuma en su lugar original. Asegúrese de que los filtros de espuma están apilados como corresponde, sin que haya ningún espacio entre ellos.
- 14) Vuelva a armar el aparato cuidadosamente. Asegúrese de que los medios filtrantes biológicos no interfieren con la placa de soporte de la espuma filtrante (N) y que la placa está instalada correctamente.
- 15) Ahora puede volver a poner en marcha el filtro. Lea y siga todas las instrucciones en la sección **Puesta en marcha y funcionamiento del filtro.**

NUNCA use jabón o detergentes para limpiar el aparato, ya que los residuos de tales productos pueden contaminar el estanque y dañar los tejidos sensibles de los peces.

Limpieza y reemplazo del manguito de cuarzo

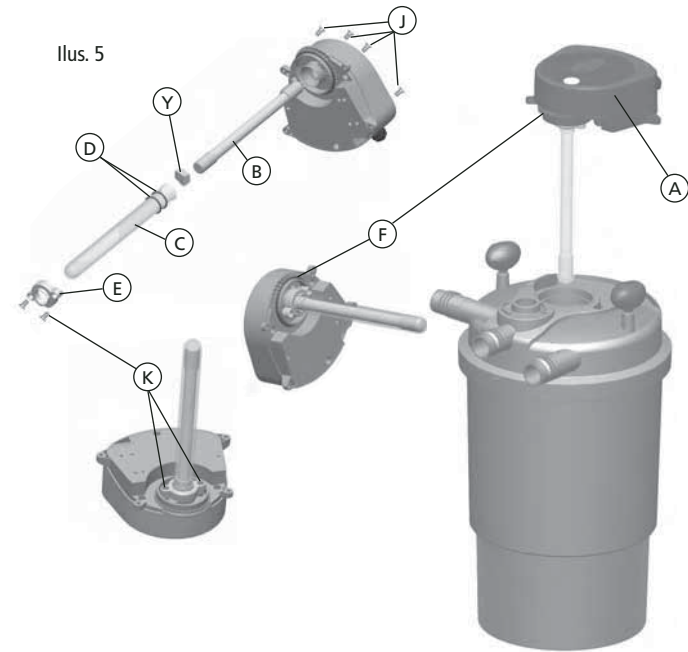
Reemplazo de la lámpara UV-C: Para mantener el rendimiento óptimo de la lámpara UV-C (B), debería cambiarla una vez por año, idealmente en la primavera, cuando se hace el mantenimiento del estanque previo a la temporada de uso del mismo.

Limpieza del manguito de cuarzo: Aunque el agua que pasa por la sección UV-C del filtro Pressure-Flo es filtrada, el manguito de cuarzo (C) puede cubrirse con una película de cal que reducirá el desempeño de la lámpara UV-C (B). Se recomienda verificar y limpiar regularmente el manguito de cuarzo (C). La frecuencia de la limpieza dependerá de las condiciones del estanque.

Para tener acceso a la lámpara UV-C (B) y al manguito de cuarzo (C), haga lo siguiente

- 1) Apague la lámpara UV-C (B) desenchufándola de la fuente de electricidad principal.
- 2) Apague la bomba que suministra agua al filtro Pressure-Flo.
- 3) Desconecte todas las mangueras del aparato oprimiendo el botón pulsador de los acoplamientos "click-fit" y tirando para separar las mangueras.
- 4) Saque la tapa superior (A) (ilus. 5) del aparato, desatornillando los 4 tornillos (J) que la sujetan a la tapa del filtro (G).
- 5) Ahora se puede limpiar el manguito de cuarzo (C), si lo requiere. **Para limpiarlo, utilice un trapo suave y húmedo y, para la suciedad difícil de quitar, un poco de vinagre. No utilice detergentes ni otros limpiadores químicos.**

Si la lámpara UV-C no necesita cambiarse, pase directamente al número 10.



- 6) Para tener acceso a la lámpara UV-C (B), saque el aro de brida del manguito de cuarzo (E), desatornillando los 2 tornillos (K) que lo sujetan a la tapa superior.
- 7) Saque la lámpara UV-C (B) del portalámparas (si no es el primer arranque) y cámbiela por otra nueva. Las espigas del portalámparas deben estar orientadas correctamente. Si la lámpara no entra, gírela 90°. **ADVERTENCIA: NO TRATE DE MIRAR LA LÁMPARA CUANDO ESTÉ ENCENDIDA.** La exposición directa a los rayos ultravioletas puede lesionar los ojos y la piel. No pruebe la lámpara UV-C a menos que el filtro esté totalmente armado y cerrado. **IMPORTANTE** – Utilice sólo piezas de repuesto Laguna originales. Consulte la lista de piezas de repuesto para conocer el número de identificación correcto de la pieza.
- 8) Vuelva a colocar el manguito de cuarzo (C) y las dos juntas tóricas (D) en su posición original. **IMPORTANTE** – El amortiguador de la lámpara (Y) que está dentro del manguito de cuarzo debe asentarse entre la lámpara y la parte inferior del manguito. No lo saque. **IMPORTANTE** – Las dos juntas tóricas (D) del manguito de cuarzo (C) deberán cambiarse cada vez que se abra el aparato.

- 9) Vuelva a colocar el aro de brida (E) en su posición original y sujételo con los dos tornillos (K).
- 10) Examine el manguito de cuarzo (C) para asegurarse de que no está dañado. Verifique que tiene todos los componentes y está armado como corresponde. Si tiene dudas, consulte a su distribuidor de productos Laguna.
- 11) Reinstale la tapa superior (A) en la tapa del filtro (G). Antes de sujetar la tapa superior a la tapa del filtro con los tornillos (J), asegúrese de que la junta tórica interior (F) está en su posición correcta.
- 12) Sujete la tapa superior (A) a la tapa del filtro, insertando y apretando los 4 tornillos (J). **ADVERTENCIA – Peligro de choque eléctrico: antes de encender la lámpara, asegúrese de que TODAS LAS JUNTAS TÓRICAS están puestas en su posición original, TODOS LOS TORNILLOS están ajustados y el aparato no está dañado. Antes de enchufar el aparato a la fuente de alimentación, haga la comprobación de humedad del filtro (ver abajo).**
- 13) Ahora puede volver a poner en marcha el filtro. Lea y siga todas las instrucciones en la sección **Puesta en marcha y funcionamiento del filtro.**

Almacenamiento durante el invierno

El aparato debe protegerse de las heladas. En el frío invernal el aparato debería apagarse. Luego de apagarlo, vacíe el agua, saque el aparato de su lugar de instalación y guárdelo en un área seca y protegida de la intemperie. Se recomienda dejar la tapa del aparato abierta.

Comprobación de humedad del filtro

Una vez armado, el aparato debe pasar la prueba de comprobación de humedad antes de conectarlo a la fuente de alimentación. Esta prueba debe repetirse cada vez que la lámpara y el manguito de cuarzo se cambien o desarmen.

- 1) Conecte el filtro de acuerdo con las instrucciones de instalación, pero NO ENCIENDA el aparato. Prenda la bomba y déjela funcionar durante 24 horas.
- 2) Después de 24 horas, apague la bomba y saque la cabeza de la lámpara UV-C (A) del filtro, desatornillando los cuatro tornillos (J). No desmonte más piezas.
- 3) Verifique el interior del manguito de cuarzo (C) para ver si tiene pérdidas. Si hay agua adentro del manguito y alrededor de la lámpara, NO ENCHUFE el aparato a la fuente de alimentación; llévelo a un servicio autorizado de Laguna o a una persona con acreditación similar para que lo examine.

Por otra parte, si no se ve agua dentro del manguito de cuarzo (C), vuelva a armar cuidadosamente el aparato y úselo conforme a las pautas dadas en la Guía de instalación y mantenimiento.

INFORMACIÓN TÉCNICA

120V/60HZ		PF 700 UVC	PF 1400 UVC	PF 2100 UVC	PF 3200 UVC
230-240V/50HZ		PF 2500 UVC	PF 5000 UVC	PF 8000 UVC	PF 12000 UVC
Grado de protección		IP 55	IP 55	IP 55	IP 55
Tamaño máx. del aparato	mm	Ø285 - h350	Ø285 - h510	Ø365 - h525	Ø365 - h640
	pulg.	Ø11.2 - h13.7	Ø11.2 - h20	Ø14.3 - h20.6	Ø14.3 - h25.2
Altura de la caja de filtro	mm	230	385	400	500
	pulg.	9	15.2	15.7	19.7
Potencia UV-C	W	11	11	20	25
Presión máx. aplicable (altura máx.)	baras	0,4	0,4	0,4	0,4
	PSI	5.8	5.8	5.8	5.8
Caudal de agua máx. sugerido	l/h	1250	2500	4000	6000
	gal. EUA/h	330	660	1057	1585
Cantidad de espuma	cant.	3	4	4	5
Volumen de la caja	litros	10	17,5	31	40
	gal. EUA	2.6	4.6	8.2	10.6
Cantidad máx. de Biospheres	cant.	no corresponde	80	160	220
Conexión de las mangueras de entrada y salida		Acoplamiento universal "click-fit": 3/4 pulg., 1 1/4 pulg./19, 25, 32 mm (1 1/4 pulg./32 mm hembra)	Acoplamiento universal "click-fit": 3/4 pulg., 1 pulg., 1 1/4 pulg./19, 25, 32 mm (1 1/4 pulg./32 mm hembra)	Acoplamiento universal "click-fit": 3/4 pulg., 1 pulg., 1 1/4 pulg./19, 25, 32 mm (1 1/4 pulg./32 mm hembra)	Acoplamiento universal "click-fit": 3/4 pulg., 1 pulg., 1 1/4 pulg./19, 25, 32 mm (1 1/4 pulg./32 mm hembra)

Piezas de repuesto					
120V/60HZ		PF 700 UVC	PF 1400 UVC	PF 2100 UVC	PF 3200 UVC
230-240V/50HZ	*	PF 2500 UVC	PF 5000 UVC	PF 8000 UVC	PF 12000 UVC
Lámpara UV-C + 2 juntas tóricas	B	PT-1520	PT-1520	PT-1521	PT-1522
Manguito de cuarzo + 2 juntas tóricas	C D	PT-1524	PT-1524	PT-1525	PT-1526
Juntas tóricas para el manguito de cuarzo (2 piezas)	D	PT-1527	PT-1527	PT-1527	PT-1527
Aro de brida del manguito de cuarzo	E	PT-1528	PT-1528	PT-1528	PT-1528
Junta tórica para la tapa del filtro	F	PT-1530	PT-1530	PT-1530	PT-1530
Acoplamiento universal "click-fit"	H	PT-640	PT-640	PT-640	PT-640
Tapón hermético "click-fit"	I	PT-1543	PT-1543	PT-1543	PT-1543
Tornillos de la tapa superior + Tornillos para el aro de brida del manguito de cuarzo (6 piezas)	J K	PT-1529	PT-1529	PT-1529	PT-1529
Hojas para limpiar la espuma filtrante (2 piezas)	L	PT-1513	PT-1513	PT-1514	PT-1514
Filtro de espuma (1 pieza)	M	PT-1510	PT-1510	PT-1511	PT-1511
Junta tórica para sellar la tapa	P	PT-1535	PT-1535	PT-1536	PT-1536
Indicador de limpieza (reborde/indicador/resorte)	U	PT-1538	PT-1539	PT-1540	PT-1541
Bioesferas	—	—	PT-1785	PT-1785	PT-1785
Juntas tóricas de caucho	aa	PT-743	PT-743	PT-743	PT-743

*Vea las ilustraciones de los productos.

CANADA

WARRANTY REGISTRATION CARD / FICHE DE GARANTIE RETURN TO VALIDATE YOUR GUARANTEE / À RETOURNER POUR VALIDER VOTRE GARANTIE

In order to help us serve you better, please complete and mail in this Registration Card. Or, if you prefer, you may register on our web site (www.hagen.com). Afin de nous aider à mieux vous servir, veuillez remplir et retourner cette Carte d'enregistrement. Ou bien, vous pouvez enregistrer le modèle sur notre site Web (www.hagen.com).

Mr./M Mrs./Mme Miss/Mlle Ms (PLEASE PRINT/VEULLIEZ ÉCRIRE EN LETTRES MOULÉES)

NAME NOM _____
First Name/Prénom Last Name/Nom de famille

ADDRESS ADRESSE _____

CITY VILLE _____ PROV. _____ POSTAL CODE CODE _____

TEL. TÉL. _____ E-MAIL COURRIEL _____

DATE PURCHASED DATE DE L'ACHAT _____ STORE MAGASIN _____
DD/JJ MM/MM YY/AA

CITY VILLE _____ PROVINCE _____

**WAS THIS A GIFT?
S'AGIT-IL D'UN CADEAU?**

YES OUI NO NON

LAGUNA PRESSURE-FLO
CHECK PRODUCT PURCHASED / COCHER LE PRODUIT LAGUNA ACHETÉ

PF 700 UVC (PT-1500) PF 1400 UVC (PT-1502) PF 2100 UVC (PT-1504) PF 3200 UVC (PT-1506)

Rolf C. Hagen Inc. 3225, rue Sartelon Montréal (Québec) H4R 1E8

FRANCE

FICHE DE GARANTIE À RETOURNER POUR VALIDER VOTRE GARANTIE

Afin de nous aider à mieux vous servir, veuillez remplir et retourner cette Carte d'enregistrement. Ou bien, vous pouvez enregistrer le modèle sur notre site web (www.hagen.com).

M Mme Mlle Ms (VEULLIEZ ÉCRIRE EN LETTRES MOULÉES)

NOM _____
Prénom Nom de famille

ADRESSE _____

VILLE _____ CODE POSTAL _____

TÉL. _____ COURRIEL _____

DATE DE L'ACHAT _____ MAGASIN _____
JJ MM AA

VILLE _____ CODE POSTAL _____

S'AGIT-IL D'UN CADEAU?

OUI NON

FILTRE INSTALLÉ

HORS TERRE SOUS TERRE

LAGUNA PRESSURE-FLO
COCHER LE PRODUIT LAGUNA ACHETÉ

2500 UVC (PT-1500) 8000 UVC (PT-1504)
 5000 UVC (PT-1502) 12000 UVC (PT-1506)

Rolf C. Hagen (France) SA, Parisud 4, Boulevard Jean Monnet, F-77388, Combs la Ville, France

U.S.A.

WARRANTY REGISTRATION CARD RETURN TO VALIDATE YOUR GUARANTEE

In order to help us serve you better, please complete and mail in this Registration Card. Or, if you prefer, you may register on our web site (www.hagen.com).

Mr. Mrs. Miss Ms (PLEASE PRINT)

NAME _____
First Name Last Name

ADDRESS _____

CITY _____ STATE _____ ZIP CODE _____

TEL. _____ E-MAIL _____

DATE PURCHASED _____ STORE _____
DD MM YY

CITY _____ STATE _____

WAS THIS A GIFT?

YES NO

LAGUNA PRESSURE-FLO
CHECK PRODUCT PURCHASED / COCHER LE PRODUIT LAGUNA ACHETÉ

PF 700 UVC (PT-1500) PF 1400 UVC (PT-1502) PF 2100 UVC (PT-1504) PF 3200 UVC (PT-1506)

Rolf C. Hagen (U.S.A) Corp. P.O. Box 9107, Mansfield, MA 02048 U.S.A.

DEUTSCHLAND

GARANTIE-REGISTRIERUNGSKARTE BITTE ZURÜCKSENDEN ZUR ERHALTUNG DER GARANTIE

Damit wir Sie besser betreuen können, füllen Sie bitte diese Registrierungskarte aus und schicken Sie sie an uns zurück. Falls Sie dies vorziehen, können Sie sich stattdessen auch auf unserer Website unter www.hagen.com registrieren.

Herr Frau (BITTE IN DRUCKSCHRIFT AUSFÜLLEN)

NAME _____
Vorname Familienname

ADRESSE _____

STADT _____ LAND _____ POSTLEITZAHL _____

TELEFON-NUMMER _____ ALTER _____ GESCHLECHT M W

KAUFDATUM _____ GESCHÄFT _____
TT MM JJ

STADT _____ LAND _____

WAR ES EIN GESCHENK?

JA NEIN

FILTER-INSTALLATION

FREISTEHEND IN DER ERDE

LAGUNA PRESSURE-FLO
WELCHES PRODUKT WURDE ERWORBEN

2500 UVC (PT-1500) 8000 UVC (PT-1504)
 5000 UVC (PT-1502) 12000 UVC (PT-1506)

HAGEN Deutschland GmbH & Co. KG, Lehmweg 99-105, D-25488 Holm

U.K.

WARRANTY REGISTRATION CARD RETURN TO VALIDATE YOUR GUARANTEE

In order to help us serve you better, please complete and mail in this Registration Card. Or, if you prefer, you may register on our web site (www.hagen.com).

Mr. Mrs. Miss Ms (PLEASE PRINT)

NAME _____
First Name Last Name

ADDRESS _____

CITY _____ AGE GROUP: 16 OR LESS 17-35 36-60 OVER 60 SEX: MALE FEMALE

TEL. _____ E-MAIL _____

OCCUPATION: PROFESSIONAL/MANAGEMENT CLERICAL MANUAL STUDENT RETIRED UNEMPLOYED
 OTHER (PLEASE SPECIFY) _____

WHICH FACTOR MOST INFLUENCED YOUR DECISION TO PURCHASE THIS PRODUCT: STORE DISPLAY ADVERTISEMENT RETAILER RECOMMENDATION
 RECOMMENDATION OF A FRIEND OR RELATIVE OTHER (PLEASE SPECIFY) _____

WAS THIS A GIFT?

YES NO

FILTER INSTALLED

ABOVE-GROUND IN-GROUND

LAGUNA PRESSURE-FLO
CHECK LAGUNA PRODUCT PURCHASED

2500 UVC (PT-1500) 8000 UVC (PT-1504)
 5000 UVC (PT-1502) 12000 UVC (PT-1506)

Rolf C. Hagen (U.K.) Ltd. California Dr. Whitwood Industrial Estate, Castleford, West Yorkshire WF10-5QH

ESPAÑA

TARJETA DE REGISTRO DE GARANTÍA DEVUÉLVALA CON LA INFORMACIÓN CORRESPONDIENTE PARA VALIDAR SU GARANTÍA

Para brindarle un mejor servicio, sírvase llenar y mandar esta tarjeta de registro de la garantía; si lo prefiere, puede registrarse en nuestro sitio Web (www.hagen.com)

NOMBRE Y APELLIDOS _____

DIRECCIÓN _____

CIUDAD _____ PROVINCIA _____ CÓDIGO POSTAL _____

TELÉFONO _____ EDAD _____ SEXO _____

FECHA DE ADQUISICIÓN _____ COMERCIO _____

CIUDAD _____ PROVINCIA _____

¿FUÉ UN REGALO?

SI NO

LAGUNA PRESSURE-FLO
MARQUE EL ARTÍCULO LAGUNA COMPRADO

PF 2500 UVC (PT-1500) PF 5000 UVC (PT-1502) PF 8000 UVC (PT-1504) PF 12000 UVC (PT-1506)

Rolf C. Hagen España S.A., Av. de Beniparrell P.I. L'Altero n. 11 y 13, 46460 Silla, Valencia.



PRESSURE-FLO

Service

If you have a problem or question about the operation of this product, please let us try to help you before you return the product. Most problems can be handled promptly over the phone. When you call, please have all relevant information, such as model number and/or part numbers.

Call our Customer Service Department:

CANADA ONLY: Toll Free Number 1-800-55HAGEN (1-800-554-2436)Between 9:00 AM and 5:00 PM Eastern Time.

U.S. ONLY: Toll Free Number 1-800-724-2436Between 9:00 AM and 4:00 PM Eastern Time.

U.K. ONLY: Helpline Number 01977 556622Between 9:00 AM and 5:00 PM.

AUTHORIZED WARRANTY REPAIR SERVICE

If this product is defective, return it along with proof of purchase to either the store where you bought it or to:

CANADA: Rolf C. Hagen Inc., 3225 Sartelon St., Montreal, Quebec H4R 1E8

US: Rolf C. Hagen (USA) Corp., 305 Forbes Blvd., Mansfield, MA 02048-1892

U.K.: Rolf C. Hagen (UK) Ltd., California Dr. Whitwood Ind. Est.,
Castleford, West Yorkshire WF10-5QH

For general information on our whole product

range, explore our website at:

www.hagen.com

Service après-vente

Si cet appareil vous semble défectueux ou que vous vous posez des questions quant à son fonctionnement, n'hésitez pas à communiquer avec nous avant de le retourner au marchand. Notre ligne téléphonique nous permet de régler la plupart des problèmes. S.V.P. ayez à la main tous les renseignements pertinents (p. ex. le numéro du modèle ou de la pièce).

FRANCE: Tél : (33) 01.64.88.14.18

RÉPARATION D'UN ARTICLE SOUS GARANTIE

Si l'appareil est défectueux, le retourner avec une preuve d'achat à l'animalerie de votre région ou à :

FRANCE: Rolf C. Hagen (France) SA, Service à la clientèle,
Parisud 4, boulevard Jean Monnet, Combs la Ville, F-77388

Si vous désirez des renseignements sur notre gamme de produits,

n'hésitez pas à visiter notre site Web au :

www.hagen.com

Kundendienst

Falls dieses Produkt fehlerhaft sein sollte, geben Sie es zusammen mit dem Kaufnachweis entweder an Ihren örtlichen Zoofachhändler oder senden Sie es mit im voraus bezahlten Versandkosten an:

HAGEN Deutschland GmbH & Co. KG

Lehmweg 99 - 105

D-25488 Holm

KUNDENDIENST

Bei Problemen wenden Sie sich bitte an Ihren örtlichen Zoofachhändler oder den Kundendienst:

HAGEN Deutschland GmbH & Co. KG, Lehmweg 99-105, D-25488 Holm

Mehr Informationen über unser gesamtes Produktprogramm erhalten Sie auf unserer Website:

www.hagen.com

Servicio

Si tiene usted algún problema o pregunta acerca del empleo de este producto, permítanos ayudarle antes de devolver el producto a la tienda. La mayoría de los problemas pueden resolverse inmediatamente, mediante una simple llamada telefónica.

Cuando nos llame (o nos escriba) dénos toda la información más pertinente: número de modelo y/o número de piezas.

Llame a nuestro departamento de Servicio a la Clientela:

ESPAÑA: Tel: 963111298 - 961200945 / Fax: 963111297.....Lunes a viernes, de las 9 a las 14 horas y de las 16 a las 19 horas

e-mail: ventas@rchagen.com

SERVICIO AUTORIZADO DE REPARACIÓN BAJO GARANTÍA

Si este producto resultase ser defectuoso, devuélvalo junto con la factura al comercio donde fué adquirido o bien a:

ESPAÑA: Rolf C. Hagen España S.A
Av. de Beniparrell Pl. L'Altero n. 11 y 13, 46460 Silla, Valencia.

Para información general sobre la gama completa de nuestros productos.

Visite nuestro sitio web: www.hagen.com

MADE IN ITALY

Distributed by:

CANADA: ROLF C. HAGEN INC.

3225 rue Sartelon, Montréal, Québec, Canada H4R 1E8

USA: ROLF C. HAGEN (USA) CORP. Mansfield, MA 02048, USA

UK: ROLF C. HAGEN (UK) LTD. California Drive, Whitwood Industrial Estate,

Castleford, West Yorkshire, WF10 5QH, England

GERMANY: HAGEN Deutschland GmbH & Co. KG, 25488 Holm

FRANCE: ROLF C. HAGEN (FRANCE) SA.

F-77388 Combs la Ville

SPAIN: Rolf C. Hagen España S.A., Av. de Beniparrell n. 11 y 13,

46460 Silla, Valencia

www.hagen.com