



**Laguna**

Multi-Purpose, Submersible Only  
Polyvalentes, Seulement Submersibles  
Mehrzweckpumpen, nur zum Eintauchen  
Multiuso, Sumergibles Solamente

**Laguna Utility Pumps 1 to 7**  
**Pompes Laguna 1 à 7 à usage général**  
**Bombas Funcionales Laguna 1-7**  
**Laguna Wasserpumpen 1-7**



Distributed by : / Distribué par :

Canada : **Rolf C. Hagen Inc.** Montreal, QC H4R 1E8

U.S.A. : **Rolf C. Hagen (U.S.A.) Corp.** Mansfield Ma. 02048

U.K. : **Rolf C. Hagen (U.K.) Ltd.** Castleford, W. Yorkshire WF10 5QH

France : **Rolf C. Hagen (France) Sa.** F94387 Bonneuil-sur-Marne, France

Made in Italy / Fabriqué en Italie



## Contents

English Instructions . . . . .	1
Instructions Françaises . . . . .	12
Bedienungsanleitung Deutsch. . . . .	23
Specifications/Spécifications Especificacione/Spesifikationen . . . . .	26
Instrucciones Espanol . . . . .	36
Warranty Cards/Fiche de Garantie Garantie Registrierungskarte Tarjeta de Registro de Garantia . . . . .	47

# LAGUNA UTILITY PUMPS

For Indoor and Submersible Use Only  
For Fresh or Salt Water Use

## INSTRUCTIONS

Read Thoroughly prior to installation and operation

## IMPORTANT SAFEGUARDS

To guard against injury, basic safety precautions should be observed when handling the Laguna Utility Pump, including the following:

- 1. READ AND FOLLOW ALL SAFETY INSTRUCTIONS** and all important notices on the appliance before using for the complete enjoyment, use and understanding of this product. Failure to do so may result in damage to the unit.
- 2. DANGER** – To avoid possible electrical shock, special care should be taken since water is employed in the use of this equipment. For each of the following situations, do not attempt repairs yourself; return the appliance to an authorized service facility for service or discard the appliance.
  - A.** If the Pump falls into the water, **DON'T** reach for it! First unplug it and then retrieve it. If the electrical components of the appliance get wet, unplug the appliance immediately.
  - B.** If the Pump shows any sign of abnormal water leakage, immediately unplug it from the power source.
  - C.** Carefully examine the appliance after installation. It should not be plugged in if there is water on parts not intended to be wet.
  - D.** Do not operate any appliance if it has a damaged cord or plug, or if it is malfunctioning or if it is dropped or damaged in any manner. **The power cord of this appliance cannot be replaced; if the cord is damaged, the appliance should be discarded. Never cut the cord.**

## Contents

English Instructions . . . . .	1
Instructions Françaises . . . . .	12
Bedienungsanleitung Deutsch. . . . .	23
Specifications/Spécifications Especificacione/Spesifikationen . . . . .	26
Instrucciones Espanol . . . . .	36
Warranty Cards/Fiche de Garantie Garantie Registrierungskarte Tarjeta de Registro de Garantia . . . . .	47

# LAGUNA UTILITY PUMPS

For Indoor and Submersible Use Only  
For Fresh or Salt Water Use

## INSTRUCTIONS

Read Thoroughly prior to installation and operation

## IMPORTANT SAFEGUARDS

To guard against injury, basic safety precautions should be observed when handling the Laguna Utility Pump, including the following:

- 1. READ AND FOLLOW ALL SAFETY INSTRUCTIONS** and all important notices on the appliance before using for the complete enjoyment, use and understanding of this product. Failure to do so may result in damage to the unit.
- 2. DANGER** – To avoid possible electrical shock, special care should be taken since water is employed in the use of this equipment. For each of the following situations, do not attempt repairs yourself; return the appliance to an authorized service facility for service or discard the appliance.
  - A.** If the Pump falls into the water, **DON'T** reach for it! First unplug it and then retrieve it. If the electrical components of the appliance get wet, unplug the appliance immediately.
  - B.** If the Pump shows any sign of abnormal water leakage, immediately unplug it from the power source.
  - C.** Carefully examine the appliance after installation. It should not be plugged in if there is water on parts not intended to be wet.
  - D.** Do not operate any appliance if it has a damaged cord or plug, or if it is malfunctioning or if it is dropped or damaged in any manner. **The power cord of this appliance cannot be replaced; if the cord is damaged, the appliance should be discarded. Never cut the cord.**

total insulation against water damage and electrical shock. The motor is extremely compact, energy efficient and maintenance-free, while at the same time producing a powerful continuous output flow.

### **Choosing the right output for the application**

Laguna Utility pumps can be used in a wide variety of applications, and their wide range of output flows at various heights will accommodate almost every circumstance. What is most important is to define the needs of the application and ensure the pump will be adequate to the job. The factors that influence pump capacity include Head Height, hose and fitting resistance:

---

**Head height:** *Vertical distance between water surface and water discharge.*

**Hose Resistance:** *For every ten feet (3 m) of hose, add one foot (30 cm) to the head height.*

**Fitting Resistance:** *For every elbow connector, add one foot (30 cm) to the head height.*

---

Determine the head height first, the vertical distance from water surface to water outlet. To this, add the amount of hose needed to transport the water from pump exhaust to the water outlet. When pipe fittings are used to go around corners, the resistance to water flow created by a 90° elbow is equivalent to adding one foot (30 cm) per unit.

If the installation requires a 90 cm (3 ft) lift from surface to output, requires 3 m (10 ft) of hose and one elbow, then the actual head is 150 cm (5 ft).

## **INSTALLATION**

**Caution:** **Disconnect the plug of this and any other submerged appliance before placing hands in water.**

**Important:** Always use the largest bore hose possible. Avoid sharp bends in the hose, gentle curves present less resistance and water flow loss.

## **ATTACH INPUT/OUTPUT HOSES:**

*The Laguna Utility Pump 1:* accepts a hose on the output only.

*The Laguna Utility Pumps 2 and 3:* smooth hose adapters on both input and output sides receive the hose directly. If required, a hose clamp (optional) can be used to clamp the hose on the adapter in a more permanent fashion. For ornamental accessories, use the Stepdown Output Hose Adapter (1/2", 13 mm)

*Laguna Utility Pumps 4, 5, 6 and 7:* each employs the exclusive Click-Fit coupling for both input and output. The fitting is barbed to ensure a tight fit and superb connection between hose and connector. If a hose clamp is desired, the barbed configuration ensures there will be no loosening during the pump's operation. Once installed there is no need to remove the hose from the fitting. The Click-Fit coupling snaps on and off with the press of a thumb to make maintenance simple and quick. For permanent connections directly to the pump, there are input and output stems built into the Motor Cover that will accept a hose clamp.

## **Flow Control**

The only unit with an adjustable flow control is the Laguna Utility Pump 1. Adjust the slide bar on the Motor Cover to increase or decrease flow.

## **Location**

The pump should be placed on a flat, level surface.

*Laguna Utility Pump 1:* Because of its size Laguna 1 is not equipped with a base to attach the unit to its surroundings. There are three suction cups to secure it to the bottom. Ensure the area is clear of debris that might be sucked into the input and clog the impeller.

*Laguna Utility Pumps 2 and 3:* These models are equipped with a removable base. It can be used with suction cups (included) to secure to the bottom. Alternately, four holes in the base unit allow screws to position the pump in the correct place. Once the base is positioned with either suction cups or screws, place the pump over the base, output facing in the same direction as the arrow engraved on the base. Press down and forward to lock the pump to the base.

*Laguna Utility Pumps 4, 5, 6 and 7:* The base is equipped with suction cups, as well as, four holes to allow the base to be screwed into a piece of wood or other base material. Once the base has been attached, slide the pump unit onto the base for a solid platform.

Ensure that the water does not contain particulate matter that may enter the pump and damage the impeller and motor.

Applications which have very fine grades of mud, sand, or gravel require an impeller guard or nylon mesh placed over the water intake to prevent the pump from clogging.

Connect power cord to electrical outlet. In order to start, the pump must be filled with water. If the unit does not start immediately, tilt output up slightly to eliminate any air bubbles in the system.

Ensure that the pump is submerged during operation.

The removable pump bases on Pumps 2, 3, 4, 5, 6 and 7 can be secured to a fixed base. A brick or board will provide a firm platform.

**CAUTION: LAGUNA UTILITY PUMP MUST NOT BE ALLOWED TO RUN DRY.**

**Rinse pump and impeller after every use.**

## MAINTENANCE

To avoid injury, do not touch moving or hot parts.

Always unplug all appliances from outlet when not in use, before putting on or taking off parts and before cleaning

The motor of the Laguna Pump is hermetically sealed and filled with epoxy, thereby requiring no lubrication or other maintenance.

Although the impeller cavity is self cleaning, regular maintenance is required.

Remove the Laguna Utility Pump from the installation.

Disassemble the complete impeller cavity by first removing the motor cover.

### Removing the motor cover:

*Laguna Utility Pumps 1, 2 and 3:* No tools needed to remove pump base and motor cover. Once motor cover is off, move arrow on impeller cover (Utility pumps 2 and 3 only) counterclockwise to "off" position and lift out impeller cover.

*Laguna Utility Pumps 4, 5, 6 and 7:* Use a Phillips (cross headed) Screwdriver to remove four screws (A) that are attached to the motor cover (B). (Fig. 1)

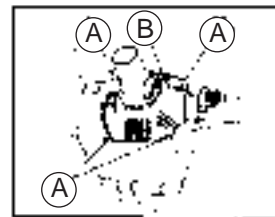


Fig. 1

### Removing the impeller:

*Laguna Utility Pumps 1, 2 and 3:* Remove Impeller and Ceramic Shaft Assembly - To remove Ceramic Shaft Assembly, insert the hooked end of the supplied tool into the hole near the bottom of the unit, draw entire assembly up and out. (Fig. 2)

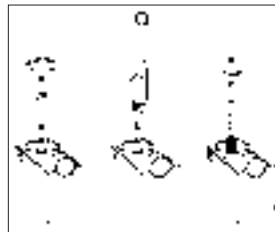


Fig. 2

*Laguna Pumps 4, 5, 6 and 7:* No tools are required to remove the impeller. Simply grasp impeller (C) firmly and pull it out of the impeller well. (Fig. 3)

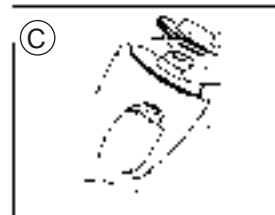


Fig. 3

## IMPELLER MAINTENANCE

**WARNING:** These motor units incorporate a ceramic impeller shaft. This shaft will provide reliable, lasting performance. However this shaft is brittle. Please take extreme care when cleaning. Replacement shafts are available.

Thoroughly clean all parts to remove accumulated slime, dirt or debris.

### **DO NOT USE DETERGENTS OR OTHER CHEMICAL CLEANERS.**

#### **AFTER CLEANING:**

*Laguna Utility Pumps 1, 2 and 3:* Put the shaft assembly back in position and slide the impeller onto the shaft. Replace Impeller Cover to "on" Position (for Utility Pumps 2 & 3 only).

*Laguna Utility Pumps 4, 5, 6 and 7:* Insert Impeller, already on the shaft, into shaft receptacle. Ensure that the top tip is inserted into the upper receptacle. (Place motor cover back in position and secure with screws.)

Slide Laguna Utility Pump into position on the base.

Replacement parts may be ordered from your local Laguna Dealer or the closest service Division.

**The power cord of this appliance cannot be replaced; if the cord is damaged, the appliance should be discarded.**

## TROUBLESHOOTING

### *Low flow from Pump*

- Ensure strainer (if any) is clean.
- Check input area for clogging or blockage
- Check hose for blockages

### *No flow from pump*

- Check power supply is on.
- Disconnect the pump, remove the impeller assembly and clean, then reconnect the pump.

## GUARANTEE

The Laguna Pump is unconditionally guaranteed for defects in material or workmanship for a period of one year from date of purchase. This guarantee is valid only under normal operating conditions for which the Pump is intended. This guarantee will not apply to any unit subjected to improper use, negligence or tampering. This is limited to the Pump unit only.

The motor is factory sealed, tampering will void guarantee.

## SERVICE

If you have a problem or question about the operation of this product, please let us try to help you before you return the product to your dealer. Most problems can be handled promptly with a toll free phone call. When you call (or write), please have all relevant information such as model number and/or part numbers available, as well as the nature of the problem. Call our Customer Service Department:

Canada Only: Toll Free Number 1-800-55HAGEN (1-800-554-2436)  
Between 9:00 AM and 5:00 PM Eastern Time.

U.S. Only: Toll Free Number 1-800-724-2436  
Between 9:00 AM and 5:00 PM Eastern Time.

U.K. Only: Helpline Number 0977 556622  
Between 9:00 AM and 5:00 PM.

### **For Authorized Warranty Repair Service:**

Return unit with dated receipt to:

Canada: Rolf C. Hagen Inc.  
3225 Sartelon St., Montreal, Quebec, H4R 1E8

U.S. Rolf C. Hagen (USA) Corp.  
P50 Hampden Road, Mansfield, Ma. 02048-9107

U.K. Rolf C. Hagen (UK) Ltd.  
California Dr. Whitwood Ind. Est., Castleford, West  
Yorkshire WF10-5QH

For general information on our whole product range, explore our website at: <http://www.hagenpet.com/welcome.html>

**PARTS**

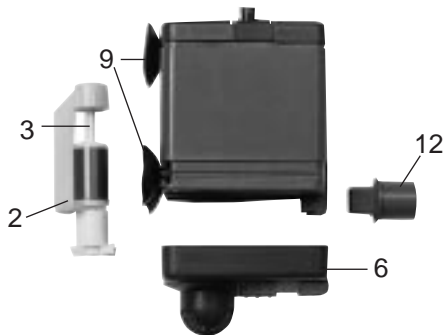
	1	2	3	4	5	6	7
1 Motor	PT2800	PT2802	PT2804	PT2806	PT2808	PT2810	PT2812
2 Impeller Assembly	PT732	PT452	PT454	PT457	PT458	PT460	PT463
3 Ceramic Impeller Shaft		PT758	PT760	PT761	PT761		
4 Seal Ring			PT762	PT762	PT762	PT764	PT764
5 Impeller Cover		A17060	A17165				
6 Motor Cover	PT2835	PT2837	PT2839	PT2841	PT2843	PT2845	PT2847
7 Motor Cover Screws			PT2850	PT2850	PT2850	PT2850	PT2850
8 Pump Base		PT2852	PT2854	PT2856	PT2858	PT2860	PT2862

**PARTS**

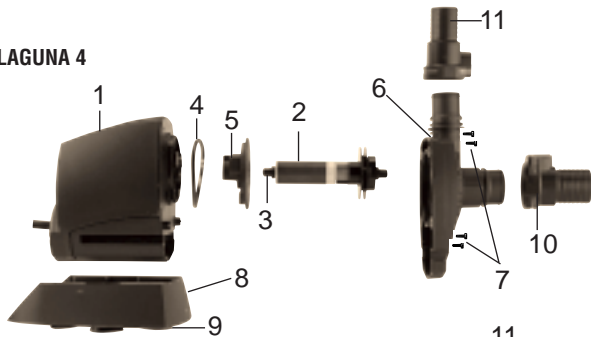
	1	2	3	4	5	6	7
9 Suction Cups	A17010	A17010	A17010	A17010	A17010	A17010	A17010
10 Input Hose Click-Fit Adapter				PT630	PT630	PT630	PT630
11 Output Hose Click-Fit Adapter				PT635	PT635	PT635	PT630
12 Output Hose Adapter	A17042	A17072	A17072				
13 StepdownHose Adapter		PT603	PT603				

Replacement parts may be ordered from your local Laguna Dealer or the closest service Division.

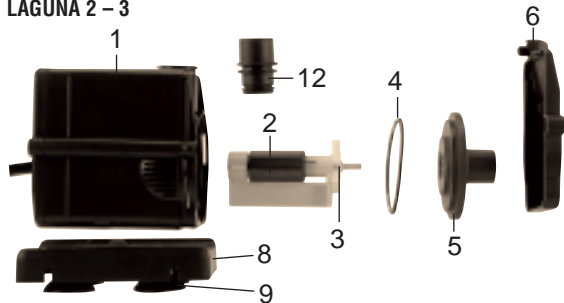
**LAGUNA 1**



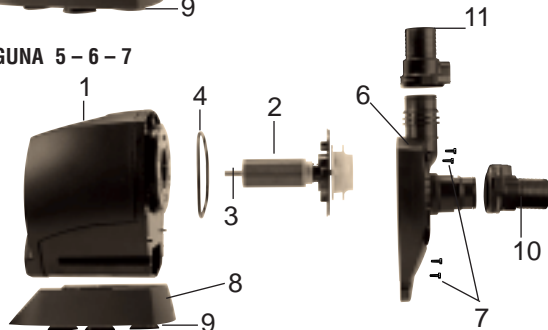
**LAGUNA 4**



**LAGUNA 2 - 3**



**LAGUNA 5 - 6 - 7**



# POMPES LAGUNA À USAGE GÉNÉRAL

Pour emploi à l'intérieur seulement,  
en eau douce ou en eau de mer.

## INSTRUCTIONS

Avant d'installer ou de faire fonctionner l'appareil, lire attentivement cette notice.

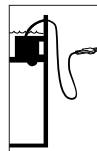
## MESURES DE SÉCURITÉ

Pour éviter les accidents, il est important de suivre les précautions suivantes:

1. **LIRE ET SUIVRE TOUTES LES MESURES DE SÉCURITÉ** et tous les avis importants qui apparaissent sur l'appareil pour bien comprendre le fonctionnement de l'appareil et en obtenir un rendement optimal. Ne pas tenir compte de cette recommandation pourrait entraîner des dommages à l'appareil.
2. **DANGER-** Afin d'éviter les chocs électriques, une grande prudence est de rigueur car de l'eau est utilisée avec cet appareil. Dans chacune des situations suivantes, ne pas tenter de réparer l'appareil soi-même; l'envoyer pour réparation à un service autorisé ou s'en défaire.
  - A. Si la pompe tombe dans l'eau, NE PAS la ramasser! D'ABORD la débrancher et ensuite la sortir de l'eau. Si les composantes électriques sont mouillées débrancher immédiatement la pompe.
  - B. Si l'appareil montre quelque signe de fuite d'eau anormale que ce soit, le débrancher immédiatement.
  - C. Vérifier soigneusement l'appareil après son installation. Il ne devrait pas être branché s'il y a de l'eau sur des pièces non fabriquées pour être mouillées.
  - D. Ne pas faire fonctionner une pompe défectueuse, qui a été échappée ou endommagée d'une quelconque façon ou si la fiche ou le cordon sont endommagés.

**Le cordon d'alimentation de cet appareil ne peut être remplacé. S'il est endommagé, l'appareil doit être jeté. Ne jamais couper le cordon.**

- E. Pour éviter le risque que l'appareil ou la prise de courant soient mouillés, installer l'appareil d'un côté d'une prise de courant murale pour empêcher l'eau de remonter dans la fiche ou la prise. Un col de cigne (cf. illustration) devrait être fait dans le fil. Le col de cigne est la partie du fil qui se trouve sous la prise ou la connection, si une rallonge est utilisée. Il permet d'éviter que l'eau ne circule le long du fil et pénètre dans la prise de courant. Si la fiche ou la prise de courant sont mouillées, NE PAS débrancher le cordon. Enlever le fusible ou le disjoncteur qui fournit de l'électricité à l'appareil. Ensuite débrancher l'appareil et vérifier qu'il n'y a pas d'eau dans la prise de courant.
3. Il est recommandé de surveiller étroitement les enfants qui utilisent cet appareil ou qui s'en trouvent à proximité.
  4. **Pour éviter les accidents, ne pas toucher aux pièces mobiles ou chaudes comme les chauffe-eau, les réflecteurs, les ampoules, etc.**
  5. **Toujours débrancher l'appareil quand il n'est pas utilisé, quand des pièces sont enlevées ou remplacées et avant l'entretien. Ne jamais tirer sur le fil pour débrancher l'appareil. Prendre la fiche et débrancher l'appareil.**
  6. Ne pas utiliser cet appareil pour un autre emploi que celui pour lequel il a été fabriqué (ne pas l'utiliser dans une piscine, un bassin de jardin, une baignoire, etc.). Les accessoires non vendus ou non recommandés par le fabricant peuvent compromettre la sécurité de l'appareil.
  7. Ne pas installer ou entreposer l'appareil dans un endroit où il serait exposé aux intempéries ou à des températures sous le point de congélation.
  8. Vous assurer que l'appareil est installé de façon sécuritaire avant de le faire fonctionner.
  9. Lire et suivre tous les avis importants concernant cet appareil.
  10. Si une rallonge électrique est nécessaire, vous assurer qu'elle





possède le bon calibre. Un cordon de calibre inférieur ou de moins d'ampères ou de watts que l'appareil peut surchauffer. Le cordon doit être placé de façon à éviter que quelqu'un ne trébuche dessus.

11. Appareils homologués UL ou ACNOR seulement : cet appareil possède une fiche polarisée (une des broches est plus large que l'autre). Cette fiche, par mesure de sécurité, ne peut être insérée dans la prise que d'une seule façon. Si la fiche ne pénètre pas complètement dans la prise, la retourner et réessayer. Si elle n'entre pas encore dans la prise, consulter un électricien qualifié. Ne jamais utiliser une rallonge électrique dont la fiche n'entre pas complètement dans la prise. Ne pas ignorer cette mesure de sécurité.
12. Cette pompe doit être immergée dans l'eau. Elle ne doit pas fonctionner à sec.
13. **CONSERVER CES INSTRUCTIONS.** Pour une compréhension complète de cette pompe, il est recommandé de lire soigneusement ce manuel. Manquer à cette recommandation peut entraîner des dommages à la pompe.

### **SPÉCIFICATIONS** (cf. tableau sur feuille séparée)

Les pompes Laguna à usage général ont été fabriquées pour accomplir une variété de tâches qui exigent l'emploi d'une pompe de circulation immergée, par exemple : pour assécher un aquarium ou alimenter des cultures hydroponiques, des fontaines et des cascades, etc. Là où l'on a besoin de transporter de l'eau de façon sûre et économique, les pompes submersibles Laguna représentent le bon choix. Toutes les connexions électriques sont scellées hermétiquement à l'époxy inerte pour en assurer la sécurité et la fiabilité. Comme leur fabrication ne repose pas sur des techniques anciennes, elles n'ont pas besoin de système de refroidissement. Elles ne fuient ni ne contaminent leur environnement par des fuites de liquides refroidisseurs. Elles sont conçues pour rester en permanence sous l'eau dans les environnements d'eau douce ou d'eau de mer.

**Les pompes Laguna ne sont pas recommandées ou fabriquées pour transporter des composés corrosifs et inflammables**

**ou des liquides dont les propriétés diffèrent de celles de l'eau.**

**La température de l'eau ne doit pas dépasser 35 °C**

Les pompes Laguna sont fabriquées selon les dernières découvertes en matière de conception, de sécurité et d'utilité. Le moteur de toutes les pompes Laguna est scellé hermétiquement et toutes les pièces électriques ont été immergées dans de la résine d'époxy pour une isolation totale contre les chocs électriques et les dommages causés par l'eau. Conséquemment, cette pompe Laguna peut être complètement immergée sans que son fonctionnement en soit perturbé. Le moteur, sans entretien, est extrêmement compact et efficace. Il rejette un débit puissant uniforme en tout en temps.

### **Le choix du débit selon les besoins**

Les pompes Laguna à usage général peuvent être utilisées dans une grande variété d'applications et leur vaste choix de débits pour colonne d'eau de hauteur différente répond à presque tous les besoins. Ce qui est le plus important c'est de définir les besoins et de s'assurer que la pompe pourra y répondre. Les facteurs qui influencent la capacité de la pompe sont la hauteur de la colonne et la résistance offerte par les tuyaux et les raccords :

**Hauteur de la colonne :** Distance verticale entre la surface de l'eau et le haut de la colonne.

**Résistance causée par les tuyaux :** Pour chaque 3 m de tuyau, ajouter 30 cm à la hauteur de la colonne.

**Résistance aux raccords :** Pour chaque raccord en coude, ajouter 30 cm à la hauteur de la colonne.

Déterminer premièrement la hauteur de la colonne, soit la distance verticale entre la surface de l'eau et le sommet de la colonne. À celle-ci, ajouter la longueur de tuyau nécessaire pour acheminer l'eau de la sortie de la pompe au rejet de l'eau. Quand des raccords de tuyau sont utilisés pour contourner un angle à 90°, la résistance de l'eau équivaut à l'ajout de 30 cm par unité.

Si l'installation nécessite une élévation à 90 cm au-dessus de la surface de l'eau, il faut compter 3 mètres de tuyau et un raccord en coude; la colonne est donc de 150 cm.

## INSTALLATION :

**Mise en garde : Débrancher cet appareil et tout autre appareil submergé avant de mettre les mains dans l'eau.**

**Important :** Utiliser toujours le tuyau du plus gros diamètre possible. Éviter les courbes trop prononcées; les longues courbes offrant moins de résistance au courant d'eau.

### FIXATION DES TUYAUX D'ENTRÉE ET DE SORTIE:

*Pompe Laguna 1 à usage général :* un tuyau peut être fixé à la sortie d'eau seulement.

*Pompes Laguna 2 et 3 à usage général :* des adaptateurs lisses pour tuyaux sont fixés à l'entrée et à la sortie d'eau et des tuyaux peuvent y être fixés directement. Si c'est nécessaire, une pince à tuyau (optionnelle) peut être utilisée sur l'adaptateur pour fixer le tuyau de façon permanente. Pour les ornements, utiliser un adaptateur-réducteur pour tuyau de sortie (13 mm)

*Pompes Laguna 4, 5, 6 et 7 à usage général :* chaque pompe possède un raccord auto-bloquant exclusif pour l'entrée et la sortie d'eau. Le raccord est fileté pour assurer un ajustement serré et un branchement sûr entre le raccord et le tuyau. Si une pince est utilisée, le filet du raccord assure que le raccordement ne se déserte pas quand la pompe fonctionne. Une fois installé, il n'est pas nécessaire de séparer le tuyau du raccord. Le raccord auto-bloquant s'enclenche et se désenclenche d'une pression du doigt pour faciliter l'entretien de l'appareil. Pour une connection permanente directement à la pompe, il existe un tuyau intégré à la base qui peut recevoir une pince à tuyau.

### Réglage du débit

Le seul modèle possédant un bouton de réglage du débit est la pompe Laguna 1. Tourner le disque sur la base pour augmenter ou réduire le débit.

**Emplacement:** La pompe devrait être placée sur une surface plate et de niveau.

*Laguna 1 :* Étant donné sa taille, la pompe Laguna 1 n'est pas équipée d'une base pour la fixer à son environnement. Trois petites ventouses permettent de la fixer quelque part. L'endroit doit être pro-

pre et sans débris qui pourraient être aspirés par l'entrée d'eau et bloquer la couronne mobile.

*Laguna 2 et 3 :* Ces modèles sont équipés d'une base amovible qui peut être utilisée avec des ventouses (incluses) pour fixer la pompe au fond du bac. Ou encore, il est possible de visser la pompe sur un socle grâce aux quatre trous pratiqués dans sa base. Une fois la base en place à l'aide de ventouses ou de vis, y glisser la pompe, la sortie d'eau dans la même direction que la flèche gravée dans la base.

*Laguna 4, 5, 6 et 7 :* La base est équipée de ventouses et elle possède quatre trous pour permettre sa fixation par vis dans une pièce de bois ou un autre socle. Une fois la base fixée, glisser la pompe sur celle-ci. Vous assurer que l'eau ne contient pas de particules en suspension qui pourraient pénétrer dans la pompe et endommager la couronne mobile ou le moteur. Si le milieu contient du sable, du gravier très fin ou de la terre, il est recommandé d'utiliser un protecteur pour couronne mobile ou de la tulle de nylon pour empêcher l'encrassement de la pompe.

Brancher le cordon électrique à la prise de courant. Pour fonctionner la pompe doit être remplie d'eau. Si l'appareil ne fonctionne pas immédiatement, le pencher légèrement pour éliminer toute bulle d'air qui pourrait se trouver dans le système.

La pompe doit demeurer sous l'eau quand elle fonctionne.

La base amovible des modèles 2, 3, 4, 5, 6 et 7 peut être fixée à un socle. Une brique ou un bloc de bois ferait l'affaire.

**MISE EN GARDE : LES POMPES LAGUNA À USAGE GÉNÉRAL NE DOIVENT PAS FONCTIONNER À SEC.**

**Rincer la pompe et la couronne mobile après chaque emploi.**

## ENTRETIEN

Pour éviter les accidents, ne pas toucher aux pièces mobiles ou chaudes.

Toujours débrancher tous les appareils électriques quand ils ne sont pas utilisés ou avant de les démonter, les remonter ou les entretenir. Le moteur de la pompe Laguna est hermétiquement scellé et rempli d'époxy. Il ne requiert donc aucune lubrification ou autre entretien.

Bien que le puits de la couronne mobile soit auto-nettoyant, un entretien régulier est nécessaire.

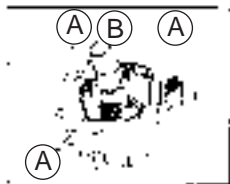
Retirer la pompe Laguna de l'eau.

Démonter complètement la couronne mobile en commençant par enlever le couvercle du moteur.

#### **Pour enlever le couvercle du moteur:**

*Laguna 1, 2 et 3:* Aucun outil n'est nécessaire pour enlever la base de la pompe ou le couvercle du moteur. Une fois le couvercle enlevé, tourner la flèche sur le couvercle de la couronne vers la gauche (Laguna 2 et 3 seulement) et soulever le couvercle.

*Laguna 4, 5, 6 et 7:* À l'aide d'un tournevis étoilé, enlever les quatre vis (A) sur le couvercle du moteur (B) (fig. 1)



**Fig. 1**

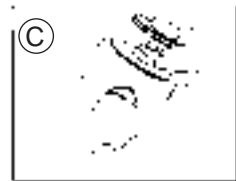
#### **Pour enlever la couronne:**

*Laguna 1, 2 et 3:* Enlever la couronne mobile et le montage de l'arbre. Pour enlever le montage de l'arbre de céramique, insérer le bout crochu de l'outil fourni avec l'appareil dans le fond du puits et tirer le montage (Fig. 2)



**Fig. 2**

*Laguna 4, 5, 6 et 7:* Aucun outil n'est nécessaire pour enlever la couronne mobile. Il suffit de prendre la couronne fermement (C) et de la sortir de son puits. (Fig. 3)



**Fig. 3**

## **ENTRETIEN DE LA COURONNE MOBILE**

**MISE EN GARDE :** Le bloc-moteur comprend un arbre de couronne mobile en céramique. C'est grâce à cet arbre que l'appareil offre un rendement fiable et durable. Cependant, il est fragile. La prudence est de rigueur pendant le nettoyage. Les arbres brisés peuvent être remplacés.

Nettoyer soigneusement toutes les pièces pour y enlever le limon et tous les débris accumulés.

#### **NE PAS UTILISER DE PRODUITS NETTOYANTS OU AUTRES PRODUITS CHIMIQUES.**

#### **APRÈS LE NETTOYAGE :**

*Laguna 1, 2 et 3 :* Replacer le montage de l'arbre et glisser la couronne mobile sur l'arbre. Replacer le couvercle de la couronne mobile en position 'On'. (Laguna 2 et 3 seulement)

*Laguna 4, 5, 6 et 7 :* Replacer la couronne, déjà sur son arbre, dans le puits de la couronne. Vous assurer que l'embout du bloc-couronne est bien en place sur le couvercle. (Replacer le couvercle du moteur et revisser les vis).

Glisser la pompe Laguna en position sur la base.

Les pièces de rechange peuvent être commandées chez votre détaillant de produits Laguna ou auprès de notre service de réparation le plus près de chez vous.

**Le cordon de cet appareil ne peut être remplacé; s'il est endommagé, l'appareil doit être jeté.**

#### **DÉPANNAGE**

##### *Faible débit*

- Vous assurer que l'épurateur (s'il en existe un) est propre.
- Vérifier que l'entrée d'eau n'est pas bloquée.
- Vérifier que les tuyaux ne sont pas bloqués.

##### *Absence de débit*

- Vous assurer que l'appareil est branché.
- Débrancher la pompe, enlever la couronne et la nettoyer. Ensuite remplacer le tout et rebrancher l'appareil.

## PIÈCES

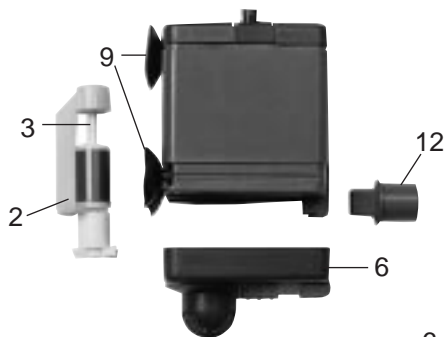
	1	2	3	4	5	6	7
1 Bloc-moteur	PT2800	PT2802	PT2804	PT2806	PT2808	PT2810	PT2812
2 Couronne	PT732	PT452	PT454	PT457	PT458	PT460	PT463
3 Arbre d'entraînement en céramique		PT758	PT760	PT761	PT761		
4 Joint d'étanchéité			PT762	PT762	PT764	PT764	
5 Couvercle de la couronne		A17060	A17165				
6 Couvercle du moteur	PT2835	PT2837	PT2839	PT2841	PT2843	PT2845	PT2847
7 Vis du couvercle du moteur			PT2850	PT2850	PT2850	PT2850	PT2850
8 Base de la pompe		PT2852	PT2854	PT2856	PT2858	PT2860	PT2862
9 Ventouses	A17010	A17010	A17010	A17010	A17010	A17010	A17010

## PIÈCES

	1	2	3	4	5	6	7
10 Raccord auto-bloquant à tuyau d'entrée d'eau				PT630	PT630	PT630	PT630
11 Raccord auto-bloquant à tuyau de sortie d'eau				PT635	PT635	PT635	PT630
12 Adaptateur à tuyau de sortie d'eau	A17042	A17072	A17072				
13 Adaptateur-réducteur pour tuyau de sortie		PT603	PT603				

Les pièces de rechange peuvent être commandées chez votre détaillant de produits Laguna ou auprès de notre service de réparation le plus près de chez vous.

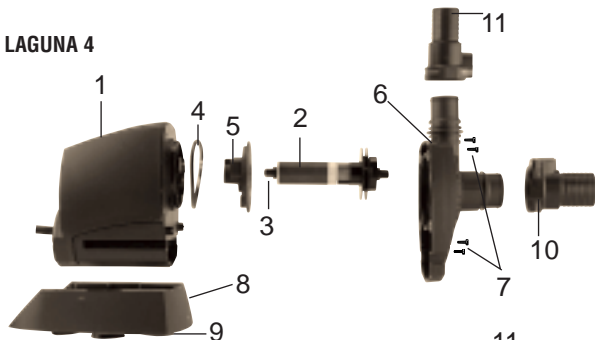
### LAGUNA 1



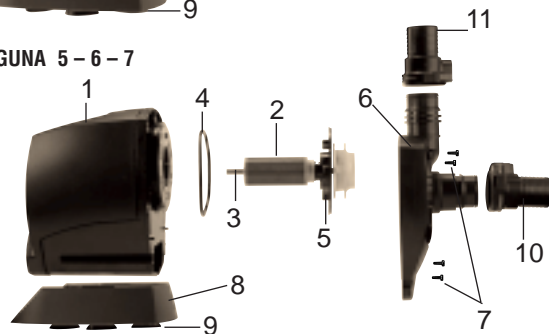
### LAGUNA 2 - 3



### LAGUNA 4



### LAGUNA 5 - 6 - 7



## LAGUNA WASSERPUMPEN

Nur im Innenbereich verwenden

## BEDIENUNGSANLEITUNG

Vor Einbau und Betrieb gründlich lesen.

## WICHTIGE SICHERHEITSHINWEISE

Zum Schutz vor Verletzung sind beim Umgang mit Laguna-Wasserpumpen grundlegende Sicherheitsvorkehrungen zu beachten, einschliesslich der folgenden Hinweise:

1. **LESEN UND BEFOLGEN SIE ALLE SICHERHEITSVORSCHRIFTEN** sowie alle wichtigen Hinweise auf dem Gerät vor der Benutzung, damit Sie sich an diesem Produkt erfreuen, es richtig nutzen und verstehen können. Nichtbefolgung kann zu Schäden am Gerät führen.
2. **GEFAHR** - Zur Vermeidung eines möglichen elektrischen Schlags, sollten Sie besonders vorsichtig sein, weil bei der Benutzung dieses Gerätes Wasser verwendet wird. Bei jeder der nachfolgenden Situationen sollten Sie nicht versuchen, das Gerät selber zu reparieren, sondern dieses an eine autorisierte Kundendienst-Stelle zur Reparatur geben oder das Gerät wegwerfen:
  - A. Wenn die Wasserpumpe ins Wasser fällt, NICHT danach greifen. Erst die Steckverbindung lösen und dann das Gerät herausnehmen. Wenn die elektrischen Teile des Gerätes nass werden, sofort die Steckverbindung lösen.
  - B. Wenn die Wasserpumpe Anzeichen für ungewöhnliche Wasserundichtigkeit zeigt, sofort die Steckverbindung vom Stromnetz lösen.
  - C. Gerät nach dem Einbau sorgfältig überprüfen. Es soll nicht an das Stromnetz angeschlossen werden, wenn es Wasser auf Teilen gibt, die nicht nass werden dürfen.
  - D. Kein Gerät mit beschädigter Netzschnur oder beschädigtem Stecker benutzen oder wenn dieses nicht richtig funktioniert oder heruntergefallen oder anderweitig beschädigt wurde. Die Netzschnur dieses **Gerätes kann nicht ausgewechselt**

## GARANTIE

La pompe Laguna à usage général est garantie sans condition contre les défauts de matériaux et de main-d'oeuvre pour un an à partir de la date d'achat. Cette garantie n'est valide que si l'appareil a été utilisé dans des conditions normales et pour un usage approprié. Cette garantie ne s'applique pas si l'appareil a été utilisé de façon inappropriée, s'il y a eu négligence ou s'il a été modifié. Cette garantie se limite à la pompe seulement.

Le moteur a été scellé en usine, toute modification à l'appareil annulera la garantie.

## SERVICE APRÈS-VENTE

Si cet appareil vous semble défectueux ou que vous vous posez des questions quant à son fonctionnement, n'hésitez pas à communiquer avec nous avant de le retourner au marchand. Notre ligne téléphonique sans frais nous permet de régler la plupart des problèmes. S.V.P. ayez à la main tous les renseignements pertinents (p. ex. le n° de modèle ou de la pièce). Si vous nous écrivez, n'oubliez pas de les mentionner.

SEULEMENT AU CANADA:

Info-service sans frais: 1 800 55HAGEN (1 800 554-2436) entre 9h00 et 17h00 (HNE)

## Réparation d'un article sous garantie :

Le retourner avec une preuve d'achat datée à :

Canada: Rolf C. Hagen Inc.  
3225, rue Sartelon, Montréal (Québec) H4R 1E8

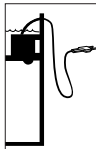
France: Rolf C. Hagen (France) SA., Service à la clientèle,  
Port Autonome de Bonneuil, 5, Route de Stains,  
Bâtiment D, F-94387, Bonneuil-sur-Marne, France.

Si vous désirez des renseignements sur notre gamme de produits, n'hésitez pas à visiter notre site Web au:

<http://www.hagenpet.com/welcome.html>

**werden; wenn die Schnur beschädigt ist, soll das Gerät weg-geworfen werden. Niemals die Schnur abschneiden.**

- E. Um die Möglichkeit zu vermeiden, dass der Gerätestecker oder die Steckdose nass werden, soll das Gerät neben einer Wandsteckdose so angeordnet werden, dass kein Wasser auf Steckdose oder Stecker tröpfeln kann. Eine "Tropfschleife" (siehe Abbildung) sollte zur Steckdose hin gebildet werden.



Die "Tropfschleife" ist der Teil der Netzschnur, der unter dem Niveau der Steckdose oder der Anschlussdose bei Verwendung einer Verlängerungsschnur liegt, damit verhindert wird, dass Wasser die Schnur entlang wandert und mit der Steckdose in Berührung kommt. Wenn Stecker oder Steckdose nass werden, Netzschnur NICHT aus der Steckdose ziehen. Sicherung oder Sicherungsschalter des Stromkreises für das Gerät ausschalten. Erst danach die Netzschnur herausziehen und die Steckdose auf Vorhandensein von Wasser überprüfen.

3. Sorgfältige Aufsicht ist notwendig, wenn ein Gerät von Kindern oder in der Nähe von Kindern benutzt wird.
4. Zur Vermeidung von Verletzung keine beweglichen oder heißen Teile berühren, wie z.B. Heizungen, Reflektoren, Glühlampen usw.
5. Gerät bei Nichtbenutzung oder vor dem An/Abbau von Teilen oder vor dem Reinigen immer aus der Steckdose ziehen. Nicht an der Netzschnur ziehen, um den Stecker aus der Steckdose zu lösen. Immer am Stecker anfassen und herausziehen.
6. Benutzen Sie ein Gerät nur für den vorgesehenen Verwendungszweck (d.h. nicht für Swimming Pools, Gartenteiche, Badezimmer usw.). Die Verwendung von Anbauteilen, die nicht vom Gerätehersteller empfohlen oder verkauft werden, kann zu einem unsicheren Betriebszustand führen.
7. Installieren oder lagern Sie das Gerät nicht dort, wo es der Witterung oder Temperaturen unter dem Frostpunkt ausgesetzt ist.

8. Achten Sie darauf, dass das Gerät sicher installiert ist, bevor es in Betrieb genommen wird.
9. Lesen und beachten Sie alle wichtigen Hinweise auf dem Gerät.
10. Wenn eine Verlängerungsschnur benötigt wird, muss ein Kabel geeigneter Leistung benutzt werden. Ein Verlängerungskabel mit einem kleineren Ampère-Wert als das Gerät kann sich überhitzen. Achten Sie darauf, das Verlängerungskabel so zu verlegen, dass man nicht darüber stolpert oder es herauszieht.
11. Die Pumpe kann voll in Wasser eingetaucht werden. Die Pumpe darf nicht trocken laufen.
12. **BEWAHREN SIE DIESE ANLEITUNG AUF.**  
Zur vollständigen Nutzung und zum Verständnis dieses Gerätes wird empfohlen, diese Anleitung gründlich zu lesen und zu verstehen, da sonst Schäden an der Pumpe entstehen könnten.

#### **TECHNISCHE DATEN** (siehe getrennte Tabelle)

Laguna-Pumpen sind für eine Vielzahl von Aufgaben konstruiert, bei denen eine Umwälz-Tauchpumpe benötigt wird. Zu den Anwendungen zählen Aquariumbecken, Unterwassereinrichtungen, Zimmerbrunnen, -Wasserfälle usw. Wann immer Wasser zuverlässig und wirtschaftlich transportiert werden muss, sind Laguna-Pumpen die richtige Wahl für die Aufgabe. Sie sind hermetisch versiegelt mit völlig unempfindlichem Epoxyd über allen elektrischen Verbindungen, um Sicherheit und lange Lebensdauer zu gewährleisten. Da sie keine älteren Technologien benutzen, die Ölkühlung erfordern, können sie nie undicht werden oder den Einsatzbereich mit einem Kühlmittel verchromten. Sie sind für kontinuierlichen Unterwasser-Dauerbetrieb in Süßwasser oder Salzwasser konstruiert.

**Laguna-Pumpen sind nicht für den Transport korrosiver oder entflammbarer Stoffe oder für Flüssigkeiten mit anderen Eigenschaften als Wasser empfohlen oder konstruiert.**

**Laguna-Die maximale Wassertemperatur muss unter 35°C betragen.**

Laguna-Pumpen enthalten viele technische Innovationen hinsichtlich Design, Sicherheit und Nutzung. Alle Laguna-Pumpen sind hermetisch abgedichtet, wobei alle stromführenden Teile in schützendem Epoxydharz gekapselt sind, um völlige Isolierung

## SPECIFICATIONS/SPECIFICATIONS

	LAGUNA 1				LAGUNA 2				LAGUNA 3				LAGUNA 4				LAGUNA 5				LAGUNA 6				LAGUNA 7			
<b>Voltage</b>	120		230-240		120		230-240		120		230-240		120		230-240		120		230-240		120		230-240		120		230-240	
<b>Frequency/ Fréquence</b>	60 Hz		50Hz		60 Hz		50Hz		60 Hz		50Hz		60 Hz		50Hz		60 Hz		50Hz		60 Hz		50Hz		60 Hz		50Hz	
<b>Wattage</b>	4.5		3.5		11		11		19		19		65		60		72		57		83		83		129		100	
	liter/US G.		liter/US G.		liter/US G.		liter/US G.		liter/US G.		liter/US G.		liter/US G.		liter/US G.		liter/US G.		liter/US G.		liter/US G.		liter/US G.		liter/US G.		liter/US G.	
<b>Flow Rate/Débit</b>	300/80		300/80		808/214		830/219		1450/384		1450/384		3500/926		3700/979		4850/1283		4750/1256		6200/1640		6000/1587		8100/2142		7800/2063	
	cm/ft		cm/ft		cm/ft		cm/ft		cm/ft		cm/ft		cm/ft		cm/ft		cm/ft		cm/ft		cm/ft		cm/ft		cm/ft		cm/ft	
<b>Water Column/ Colonne d'eau</b>	60/1.97		70/2.29		130/4.26		130/4.26		170/5.58		168/5.51		200/6.56		196/6.43		245/8.03		30/7.54		410/13.45		425/13.94		450/14.76		410/13.45	
	30cm	60cm	90cm	120cm	30cm	60cm	90cm	120cm	30cm	60cm	90cm	120cm	30cm	60cm	90cm	120cm	30cm	60cm	90cm	120cm	30cm	60cm	90cm	120cm	30cm	60cm	90cm	120cm
Vol. at head height/ Vol. au haut de la colonne <b>60Hz - gph/lph</b>	45				174	132	84	26	335	285	221	158	820	687	582	449	1109	1003	845	700	1632	1394	1315	1157	2084	2024	1952	1849
	170				660	500	320	100	1270	1080	840	600	3100	2600	2200	1700	4200	3800	3200	2650	6180	5280	4980	4380	7880	7650	7380	6990
Vol. at head height/ Vol. au haut de la colonne <b>50Hz - gph/lph</b>	45				177	134	84	23	335	282	221	153	866	713	621	449	1069	924	779	634	1458	1363	1252	1141	2032	1952	1857	1754
	170				670	510	320	90	1270	1070	840	580	3580	2700	2350	1700	4050	3500	2950	2400	5520	5160	4740	4320	7680	7380	7020	6630

## ESPECIFICACIONES/SPEZIFIKATIONEN

	LAGUNA 1				LAGUNA 2				LAGUNA 3				LAGUNA 4				LAGUNA 5				LAGUNA 6				LAGUNA 7			
<b>Tension/Spannung</b>	120		230-240		120		230-240		120		230-240		120		230-240		120		230-240		120		230-240		120		230-240	
<b>Frecuencia/ Frequenz</b>	60 Hz		50Hz		60 Hz		50Hz		60 Hz		50Hz		60 Hz		50Hz		60 Hz		50Hz		60 Hz		50Hz		60 Hz		50Hz	
<b>Potencia/Watt</b>	4.5		3.5		11		11		19		19		65		60		72		57		83		83		129		100	
	liter/US G.		liter/US G.		liter/US G.		liter/US G.		liter/US G.		liter/US G.		liter/US G.		liter/US G.		liter/US G.		liter/US G.		liter/US G.		liter/US G.		liter/US G.		liter/US G.	
<b>Proporcion de Flujo/ Durchflußrate</b>	300/80		300/80		808/214		830/219		1450/384		1450/384		3500/926		3700/979		4850/1283		4750/1256		6200/1640		6000/1587		8100/2142		7800/2063	
	cm/ft		cm/ft		cm/ft		cm/ft		cm/ft		cm/ft		cm/ft		cm/ft		cm/ft		cm/ft		cm/ft		cm/ft		cm/ft		cm/ft	
<b>Columna de Agua/ Wassersäule</b>	60/1.97		70/2.29		130/4.26		130/4.26		170/5.58		168/5.51		200/6.56		196/6.43		245/8.03		30/7.54		410/13.45		425/13.94		450/14.76		410/13.45	
	30cm	60cm	90cm	120cm	30cm	60cm	90cm	120cm	30cm	60cm	90cm	120cm	30cm	60cm	90cm	120cm	30cm	60cm	90cm	120cm	30cm	60cm	90cm	120cm	30cm	60cm	90cm	120cm
Vol. a la altura de la cabeza/ Durchflußrate bei Druckhöhe <b>60Hz - gph/lph</b>	45				174	132	84	26	335	285	221	158	820	687	582	449	1109	1003	845	700	1632	1394	1315	1157	2084	2024	1952	1849
	170				660	500	320	100	1270	1080	840	600	3100	2600	2200	1700	4200	3800	3200	2650	6180	5280	4980	4380	7880	7650	7380	6990
Vol. a la altura de la cabeza/ Durchflußrate bei Druckhöhe <b>50Hz - gph/lph</b>	45				177	134	84	23	335	282	221	153	866	713	621	449	1069	924	779	634	1458	1363	1252	1141	2032	1952	1857	1754
	170				670	510	320	90	1270	1070	840	580	3580	2700	2350	1700	4050	3500	2950	2400	5520	5160	4740	4320	7680	7380	7020	6630

gegen Schäden durch Wasser und elektrische Schläge zu bieten. Als Ergebnis hieraus, ist der Motor diese Laguna-Pumpe extrem kompakt, energiesparend und wartungsfrei, während er gleichzeitig einen kräftigen kontinuierlichen Austrittsstrom liefert.

### **Wahl der richtigen Leistung für die Anwendung**

Laguna-Pumpen können für eine Vielzahl von Anwendungen benutzt werden und ihr grosser Bereich an Ausgangsleistungen bei verschiedenen Saughöhen passt für fast alle Anforderungen. Am wichtigsten ist die Definition des Bedarfs der Anwendung, damit sichergestellt wird, dass die Pumpe für die Aufgabe ausreichend ist. Zu den Faktoren, die Einfluss auf die Pumpenleistung haben, zählen

---

**Saughöhe:** *Senkrechter Abstand zwischen Wasseroberfläche und Wasserauslauf.*

**Schlauchwiderstand:** *Für je 3 m Schlauch sind 30 cm bei der Saughöhe hinzuzurechnen.*

**Schlauchverbinder:** *Für jedes Schlauchkniestück sind 30 cm bei der Saughöhe hinzuzurechnen.*

---

Zunächst wird die Saughöhe ermittelt, der senkrechte Abstand von der Wasseroberfläche zum Wasserauslauf. Hinzugerechnet wird die Menge an benötigter Schlauchleitung, um das Wasser vom Pumpenaustritt zum Wasserauslauf zu befördern. Wenn Leitungsverbindungsstücke benutzt werden, um um Ecken zu kommen, entspricht der Strömungswiderstand durch ein 90° Kniestück jeweils zusätzlich 30 cm Saughöhe.

Wenn die Anlage eine Saughöhe von 90 cm von der Oberfläche zum Auslauf, 3 m Schlauch und ein Kniestück benötigt, dann ist die tatsächliche Saughöhe 150 cm.

### **INSTALLATION**

**Vorsicht: Ziehen Sie den Netzstecker dieses und aller anderen in das Wasser eingetauchten Geräte heraus, bevor Sie mit den Händen in das Wasser greifen.**

#### **WICHTIG:**

Benutzen Sie immer den grösstmöglichen Innendurchmesser. Vermeiden Sie scharfe Biegungen der Schlauchleitung, sanfte Krümmungen erzeugen weniger Strömungswiderstand und Wasserdurchflussverringering.

### **Eintritts/Austrittsschläuche anschliessen:**

*Die Laguna Utility Pump 1:* nur ein Schlauch am Austritt.

*Die Laguna Utility Pump 2 und 3:* glatte Schlauchadapter sowohl am Eintritt wie am Austritt zum direkten Anschluss des Schlauches. Bei Bedarf kann eine Schlauchklemme (Sonderzubehör) benutzt werden, um den Schlauch dauerhaft am Adapter festzuklemmen.

*Laguna Utility Pump 4, 5, 6 und 7:* haben jeweils die exklusive "Klick & Fertig"-Schnellkupplung sowohl für Eintritt wie für Austritt. Der Anschluss ist stachelig, um eine dichte Passung und hervorragende Verbindung zwischen Schlauch und Anschluss sicherzustellen. Wenn eine Schlauchklemme gewünscht wird, sichert die Stachelkonfiguration, dass sich der Schlauch während des Betriebs nicht lösen kann. Sobald der Schlauch einmal installiert ist, braucht er nicht mehr vom Anschluss gelöst zu werden. Die "Klick & Fertig"-Kupplung kann für schnelle und einfache Wartung mit einem Daumendruck gelöst oder aufgesteckt werden. Für den direkten Dauerauschluss an die Pumpe sind Eintritts- und Austrittsnippel in den Motordeckel eingebaut, die geeignet für Schlauchklemmen sind.

### **Durchflussregler**

Das einzige Modell mit einem einstellbaren Durchflussregler ist die Laguna Utility Pump 1. Drehen Sie die Scheibe auf der Bodenplatte, um den Durchfluss zu erhöhen oder zu verringern.

### **Einbauort**

Die Pumpe soll auf eine flache, ebene Oberfläche gestellt werden  
*Laguna Utility Pump 1:* Wegen ihrer Grösse ist die Laguna 1 nicht mit einem Sockel ausgerüstet, um sie am Einbauort zu montieren. Es gibt drei Saughalter, um sie sicher am Boden zu halten. Achten Sie darauf, dass dieser Bereich frei von Abfall ist, der in den Eintritt gesaugt werden und das Laufrad verstopfen könnte.

*Laguna Utility Pump 2 und 3:* Diese Modelle sind mit einem abnehmbaren Unterteil ausgestattet. Es kann mit (mitgelieferten) Saugkappen zur Befestigung am Boden benutzt werden. Alternativ ermöglichen vier Löcher im Sockel das Festschrauben der Pumpe in der gewünschten Position. Sobald der Sockel mit Saugkappen oder Schrauben in der richtigen Position fixiert ist, stecken Sie die Pumpe über den Sockel mit dem Austritt in der gleichen Richtung wie der



eingravierte Pfeil auf dem Sockel. Drücken Sie die Pumpe nach unten und nach vorne, um sie mit dem Sockel zu verriegeln.

**Laguna Utility Pump 4, 5, 6 und 7:** Der Sockel ist mit Saughaltern und alternativ mit vier Löchern versehen, damit er mit einem Stück Holz oder anderem Unterlegmaterial verschraubt werden kann. Sobald der Sockel verschraubt ist, Pumpe auf den Sockel schieben, um eine solide Plattform zu haben.

Bei Anwendungen mit sehr feinem Schlamm, Sand oder Kies ist es notwendig, ein Laufradschutzfilter oder ein Nylonsieb über den Wassereintritt zu stecken, um ein Verstopfen der Pumpe zu verhindern. Verbinden Sie die Netzschnur mit der Steckdose. Um zu starten, muß die Pumpe mit Wasser befüllt sein. Wenn das Gerät nicht sofort startet, Austritt leicht nach oben kippen, damit eventuelle Luftblasen im System entweichen können. Stellen Sie sicher, daß die Pumpe während des Betriebs untergetaucht bleibt. Die abnehmbaren Unterteile der Pumpen 2,3,4,5 und 7 können auf einer feste Unterlage, wie z.B Ziegelstein oder Brett gesichert werden.

**ACHTUNG: DIE LAGUNA-PUMPE DARF NICHT TROCKEN LAUFEN.**

#### WARTUNG

Zur Vermeidung von Verletzung keine beweglichen oder heißen Teile berühren.

Alle Geräte immer erst von der Steckdose trennen, wenn diese nicht benutzt werden, bevor Teile an- oder abgebaut werden und vor der Reinigung.

Die Motoren der Laguna-Pumpen sind hermetisch abgedichtet und mit Epoxydharz verkapselt und bedürfen deshalb keiner Schmierung oder anderer Wartung.

Obwohl die Laufradkammer selbstreinigend ist, ist regelmässige Wartung erforderlich.

Nehmen Sie die Laguna Utility Pumpe aus der Anlage heraus. Bauen Sie die vollständige Antriebsmagnetkammer aus, indem Sie zunächst den Motordeckel entfernen.

#### Entfernen des Motordeckels:

**Laguna Utility Pump 1, 2 und 3:** Zum Abnehmen der Bodenplatte sind keine Werkzeuge notwendig. Nachdem der Motordeckel

abgenommen ist, drehen Sie den Pfeil auf dem Antriebsmagnetdeckel (nur bei Utility Pump 2 und 3) im Gegenuhrzeigersinn in die "off" Stellung, und nehmen Sie den Antriebsmagnetdeckel ab.

**Laguna Utility Pump 4, 5, 6 und 7:** Benutzen Sie einen Kreuzkopfschraubenzieher zum Lösen der vier Schrauben (A), die am Motordeckel befestigt sind (B). (Abb. 1)

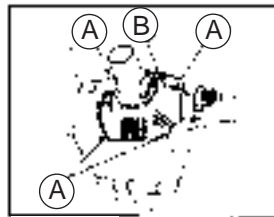


Abb. 1

**Entfernen des Antriebsmagneten:**  
**Laguna Utility Pump 1, 2 und 3:** Ausbau von Antriebsmagnet und Keramikachsenbaugruppe - Zum Ausbau der Keramikachsenbaugruppe Hakenende des mitgelieferten Werkzeugs in das Loch in der Nähe des Bodens einführen und gesamte Baugruppe nach oben herausziehen (Abb. 2).

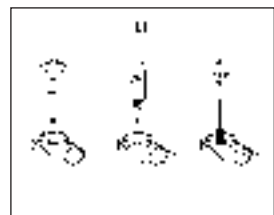


Abb. 2

**Laguna Utility Pump 4, 5, 6 und 7:** Zum Ausbau des Antriebsmagneten werden keine Werkzeuge benötigt. Antriebsmagnet einfach fest greifen und aus der Kammer herausziehen (Abb. 3).

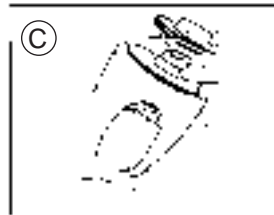


Abb. 3

## ANTRIEBSMAGNET-WARTUNG

**VORSICHT:** Diese Motoren haben eine keramische Antriebsmagnetachse. Diese Achse bietet zuverlässige, lange Lebensdauer, ist jedoch spröde. Seien Sie bei der Reinigung ganz besonders vorsichtig. Ersatzachsen sind lieferbar.

Reinigen Sie sorgfältig alle Teile von Schleim, Schmutz oder Abfall.

### **VERWENDEN SIE KEINE SCHMUTZLÖSER ODER ANDERE CHEMISCHE REINIGUNGSMITTEL.**

#### **NACH DER REINIGUNG:**

*Laguna Utility Pump 1, 2 und 3:* Achse wieder einsetzen und Antriebsmagnet auf die Achse schieben. Antriebsmagnetdeckel einsetzen und in die "on" Stellung bringen (nur für Utility Pump 2 & 3).

*Laguna Utility Pump 4, 5, 6 und 7:* Antriebsmagnet, bereits auf der Achse, in die Achsenaufnahme einsetzen. Darauf achten, dass die obere Lippe in die obere Aufnahme kommt. (Motordeckel wieder aufsetzen und mit den Schrauben sichern.)

Laguna Utility Pumpe auf das Unterteil in die richtige Position schieben.

Ersatzteile können bei Ihrem örtlichen Laguna-Händler bestellt werden.

**Das Netzkabel dieses Gerätes kann nicht ausgewechselt werden; wenn das Kabel beschädigt ist, soll das Gerät weggeworfen werden.**

#### **FEHLERSUCHANLEITUNG**

##### *Niedriger Durchfluss von der Pumpe*

- Sorgen Sie dafür, dass (ein eventuelles) Sieb sauber ist.
- Kontrollieren Sie den Eintrittsbereich auf Verstopfung.
- Kontrollieren Sie den Schlauch auf Verstopfung.

##### *Kein Durchfluss von der Pumpe*

- Kontrollieren Sie, ob der Strom eingeschaltet ist.
- Trennen Sie die Pumpe vom Netz, bauen Sie den Antriebsmagnet aus, reinigen Sie ihn, schliessen Sie die Pumpe dann wieder an.

## **GARANTIE**

Für die Laguna Utility Pumpe gibt es eine bedingungslose Garantie für Material- und Verarbeitungsfehler für die Dauer von einem Jahr ab Kaufdatum. Diese Garantie ist nur gültig für die normalen Betriebsbedingungen, für die die Pumpe vorgesehen ist. Diese Garantie gilt nicht für Geräte, die falsch angewendet, vernachlässigt oder verändert wurden. Diese Garantie bezieht sich nur auf die Pumpeneinheit.

Der Motor ist werkseitig versiegelt, bei Eingriffen erlischt die Garantie.

## **KUNDENDIENST**

Bei irgendwelchen Problemen wenden Sie sich bitte an Ihren örtlichen Lieferanten oder den Kundendienst:

HAGEN Deutschland GmbH & Co. KG

Lehmweg 99 – 105

D-25488 Holm

Tel: 04103/9600

Fax: 04103/960134

Mehr Informationen über unser gesamtes Produktprogramm erhalten Sie auf unserer Website:

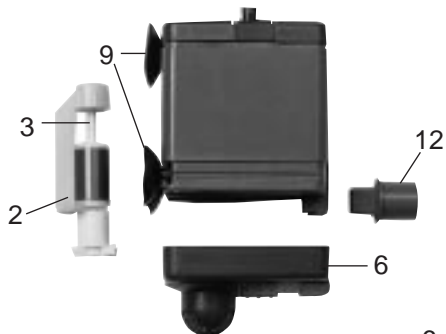
<http://www.hagenpet.com/welcome.html>

TEILE	1	2	3	4	5	6	7
1 Motor	PT2800	PT2802	PT2804	PT2806	PT2808	PT2810	PT2812
2 Antriebsmagneteinheit	PT732	PT452	PT454	PT457	PT458	PT460	PT463
3 Keramikachse		PT758	PT760	PT761	PT761		
4 Dichtring				PT762	PT762	PT764	PT764
5 Antriebsmagnet kammer-deckel		A17060	A17165				
6 Motordeckel	PT2835	PT2837	PT2839	PT2841	PT2843	PT2845	PT2847
7 Schrauben Motordeckel				PT2850	PT2850	PT2850	PT2850
8 Pumpenunterteil		PT2852	PT2854	PT2856	PT2858	PT2860	PT2862

TEILE	1	2	3	4	5	6	7
9 Saugkappen	A17010	A17010	A17010	A17010	A17010	A17010	A17010
10 Eintrittsschlauch "Klick & Fertig"-Adapter					PT630	PT630	PT630
11 Austrittsdichtring					PT635	PT635	PT635
12 Austrittsschlauch "Klick & Fertig"-Adapter	A17042	A17072	A17072				
13 Reduzier- Auslaßschlauchadapter		PT603	PT603				

Ersatzteile können bei Ihrem örtlichen Laguna-Händler bestellt werden.

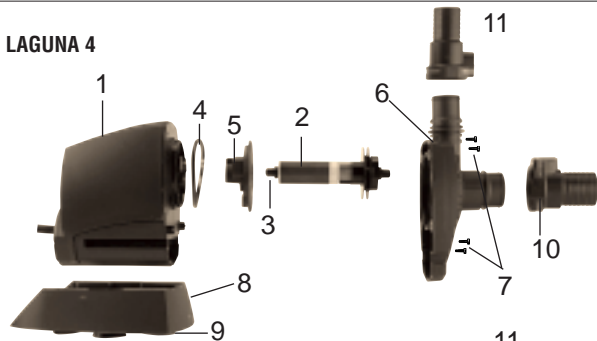
### LAGUNA 1



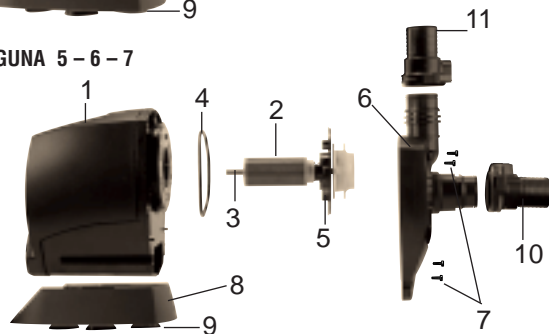
### LAGUNA 2 - 3



### LAGUNA 4



### LAGUNA 5 - 6 - 7



## BOMBAS FUNCIONALES LAGUNA

Utilización para interior y sumergida  
Para utilizar en agua dulce o salada

### INSTRUCCIONES:

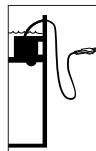
Leer atentamente antes de instalar y de poner en funcionamiento.

## NORMAS DE SEGURIDAD

Para evitar lesiones o roturas, se deben observar las siguientes precauciones básicas de seguridad cuando se esté manipulando la Bomba Funcional Laguna.

1. Para un perfecto uso y entendimiento de este producto, **LEER LAS SIGUIENTES MEDIDAS DE SEGURIDAD** y preste atención a toda la información que le detallamos sobre este aparato antes de utilizarlo. Los fallos pueden traer como resultado la muerte de los peces y/o averías de la Unidad.
2. **PELIGRO.** Para evitar posibles descargas eléctricas, debe tenerse especial cuidado puesto que se emplea el agua en la utilización de estos componentes. No trate de reparar la bomba, en caso de que ocurran algunas de las situaciones siguientes devuelva la bomba a un servicio de reparación autorizado o desechar el aparato.
  - A. Si la Bomba se cae dentro del agua, **NO LA RECOJA.** Antes que nada desenchufela y luego retírela. Si los componentes eléctricos están húmedos, desenchufar el aparato inmediatamente.
  - B. Si se observa en la Bomba alguna filtración anormal de agua, desconectarla inmediatamente de la fuente de alimentación eléctrica.
  - C. Examinar cuidadosamente la bomba de agua y sus componentes antes de su instalación. Sus componentes eléctricos deben de estar siempre secos antes de conectarla a la corriente eléctrica.
  - D. No se debe de poner en funcionamiento una bomba defectuosa que tenga un cable o enchufe estropeado de cualquier otra manera. **El cable de alimentación eléctrica de este aparato no puede reemplazarse; si el cable esta deteriorado hay que desechar la Bomba. Nunca se debe de cortar el cable.**
  - E. Para evitar la posibilidad que la clavija o el recipiente de la bomba de agua se humedezcan, estos se colocan en uno de los laterales de las

paredes del acuario. Una curva de goteo (ver fig.2) debe de ser preparada antes de conectar la bomba de agua a la corriente eléctrica. Esta curva de goteo evita que las gotas, en el caso de que se deslicen por el cable de alimentación, lleguen hasta la clavija. Si la clavija o el recipiente se humedecen, no desconecte el cable de alimentación de la corriente. Quite los fusibles o el interruptor general y luego podrá desconectar y examinar la clavija y el recipiente.



3. Es necesario una supervisión exhaustiva cuando cualquier bomba de agua esta al alcance o es utilizada por niños.
4. **Para evitar lesiones, no tocar las partes calientes o que estén en movimiento.**
5. **Desconectar siempre la bomba cuando no se esté utilizando antes de quitarla o montarla y cuando se vaya a limpiar. Nunca saque de un tirón la clavija, ni tire del cable de alimentación de la corriente. Agarrar la clavija para desconectarla.**
6. Utilizar la bomba solo para su uso recomendado (es decir, nunca en piscinas, estanques, bañeras etc...) Cualquier uso no indicado por el fabricante puede causar condiciones desfavorables.
7. No almacenar o instalar esta bomba de agua a la intemperie o en lugares demasiado fríos donde pueda congelarse.
8. Asegurarse que la instalación se ha hecho correctamente antes de ponerla en marcha.
9. Prestar atención a toda la información referida al funcionamiento de este aparato.
- 10 Si fuese necesario utilizar una alargadera debe de tenerse en cuenta que esta corresponda con el numero de amperios y vatios de la bomba de agua, nunca debe de ser inferior. La alargadera no debe ser ni muy corta ni muy larga.
11. Solamente para las unidades U.L y CSA: este aparato tiene un enchufe polarizado (una de las dos lengüetas es mas ancha que la otra). Para mas seguridad este enchufe se podrá insertar en una toma de corriente polarizada solamente. La ficha de enchufe debe de estar completamente insertada al igual que si se utiliza una alargadera. Si no se pudiese insertar como es debido, no trate nunca de forzarla, consulte con un buen electricista o cambie la toma de corriente.

12. La bomba debe de estar sumergida en el agua. La bomba de agua no debe de funcionar en seco.

### 13. GUARDAR ESTAS INSTRUCCIONES

Con respecto a la utilización y al buen entendimiento de esta bomba, se recomienda leer este manual atentamente y bien comprenderlo. Ignorar este consejo puede ocasionar daños en la bomba de agua.

#### *INSTRUCCIONES ADICIONALES SOLAMENTE PARA LOS E.E.U.U*

**PRUDENCIA – Riesgo de descarga eléctrica.** No quitar el cable ni el ajuste de tensión. No conectar el conducto a la bomba.

**ADVERTENCIA –** Para reducir los riesgos de descargas eléctricas, utilizar solamente en fuentes autónomas con una longitud no mas grande de x cm.

#### **ESPECIFICACIONES:**

Las bombas de agua Laguna están diseñadas para responder a una gran variedad de trabajos que requieren una bomba de circulación de agua sumergida. Esta variedad de usos incluye los sumideros, unidades de cultivo hidropónico, fuentes de interior y cascadas. Donde se quiera que el agua sea transportada fiable y económicamente, las bombas sumergibles funcionales Laguna son la elección apropiada para este trabajo. Son bombas que están herméticamente cerradas con todas las conexiones eléctricas recubiertas en una protección de resina epoxita para asegurar una seguridad y larga vida de uso. Como no se han empleado otras tecnologías que requieren refrigeración de aceite, estas bombas no pueden gotear o contaminar el área con el líquido refrigerante. Son diseñadas para que corran bajo el agua continuamente, sea en medios de agua dulce o de agua salada.

**Las bombas funcionales Laguna no están recomendadas o diseñadas para transportar componentes corrosivos inflamables al igual que líquidos que tengan propiedades otras que el agua.**

**La temperatura maxima del agua debe de permanecer bajo los 35°**

#### **Eligiendo el mejor rendimiento para su utilización**

Las bombas funcionales Laguna tienen una gran variedad de usos, y su amplio campo de proporción de flujo con sus diferentes alturas acomodaran casi cualquier circunstancia. Lo mas importante es determinar cuáles son las necesidades y asegurarse que la bomba será la adecuada para el trabajo. Los factores que influyen la capacidad de la bomba son la altura de la cabeza, el tubo y la resistencia del acoplamiento.

---

**Altura de la cabeza:** distancia vertical entre la superficie del agua y la salida del agua.

**Resistencia del tubo:** Por cada 3m (diez pies) de tubo, añadir 30 cm (1 pie) a la altura de la cabeza.

**Resistencia del acoplamiento:** Por cada conector de codo, añadir 30 cm (pie) a la altura de la cabeza.

---

Decir, la distancia vertical entre la superficie del agua y la salida del agua. Añadir a esta medida la cantidad de tubo necesario para transportar el agua desde el escape de la bomba a la salida del agua. Cuando se utilizan racores de unión de tubos para colocarlos alrededor de las esquinas, la resistencia del flujo del agua creada por un codo de 90° es equivalente a añadir 30cm (1 pie) por unidad. Si la instalación requiere unos 90 cm (3pies) medidos desde la superficie del agua a la salida, 3 m (10 pies) de tubo mas un codo, entonces la altura de la cabeza estaría a 150 cm (5 pies).

#### **INSTALACIÓN**

**Advertencia: Desconectar el enchufe de este o de cualquier otro aparato eléctrico sumergido antes de introducir las manos en el agua.**

**IMPORTANTE:** Utilizar siempre el tubo de mayor diámetro interior posible. Evitar curvas muy cerradas cuando se instale el tubo, las curvas suaves ofrecen menor resistencia y el agua circula mas libremente.

Ajustar tuberías de toma y salidas:

**Bomba funcional Laguna 1:** acepta solamente un tubo en la salida.

**Bomba funcional Laguna 2 y 3:** adaptadores de tubo de entrada y salida dispuestos en ambos lados para recibir el tubo directamente, puede utilizarse una abrazadera (opcional) si es necesario, con objeto de fijar el tubo en el adaptador de una manera mas permanente

**Bombas funcionales Laguna 4, 5, 6 y 7:** cada una de ellas utiliza un acoplamiento especial, cierre aldabilla, para ambas tomas de entrada y salida. El racor esta fileteado con objeto de asegurar un ajuste fijo y una conexión firme entre el tubo y el acoplamiento. Si se desea instalar una abrazadera, la configuración con el fileteado asegurara que no habra un aflojamiento durante la operación de la bomba. Una vez instalado no habra necesidad de desmontar el tubo de su acoplamiento. El cierre aldabilla se ajusta y desajusta presionando con el dedo pulgar de manera a realizar el mantenimiento facil y rápido. Para una conexión permanente directamente a la bomba, existen boquillas construidas en la cubierta del motor que pueden aceptar abrazaderas de tubo.

## Control de flujo

La única unidad con un control de flujo ajustable es la Bomba funcional Laguna 1. Girar el disco en la cubierta de base para aumentar o disminuir el flujo.

## Instalación

La bomba debe de colocarse en una superficie plana.

**Bomba funcional Laguna 1:** Debido a su tamaño, Laguna 1 no esta equipada con una base para acoplarla a la unidad o sus alrededores. Hay cuatro pequeños apoyos (pies), que soportan la toma sobre el fondo. Asegurarse que los alrededores están libres de residuos que puedan ser absorbidos por la toma y que destruyan el impulsor. La base desmontable de la bomba puede ser fijada a una base solida, un ladrillo o una tabla proveerán una plataforma solida.

**Bomba funcional 2 y 3:** Estos modelos estan equipados con una base desmontable. Pueden ser utilizados con ventosas (incluidas) para fijarlas al fondo. Como alternativa también existen cuatro perforaciones situados en la base que permiten a los tornillos posicionar la bomba en el lugar correcto. Una vez la base esta fijamente posicionada, bien con las ventosas o bien con los tornillos, colocar la bomba sobre la base, la salida mirando en la misma dirección indicada por la flecha gravada en la base. Presionar hacia abajo y adelante para ajustar la bomba a su base.

**Bomba funcional Laguna 4, 5, 6 y 7:** La base esta provista de ventosas, así como también con cuatro perforaciones que permiten a la base ser atornillada a una pieza de madera u otro material. Una vez la base ha sido fijada, deslizar la bomba sobre la base.

Asefurar de que el agua no contiene particulas que pudiesen entrar en la Bomba y danar el rotor y el motor de esta.

Aplicaciones en las que se ha utilizado graduaciones muy finas de barro, arena o gravilla, requieren la instalacion de una malla fina, que proteja el impulsor y que esté situada sobre la toma de agua, con objeto de impedir la obstrucción de la bomba.

Conectar el cable eléctrico a la toma. Para poner la Bomba de agua en marcha tiene que estar completamente llena de agua. Si el aparato no se pone en marcha inmediatamente, inclinar la salida ligeramente para así eliminar las posibles burbujas de aire que haya en el sistema.

Asegurarse que la Bomba de agua esta sumergida durante el procedimiento.

Las bases desmontables de las Bombas 2, 3, 4, 5, 6 y 7 pueden ser fijadas a una base solida, un ladrillo o una tabla proveeran una plataforma solida.

## ATENCIÓN: LA BOMBA NO DEBE DE FUNCIONAR EN VACÍO.

**Enjuagar la Bomba y el rotor después de cada uso**

## MANTENIMIENTO:

Para evitar daños corporales, no tocar piezas que estén sueltas o calientes. Desconectar siempre todos los aparatos cuando no se utilicen, antes de añadir o de quitar piezas y antes de limpiarlos. El motor de la bomba Laguna esta herméticamente cerrado y lleno de epoxita, con lo cual no requiere ninguna lubricación u otro mantenimiento. Aunque la cavidad del rotor se limpia automáticamente, se recomienda un mantenimiento asiduo. Quitar la bomba funcional Laguna del soporte de ajuste de la instalación. Desmontar toda la cavidad propulsora quitando antes que nada la cubierta de motor.

### Quitando la cubierta del motor:

**Bomba funcional Laguna 1, 2 y 3:** No son necesarias herramientas para desmontar la base de la bomba y la cubierta del motor. Una vez se ha desmontado la cubierta del motor, desplazar la flecha sobre la cubierta del impulsor (bombas funcionales 2 y 3 solamente) en dirección contraria a la marcha de las manecillas del reloj, hacia la posición "off", y levantar la cubierta del impulsor.

## MANTENIMIENTO DEL ROTOR

**ADVERTENCIA:** La unidad de este motor incluye un eje de rotor de cerámica. Este eje proveerá con rendimiento fiable y duradero. No obstante el eje es quebradizo. Por favor tenga mucho cuidado cuando lo limpie. Rotores de recambio son disponibles. Limpiar con cuidado todas las piezas para quitar el limo, la suciedad y los nitritos acumulados.

**No utilizar detergentes no otros productos quimicoa de limpieza.**

## DESPUÉS DE LA LIMPIEZA

**Bomba funcional Laguna 1, 2 y 3:** Colocar de nuevo el conjunto del eje en su posición anterior y el impulsor en el eje. Sustituir la cubierta del rotor en la posición "on" (Para la Bomba Funcional 1, 2 y 3 solamente).

**Bomba funcional 4, 5, 6 y 7:** Insertar el impulsor y colocarlo en el eje o vástago en el receptáculo del eje. Asegurarse de que el extremo superior este insertado en el receptáculo superior. (Colocar la cubierta del motor de nuevo en su posición y fijarla con los tornillos).

Deslizar la bomba funcional Laguna en su sitio en la base.

Las piezas de recambio pueden encargarse en la animaleria de su zona o a la división de asistencia técnica.

*Bomba funcional Laguna 4, 5, 6 y 7:*  
Utilizar un destornillador Philips (cabeza en cruz) para desmontar los 4 tornillos (A) que sujetan la cubierta del motor (B) (Figura 1).

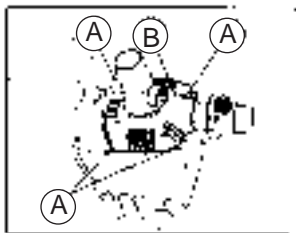


Figura 1

#### Quitando el Rotor:

*Bomba funcional Laguna 1, 2 y 3:*  
Quitar el rotor y el conjunto de válvula de cerámica-Para quitar este último, insertar el gancho provisto en el orificio cerca de la base de la unidad, levantar el conjunto hacia arriba y fuera. (Fig. 2)

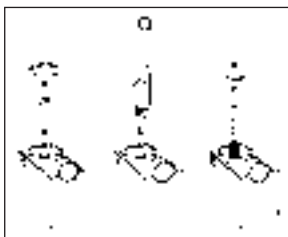


Figura 2

*Bomba funcional Laguna 4, 5, 6 y 7:* No se necesitan herramientas para sacar el rotor (C). Simplemente agarrelo

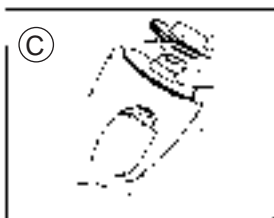


Figura 3

**El cable de alimentación de éste aparato no puede reemplazarse. Si el interior del cable esta deteriorado hay que desechar el cable entero.**

#### VERIFICACIÓN:

*Corriente de agua baja y floja*

- Asegurarse que el filtro (si existe) esta limpio.
- Verificar la toma de agua,por obstrucciones o si esta bloqueada.
- Verificar las tuberías por si estuviesen obstruidas.

*No hay corriente de agua de la bomba*

- Verificar si la alimentación eléctrica de la bomba esta en "ON".
- Desconectar la bomba,desconectar el conjunto del impulsor y limpiar.Reconectar la bomba.

## DESPIECES

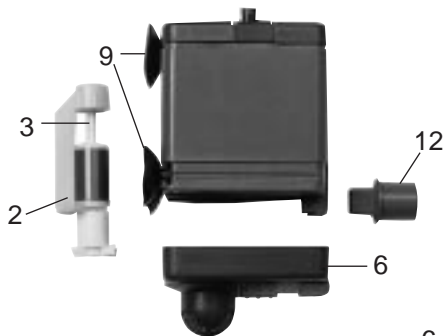
	1	2	3	4	5	6	7
1 Motor	PT2800	PT2802	PT2804	PT2806	PT2808	PT2810	PT2812
2 Ensamblaje del Rotor	PT732	PT452	PT454	PT457	PT458	PT460	PT463
3 Vastago de Ceramica del Rotor		PT758	PT760	PT761	PT761		
4 Anillo Torico				PT762	PT762	PT764	PT764
5 Cubierta del Rotor		A17060	A17165				
6 Cubierta del Motor	PT2835	PT2837	PT2839	PT2841	PT2843	PT2845	PT2847
7 Tornillos de la Cubierta del Motor				PT2850	PT2850	PT2850	PT2850
8 Base de la Bomba		PT2852	PT2854	PT2856	PT2858	PT2860	PT2862
9 Ventosas	A17010	A17010	A17010	A17010	A17010	A17010	A17010

## DESPIECES

	1	2	3	4	5	6	7
10 Adaptador de tubo de entrada con cierre aldabilla						PT630	PT630
11 Adaptador de tubo de salida con cierre aldabilla						PT635	PT635
12 Adaptador de tubo de salida	A17042	A17072	A17072				
13 Reductor del adaptador de tubo de salida		PT603	PT603				

Las piezas de recambio pueden encargarse en la animaleria de su zona o a la division de asistencia tecnica mas cercana.

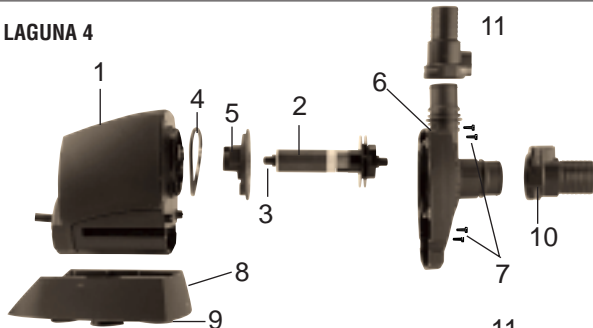
### LAGUNA 1



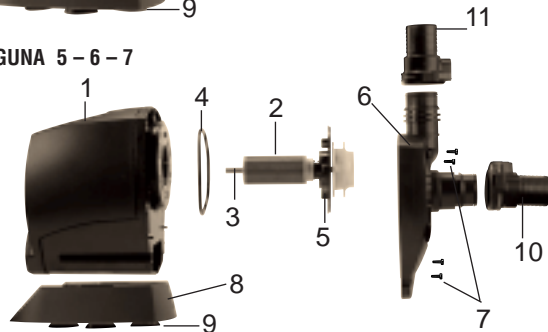
### LAGUNA 2 - 3



### LAGUNA 4



### LAGUNA 5 - 6 - 7





## GARANTIA

La Bomba Funcional Laguna esta garantizada contra toda clase de material defectuoso y de fabricación, por un período de un año a partir de la fecha de adquisición. Esta garantía es valida solamente en condiciones normales de utilización para las cuales la bomba esta prevista. Esta garantía no será aplicable en casos de utilización anormal, negligencia o de modificación de la unidad. Esta limitada a la unidad de la bomba solamente.

El motor sale precintado de la factoría, su alteración anulara la garantía.

## SERVICIO

Si tiene usted algún problema o pregunta acerca del empleo de este producto, déjenos porfavor ayudarle antes de que decida devolver el producto a su tienda. La mayoría de los problemas pueden ser tratados inmediatamente, mediante una simple llamada telefónica a una línea gratuita. Cuando nos llame (o nos escriba) tenga disponible toda la información mas pertinente, numero de modelo y/o numero de piezas, así como la descripción o naturaleza del problema. Llame a nuestro departamento de servicio a la clientela:

Solo en Canada: Línea gratuita 1-800-55Hagen (1-800-554-2436)  
Entre las 9h00 y las 17h00 hora del Este.

Solo en los E.E.U.U.: Línea gratuita 1-800-724-2436  
Entre las 9h00 y las 17h00 hora del Este.

Solo en el R.U.: Línea de ayuda 0977-556-622  
Entre las 9h00 y las 17h00

### Para el servicio autorizado de reparación bajo garantía:

Devolver el aparato con la fecha de adquisición a:

Canada Rolf.C.Hagen Inc  
3225 Sartelon St., Montreal, Quebec, H9R 1E8

E.E.U.U Rolf C. Hagen (USA) Corp.  
P50 Hampden Road, Mansfield, Ma. 02048-9107

R.U Rolf C. Hagen (UK) Ltd.  
California Dr. Whitwood Ind. Est., Castleford,  
West Yorkshire  
WF10-5QH

Para información general sobre la gama completa de nuestros productos, conecte con nuestro website: <http://www.hagenpet.com/welcome.html>

CANADA

## WARRANTY REGISTRATION CARD/FICHE DE GARANTIE

Return to validate your guarantee/À retourner pour valider votre garantie



Name  
Nom

Address  
Adresse

City  
Ville

Telephone  
Téléphone

Date Purchased  
Date de l'achat

City  
Ville

Province

Age  
Age

Store  
Magasin

Province

Postal Code  
Code postal

Sex  
Sexe

Was this a gift?  
S'agit-il d'un cadeau? YES OUI  NO NON

Pump used for:  
Pompe utilisée pour :  Aquarium Sump  Fountain  Fontaine  Basement Sump  Assèchement d'un aquarium  Assèchement d'un sous-sol

Other/Specify  
Autre/Spécifier

Check Laguna product purchased:  
Cocher le produit Laguna acheté : 1  2  3  4  5  6  7

Rolf C. Hagen Inc. 3225, rue Sartelon Montréal (Québec) H4R 1E8

U . S . A .

## WARRANTY REGISTRATION CARD

Return to validate your guarantee



Name \_\_\_\_\_

Address \_\_\_\_\_

City \_\_\_\_\_ State \_\_\_\_\_

Zip Code \_\_\_\_\_ Telephone ( \_\_\_\_\_ ) \_\_\_\_\_

Date Purchased \_\_\_\_\_ Store \_\_\_\_\_

City \_\_\_\_\_ State \_\_\_\_\_

Was this a gift?  YES  NO Age \_\_\_\_\_ Sex \_\_\_\_\_

Pump used for:  Aquarium Sump  Fountain  Basement Sump  Other/ Specify \_\_\_\_\_

Check Laguna product purchased: 1  2  3  4  5  6  7

Rolf C. Hagen (U.S.A.) Corp. P.O. Box 9107, Mansfield, Ma. 02048 U.S.A.

U . K .

## WARRANTY REGISTRATION CARD

Return to validate your guarantee



Name \_\_\_\_\_

Address \_\_\_\_\_

City \_\_\_\_\_ Age group: 16 or less  17-35  36-60  Over 60

Sex: MALE  FEMALE

Occupation: Professional/Management  Clerical  Manual  Student  Retired

Unemployed  Other (please specify) \_\_\_\_\_

Which factor most influenced your decision to purchase this product? Store display  Advertisement

Retailer recommendation  Recommendation of a friend or relative  Received as a gift

Other (please specify) \_\_\_\_\_

Pump used for:  Aquarium Sump  Fountain  Basement Sump  Other/ Specify \_\_\_\_\_

Check Laguna product purchased: 1  2  3  4  5  6  7

Rolf C. Hagen (U.K.) Ltd. California Dr. Whitwood Industrial Estate, Castleford, West Yorkshire WF10-5QH

**F R A N C E**

## **FICHE DE GARANTIE**



À retourner pour valider votre garantie

Nom \_\_\_\_\_

Adresse \_\_\_\_\_

Code postal \_\_\_\_\_ Ville \_\_\_\_\_

Téléphone \_\_\_\_\_ Âge \_\_\_\_\_ Sexe \_\_\_\_\_

Date de l'achat \_\_\_\_\_ Magasin \_\_\_\_\_

Code postal \_\_\_\_\_ Ville \_\_\_\_\_

S'agit-il d'un cadeau?  OUI  NON

Pompe utilisée pour :  D'assèchement d'un aquarium  Fontain  Assèchement d'un sous-sol  
 Autre/Spécifier \_\_\_\_\_

Côcher le produit Laguna acheté : 1  2  3  4  5  6  7

Rolf C. Hagen (France) SA, Port autonome de Bonneuil, 5 route de Stains, bâtiment D, F-94387 Bonneuil-sur-Marne, France

**DEUTSCHLAND**

## **GARANTIE REGISTRIERUNGSKARTE**



Bitte zurücksenden zur Erhaltung der Garantie

Name \_\_\_\_\_

Adresse \_\_\_\_\_

Stadt \_\_\_\_\_ Land \_\_\_\_\_

Postleitzahl \_\_\_\_\_ Telefon-Nummer \_\_\_\_\_

Kaufdatum \_\_\_\_\_ Geschäft \_\_\_\_\_

Stadt \_\_\_\_\_ Land \_\_\_\_\_

War es ein Geschenk? JA  NEIN  Alter \_\_\_\_\_ Geschlecht \_\_\_\_\_

Pumpe verwendet für:  Aquarium  Springbrunnen  Keller-Tauchpumpe  
 andere Anwendungen: \_\_\_\_\_

welches Produkt erworben: 1  2  3  4  5  6  7

Hagen Deutschland, Lehmweg 99 – 105, D-25488 Holm

**E S P A Ñ A**

# TARJETA DE REGISTRO DE GARANTÍA



Devuélvala cumplimentada para validar su garantía

Nombre y Apellidos \_\_\_\_\_

Dirección \_\_\_\_\_

Ciudad \_\_\_\_\_ Provincia \_\_\_\_\_

Código Postal \_\_\_\_\_ Teléfono \_\_\_\_\_

Fecha de adquisición \_\_\_\_\_ Comercio \_\_\_\_\_

Ciudad \_\_\_\_\_ Provincia \_\_\_\_\_

Fué un regalo?    SI     NO     Edad \_\_\_\_\_    Sexo \_\_\_\_\_

Bomba utilizada para:     sumidero de un acuario     de una fuente     De un sótano  
 otro/especificar \_\_\_\_\_

Marque el artículo Laguna comprado:    1     2     3     4     5     6     7