

MARINA[®]

360[°]

Aquarium Kit

- Instruction Manual
- Mode d'emploi
- Manual de instrucciones
- Handleiding
- Manual de utilização



Aquarium équipé • Kit para acuarios
Aquariumkit • Kit para aquários

Dear Customer,

Congratulations on your purchase of the Marina 360°. We are pleased that you have decided to explore the aquatic hobby, and we want your experience with the Marina 360° to be a positive one. For a complete understanding of the aquarium, please read and follow these instructions for proper installation, maintenance and use. Failure to do so may result in loss of fish and/or damage to the unit.

Cher client,

Félicitations pour l'achat de l'aquarium Marina 360°. Nous sommes heureux que vous ayez décidé d'explorer ce passe-temps qu'est l'aquariophilie et voulons que votre expérience avec l'aquarium Marina 360° soit positive. Pour une compréhension complète de l'aquarium, prière de lire et suivre ce mode d'emploi pour bien l'installer, l'entretenir et l'utiliser. Manquer à ces précautions pourrait entraîner la perte de poissons ou des dommages à l'appareil.

Estimado cliente:

Felicitaciones por su compra de Marina 360°. Nos complace que haya decidido explorar un el pasatiempo acuático y deseamos que su experiencia con Marina 360° sea de su agrado. Para entender totalmente el acuario, lea y siga las instrucciones para instalar, mantener y utilizar correctamente el aparato. De lo contrario, podría ocasionar la muerte de los peces o dañar el equipo.

Beste klant,

Gefeliciteerd met uw aankoop van de Marina 360°. Wij zijn blij dat u uw keuze heeft laten vallen op dit aquarium en wensen u veel plezier met het beoefenen van uw hobby. Om een volledig beeld te krijgen van het aquarium, raden wij u ten zeerste aan om deze richtlijnen voor de installatie, het onderhoud en het gebruik zorgvuldig te lezen en in acht te nemen. Als u dat niet doet, kan dit het leven van de vissen in gevaar brengen en/of schade toebrengen aan het aquarium.

Prezado Cliente,

Parabéns pela compra de Marina 360°. Ficamos satisfeitos por ter decidido explorar este tipo de actividade relacionada com aquários e queremos que sua experiência com Marina 360 seja altamente positiva. Para um conhecimento completo do aquário, por favor leia e siga as instruções sobre instalação, manutenção e utilização correctas. O não cumprimento destas instruções poderá resultar na morte de peixes e/ou danificar a unidade

COMPONENT LIST: / LISTE DES PIÈCES : / LISTA DE COMPONENTES: / ONDERDELENLIJST: / LISTA DE COMPONENTES:

1. • 2.65 US gal. (10 L) aquarium with removable cover
 - Aquarium de 10 L (2,65 gal US) avec couvercle amovible
 - Aquario de 10 l (2,65 gal. EUA) con tapa desmontable
 - Aquarium van 10 liter (2,65 US gal.) met verwijderbaar deksel
 - Aquário com capacidade para 10 L (2,65 galões (EUA)) com tampa removível
2. • Filter/LED module
 - Système de filtration intégré avec éclairage à DEL
 - Módulo de filtro/LED
 - Ingebouwd filtersysteem met LED-verlichting
 - Módulo de filtro/LED
3. • 2 filter cartridges
 - 2 cartouches de filtration
 - 2 cartuchos filtrantes
 - 2 filterpatronen
 - 2 cartuchos filtrantes
4. • Biological aquarium supplement
 - Supplément biologique pour aquariums
 - Suplemento biológico para acuarios
 - Biologische aquariumaanvulling
 - Suplemento biológico para aquários
5. • Water conditioner
 - Traitement de l'eau
 - Acondicionador de agua
 - Waterbehandelaar
 - Condicionador de água
6. • Transformer
 - Transformateur
 - Transformador
 - Transformator
 - Transformador



1



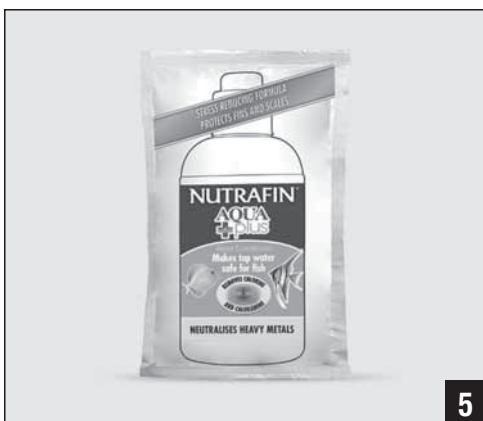
2



3



4



5



6



**INTEGRATED FILTER SPECIFICATIONS:
CARACTÉRISTIQUES DU FILTRE INTÉGRÉ :
ESPECIFICACIONES DEL FILTRO INCORPORADO:
SPECIFICATIES INGEBOUWDE FILTER:
ESPECIFICAÇÕES DO FILTRO INTEGRADO:**

Pump output Rendement de la pompe Caudal de la bomba Pompdebit Saída da bomba	Electrical Rating Puissance électrique Valores eléctricos nominales Elektrische wattages filterpomp Potência eléctrica
39.6 US gal./Hr (150 L/Hr)	12V~ 60 Hz - 9 W
	12V~ 50 Hz - 4.8W

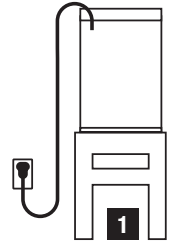
IMPORTANT SAFETY INSTRUCTIONS

WARNING - To guard against injury, basic safety precautions should be observed, including the following:

- 1. READ AND FOLLOW ALL SAFETY INSTRUCTIONS** and all the important notices on the appliance before using. Failure to do so may result in loss of fish life and/or damage to this appliance.
- 2. DANGER** – To avoid possible electric shock, special care should be taken since water is employed in the use of aquarium equipment. For each of the following situations, do not attempt repairs yourself; return the appliance to an authorized service facility for service or discard the appliance.
 - A.** If the appliance shows any sign of abnormal water leakage, immediately unplug it from the power source.
 - B.** Carefully examine the appliance after installation. It should not be plugged in if there is water on parts not intended to be wet. If the appliance or any part of it falls into the water **DO NOT** reach for it. First unplug the unit before retrieving.
 - C.** Do not operate any appliance if it has a damaged cord or plug, or if it is malfunctioning or it is dropped or damaged in any manner. The power cord of this appliance cannot be replaced. If the cord is damaged, the appliance should be discarded. Never cut the cord.
 - D.** A “drip loop”, shown in illustration (Ill. 1), should be arranged by the user for each cord connecting an aquarium appliance to the socket. The “drip loop” is the part of the cord below the level of the receptacle, or the connector if an extension cord is in use. This prevents water from traveling along the cord and coming into with the socket or power supply. If the plug or socket gets wet, **DO NOT** unplug the cord. Disconnect the fuse or circuit breaker that supplies power to the appliance then unplug and examine for the presence of water in the socket.
 - E.** This appliance is not intended for use by persons (including children) with significantly impaired physical or mental capabilities, unless they have been given supervision or instruction concerning the use of the appliance by a person responsible for their safety. Children should always be supervised to ensure that they do not play with the appliance.
 - F.** To avoid injury, do not contact moving parts or hot parts such as heaters, reflectors, lamp bulbs and the like. Max. Operating Temperature 35°C.
 - G.** Always unplug the appliance from the outlet when not in use, before putting on or taking off parts, re-lamping and before cleaning. Never yank the cord to pull the power supply from the outlet. Grasp the power supply and pull to disconnect. The use of attachments not recommended or sold by the appliance manufacturer may cause an unsafe condition. Do not use this appliance for any purpose other than its intended use.
 - H.** Do not install or store the appliance where it will be exposed to weather or temperatures below freezing. **FOR INDOOR HOUSEHOLD USE ONLY.**
 - I.** Make sure the appliance is mounted correctly and securely positioned on the aquarium before operating the appliance.
 - J.** Read and observe all important notices on the appliance.
 - K.** If the use of an extension cord is necessary, an extension cable with the proper electrical rating should be used. An extension cable rated for less amperage or wattage than the appliance rating may overheat. Care should be taken to arrange the cable so that it will not be tripped over or pulled. **CAUTION: Use only the transformer supplied with this unit to power the lighting system.**
- 3.** For the complete use and understanding of this product it is recommended that this manual is thoroughly read and understood. Failure to do so may result in damage to this product.
- 4. WARNING** – For North American market only: The transformer supplied with this appliance has polarized receptacle blades (one blade is wider than the other). As a safety feature, this transformer will fit in a polarized outlet only one way. If the transformer does not fit fully into the outlet, turn it 180° and reinsert into outlet.

CLEANING – It is important to keep this appliance clean. Unplug power supply prior to cleaning the lamp, pump or any other portion of the aquarium. Use both hands when manipulating this appliance. Wipe exposed surfaces carefully with a damp cloth to remove any dust or mineral deposits that may collect over time. Make sure all surfaces are dry before re-connecting the appliance to the power source.

SERVICING – In order to assure proper electrical connections and polarity, replacement parts and servicing should be performed only by a qualified electrician.



SAVE THESE INSTRUCTIONS

1 - PREPARING YOUR AQUARIUM

NEVER USE SOAP OR DETERGENTS on any component placed in your aquarium.

- Carefully remove all components from the packaging and ensure that nothing is missing or damaged. Refer to component list on the inside cover.
- Thoroughly rinse the aquarium and cover using fresh water.
- Place aquarium on a level, sturdy surface; away from any electrical equipment, direct sunlight, drafts, heat sources or high traffic areas.

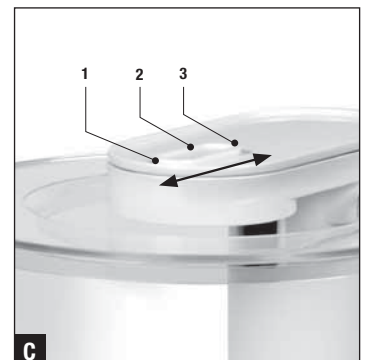
DECORATING AND ADDING WATER

- Rinse gravel (sold separately) and ornaments (sold separately) to remove any debris before adding to your aquarium.
- Carefully add and distribute gravel in the aquarium avoiding the walls. Make sure that there is enough room for the filter/LED module and that the space beneath the filter module is free to prevent filter clogging (Ill. A).
- Decorate with plants, rocks and other ornaments (each sold separately).
- Fill $\frac{3}{4}$ of the aquarium with room temperature water.
- Add correct doses of water conditioner and biological aquarium supplement.



PREPARING YOUR FILTER/LED MODULE

- Make sure unit is unplugged.
- Remove filter cartridges from module, rinse with fresh water and replace in original positions (Ill. B).
- Place filter/LED module on the aquarium tank. Make sure there is enough space beneath it for proper water intake.
- Start filter by connecting power cord of the filter/LED light module to the transformer, and then plugging in transformer into the electrical outlet. Make sure to create a “drip loop” for safety.
- Set LED lighting modes by shifting between Bright Daytime White (1), OFF (2) and Deep Blue Nighttime (3) positions using selector switch on top of the filter module (Ill C).



2 - INTRODUCING FISH

ADD A HEATER

Turn your kit into a tropical aquarium by placing this 10 watt Marina compact heater* in the space provided behind the filter cartridges (iii. D). *Sold separately.

DO NOT ADD FISH IMMEDIATELY.

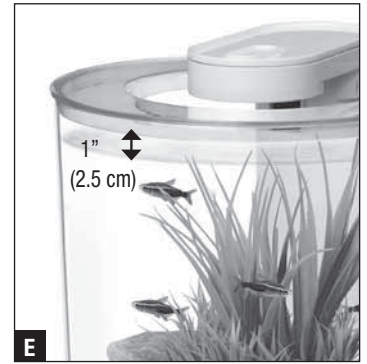
- Wait 3-4 days before introducing fish so that the water temperature has a chance to stabilize. Let the pet store personnel guide you in your fish choice. Use the supplied biological aquarium supplement and water conditioner as directed.
- Acclimatize fish before introducing them into the aquarium. Simply float the bag containing the fish in the aquarium to regulate water temperature in the bag and reduce the risk of stressing your fish. It is not recommended to pour the water from the bag into your aquarium.
- Once all gravel, décor and inhabitants have been added, top up the aquarium with water leaving at least 1" (2.5 cm) from the top of the tank (iii. E).

ATTENTION: Do not move the Marina 360° once it is full of water.

- Place cover on top of aquarium.

FEEDING YOUR FISH

Once your fish have been introduced into the tank, avoid feeding them for 24 hours. Thereafter, it is essential that you **DO NOT OVERFEED YOUR FISH**. The standard rule of thumb is to feed them only as much as they can completely consume in two minutes, once a day.



3 - AQUARIUM CARE AND MAINTENANCE

WARNING: ALWAYS DISCONNECT APPLIANCES IN THE AQUARIUM FROM THE ELECTRICAL SUPPLY BEFORE PLACING HANDS IN THE WATER, BEFORE PUTTING ON OR TAKING OFF PARTS, AND WHENEVER THE FILTER EQUIPMENT IS BEING INSTALLED, MAINTAINED OR HANDLED.

DO NOT place hands, décor or introduce any inhabitants into the aquarium without removing at least 25% of the water volume as the displacement will overflow the aquarium water, and may cause damage to the unit or the support surface.

DO NOT USE OR PLACE ANYTHING THAT HAS COME IN CONTACT WITH SOAP IN THE AQUARIUM

REGULAR MAINTENANCE

On a daily basis, you should remove any visible debris or uneaten food, and ensure that the filter is running smoothly. On a weekly basis, remove 10-20% of the water using a gravel cleaner to ensure cleanliness and to reduce build up of unwanted nitrate and waste. Replace with tap water of similar temperature, and add the correct doses of water conditioner and biological aquarium supplement. **NOTE:** Never change more than 20% of the water at any given time.

REPLACING FILTER CARTRIDGES

For best results, replace cartridge every two (2) to four (4) weeks. **NOTE:** It is important not to change all cartridges at the same time to ensure proper biological filtration.

1. Turn power off and remove filter cartridge from slot 1 (iii. F), rinse thoroughly with tap water and replace into slot 2 (move the other cartridge to slot 1).

MOTOR CLEANING

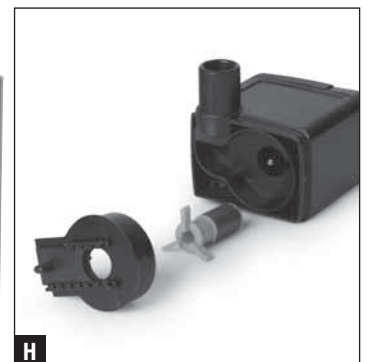
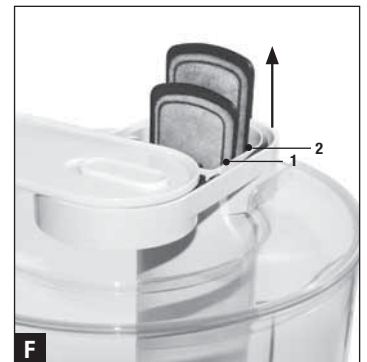
For best results, clean impeller and impeller well, every three (3) to six (6) months or should the filter stop running at any point. Replace impeller yearly for optimal performance. It is recommended that you remove the motor and inspect the impeller as part of your routine maintenance. Keeping the impeller clean reduces wear, lengthens its life and the life of the motor.

1. Turn power off and pull out filter tube from the filter/LED module (iii. G).
2. Remove the inlet cover and then the impeller cover. Pull the impeller from the impeller well (iii. H).
3. Rinse impeller under water and wash off any slimy build-up that has accumulated on the impeller and in the impeller well, and reassemble. **Important: DO NOT** use chemical cleaners.
4. Use a Marina cleaning brush (#10683-sold separately) to clean motor.

CLEANING THE FILTER/LED UNIT

Clean every three (3) to six (6) months.

1. Turn power off and remove filter tube and filter cartridges. Wipe unit with damp cloth.
2. Rinse filter tube or clean with a Marina cleaning brush.



4 - TROUBLESHOOTING

Keep in mind that you are introducing a living creature into your life. Much like with humans, we have to adapt to our environments, deal with the odd cold, etc. Below are some common problems that can arise with some helpful tips to assist you.

CLOUDY TANK

This can typically occur during initial set up as a result of the biological balance trying to establish itself in the aquarium or as a result of overfeeding. **See Recommended Course Of Action "A"**.

LETHARGIC FISH

This often results during initial set up or at other times when the water quality is poor. When there are high levels of ammonia and nitrites, the fish tend to instinctively stay closer to the bottom and conserve their energy by moving less. It is hard for them to breathe in poor water conditions. **See Recommended Course Of Action "A"**.

SMELLY WATER

When there are high levels of ammonia, nitrites and nitrates, in addition to cloudy water, a foul smell can result. **See Recommended Course Of Action "A"**.

GREEN WATER

Green water is caused by the growth of algae. Algae is a plant that requires light and nutrients to grow. In order to prevent its growth, remove your tank from the light and make sure you are feeding a high quality fish food. Perform a 25% water change every four (4) days. Cut back on feeding, use a high quality fish food, and dose with Biological Aquarium Supplement, as well with Water Conditioner with every water change. If the situation does not remedy itself within three (3) weeks, it is possible that the green water is occurring for another reason.

See Recommended Course Of Action "B".

SPOTTED FISH (ICH)

If you notice white spots on your fish, along with uncharacteristic behavior, this may be a sign that your fish is sick. Consult with your pet store and they can recommend an appropriate remedy.

See Recommended Course Of Action "B".

REPLACEMENT PARTS

A13965 - Marina 360 10 L Replacement tank

A13966 - Marina 360 Replacement 10 L Tank Cover/Lid

A13967 - Marina 360 Replacement transformer

A13969 - Marina 360 Replacement impeller

A13968 - Marina 360 Replacement Filter/LED light unit

12859 - Marina 360 Replacement Slim filter Bio-Carb cartridge, 4 pack

TWO YEAR LIMITED WARRANTY

Your Marina 360° aquarium is guaranteed for defects in material or workmanship for a period of two years from the date of purchase. This guarantee is valid with proof of purchase only. The guarantee is limited to repair or replacement of the unit only and does not cover consequential loss or damage to animate or inanimate objects. This guarantee is valid provided the aquarium is placed on a surface that is flat and leveled and able to withstand the weight of the aquarium when filled with water, gravel and ornaments. Do not lift or move the aquarium while it contains water. This guarantee excludes aquarium breakage due to misuse, chips, stress cracks caused by improper support or other breakage. The guarantee is invalid if the filter has not been correctly maintained. It excludes any damage caused by unreasonable use, improper installation, tampering or abuse of the unit. This guarantee does not affect your statutory rights. Does not cover impeller wear or filter media. If at sometime in the future you have cause to claim under this guarantee, you will need to provide proof and date of purchase. We recommend that you retain your receipt for this purpose.

FOR AUTHORIZED GUARANTEE REPAIR SERVICE

Please return (well packaged and by registered post) to the address below enclosing dated receipt and reason for return. If you have any queries or comments about the operation of this product, please let us try to help you before you return the product to your retailer. Most queries can be handled promptly with a phone call. When you call (or write), please have all relevant information such as model number, age of product, details of aquarium set-up, as well as the nature of the problem.

CANADA: Hagen Industries, Consumer Repair, 3235 Guénette, Montréal QC H4S 1N2

Canada only: 1-800-554-2436 between 9:00 a.m. and 4:30 p.m. Eastern Standard Time. Ask for Customer Service.

U.S.A.: Rolf C. Hagen (U.S.A.) Corp., 305 Forbes Blvd, Mansfield, MA. 02048

U.S.A only: 1-800-724-2436 between 9:00 a.m. and 4:00 p.m. Eastern Standard Time. Ask for Customer Service.

UK: Rolf C. Hagen (UK) Ltd, Customer Service Department, California Drive, Whitwood Ind Est., Castleford, West Yorkshire WF10 5QH

U.K. only: Helpline Number 01977 556622. Between 9:00 AM and 5:00 PM, Monday to Friday (excluding Bank Holidays). www.hagen-uk.custhelp.com

For more information on our products, please visit our website: www.hagen.com.

RECYCLING

This product bears the selective sorting symbol for waste electrical and electronic equipment (WEEE). This means that this product must be handled pursuant to European Directive 2002/96/EC in order to be recycled or dismantled to minimize its impact on the environment. Check with your local Environmental Agency for possible disposal instructions or take to an official council registered refuse collection point. Electronic products not included in the selective sorting process are potentially dangerous for the environment and human health due to the presence of hazardous substances.

RECOMMENDED COURSE OF ACTION A

Perform a partial water change (up to 25% of the water), add in a dose of Water Conditioner and a dose of Biological Aquarium Supplement. Reduce your feedings to once every two days until you see positive results. If this does not work, test your water (see Recommended course of action "B") to determine the cause and choose an appropriate course of action.



RECOMMENDED COURSE OF ACTION B

If you are not sure why you are having a problem with your aquarium, bring a sample of the aquarium water, as well as a sample of the tap water to your pet store so that they can test it to determine the cause and guide you to an appropriate course of action. Thereafter, you can obtain your own Nutrafin Test Kits to test the water at your convenience.



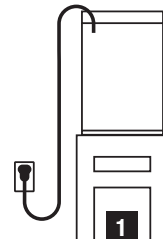
MESURES DE SÉCURITÉ IMPORTANTES

AVERTISSEMENT – Pour éviter toute blessure, il faut observer des précautions élémentaires de sécurité, y compris les suivantes :

- LIRE ET RESPECTER TOUTES LES MESURES DE SÉCURITÉ** avant usage et tous les avis importants apparaissant sur l'appareil. Manquer à ces précautions peut entraîner la perte de poissons ou des dommages à l'appareil.
- DANGER** – Pour éviter tout risque de choc électrique, faire particulièrement attention puisque l'eau est employée pour utiliser de l'équipement d'aquarium. Dans chacune des situations suivantes, ne pas essayer de réparer soi-même l'appareil; le retourner plutôt à un service de réparation autorisé ou le jeter.
 - Si l'appareil montre un signe de fuite d'eau anormale, le débrancher immédiatement de l'alimentation principale.
 - Examiner attentivement l'appareil après l'installation. On ne doit pas brancher l'appareil en présence d'eau sur des pièces qui ne doivent pas être mouillées. Si un appareil ou une de ses pièces tombe dans l'eau, **NE PAS** essayer de l'attraper. Le débrancher d'abord avant de le récupérer.
 - Ne pas faire fonctionner un appareil dont la fiche ou le cordon d'alimentation sont endommagés, ou qui ne fonctionne pas correctement, est tombé ou a été endommagé d'une manière quelconque. Le cordon d'alimentation de cet appareil ne peut pas être remplacé; si le cordon est endommagé, il faut jeter l'appareil. Ne jamais couper le cordon.
 - Une « boucle d'égouttement », comme sur l'illustration 1, doit être formée par l'utilisateur pour chaque cordon électrique raccordant un appareil d'aquarium à un réceptacle. La « boucle d'égouttement » est la partie du cordon se trouvant sous la prise de courant, ou le raccord si une rallonge est utilisée. Elle empêche l'eau de glisser le long du cordon et d'entrer en contact avec la prise de courant ou la source d'alimentation. Si la fiche ou la prise de courant sont mouillées, **NE PAS** débrancher l'appareil. Mettre d'abord hors circuit le fusible ou le disjoncteur qui fournit l'électricité à l'appareil et le débrancher ensuite.
 - Cet appareil ne doit pas être utilisé par des personnes (y compris des enfants) aux capacités physiques ou mentales réduites, à moins qu'elles soient placées sous la supervision d'une personne chargée de leur sécurité ou qu'elles en aient reçu les directives nécessaires à l'utilisation de cet appareil. Toujours surveiller les enfants pour les empêcher de jouer avec cet appareil.
 - Pour éviter toute blessure, ne toucher aucune pièce mobile ou chaude comme des chauffe-eau, des réflecteurs, des ampoules ou des tubes, etc. Température maximale de fonctionnement de 35 °C.
 - Toujours débrancher un appareil quand il n'est pas utilisé, avant d'insérer ou de retirer des pièces, de changer un tube et avant de le nettoyer. Ne jamais tirer sur le cordon d'alimentation pour débrancher l'appareil, mais plutôt prendre la fiche entre les doigts et tirer. L'emploi de fixations ni recommandées ni vendues par le fabricant de l'appareil peut être source de situations dangereuses. Ne pas se servir de cet appareil pour un usage autre que celui pour lequel il a été conçu.
 - Ne pas installer ni ranger l'appareil où il sera exposé aux intempéries ou à des températures sous le point de congélation. **POUR USAGE DOMESTIQUE ET À L'INTÉRIEUR SEULEMENT.**
 - S'assurer que l'appareil est installé correctement et solidement sur l'aquarium avant de le faire fonctionner.
 - Lire et observer tous les avis importants apparaissant sur l'appareil.
 - Si une rallonge électrique est nécessaire, vérifier qu'elle est d'un calibre suffisant. Un cordon électrique de moins d'ampères ou de watts que l'appareil peut surchauffer. Des précautions doivent être prises afin d'éviter qu'on tire la rallonge ou qu'on trébuche dessus. AVERTISSEMENT : Utiliser seulement le transformateur fourni avec cet appareil pour alimenter le système d'éclairage.**
- Pour comprendre le fonctionnement de cet appareil et bien l'utiliser, il est recommandé de lire le mode d'emploi au complet. Le non-respect de cette directive peut entraîner des dommages à l'appareil.
- AVERTISSEMENT** – (pour l'Amérique du Nord) : Le transformateur fourni avec cet appareil se branche sur une prise polarisée d'un seul côté (une des deux lames est plus grande que l'autre). Comme dispositif de sécurité, cette fiche ne se branchera sur une prise polarisée que d'un seul côté. Si le transformateur n'entre pas complètement dans la prise, le tourner à 180° et le réinsérer dans la prise.

NETTOYAGE – Il est important de garder cet appareil propre. Le débrancher avant de nettoyer les ampoules, la pompe ou toute autre partie de l'aquarium. Se servir de ses deux mains lorsqu'on manipule cet appareil. Essuyer soigneusement les surfaces exposées avec un linge humide pour enlever la poussière ou les dépôts minéraux pouvant s'accumuler avec le temps. Vérifier que toutes les surfaces sont sèches avant de rebrancher l'appareil.

ENTRETIEN – Afin d'assurer les raccordements électriques et la polarité convenables, l'installation des pièces de rechange et l'entretien doivent être effectués seulement par un électricien qualifié.



CONSERVER CES INSTRUCTIONS

1 - PRÉPARATION DE L'AQUARIUM

NE JAMAIS UTILISER NI SAVON NI DÉTERGENTS Sur quoi que ce soit qui sera mis dans l'aquarium.

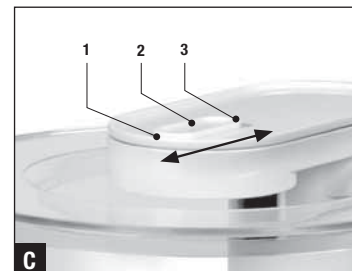
- Retirer soigneusement toutes les pièces de l'emballage et s'assurer que rien ne manque ou n'est endommagé. Consulter la liste des pièces au recto du couvercle.
- Rincer à fond l'aquarium et le couvercle à l'eau douce.
- S'assurer de placer l'aquarium sur une surface solide et de niveau, loin de tout équipement électrique, de la lumière directe du soleil, des courants d'air, des sources de chaleur ou d'une circulation trop dense.

DÉCORER L'AQUARIUM ET Y AJOUTER DE L'EAU

- Rincer le gravier (vendu séparément) et tout objet décoratif (vendu séparément) à fond pour enlever tout débris avant de les ajouter dans l'aquarium.
- Étendre soigneusement le gravier au fond de l'aquarium en évitant qu'il touche les parois verticales. S'assurer qu'il y a suffisamment d'espace pour le module de filtration et d'éclairage, particulièrement sous le filtre, afin de prévenir toute obstruction (ill. A).
- Décorer l'aquarium en y mettant des plantes, des roches et d'autres ornements (vendus séparément).
- Remplir l'aquarium au ¾ d'eau à la température de la pièce.
- Mettre les doses requises de traitement de l'eau et de supplément biologique.

PRÉPARATION DU MODULE DE FILTRATION ET D'ÉCLAIRAGE À DEL

- Veiller à ce que le module ne soit pas branché.
- Enlever les cartouches de masses filtrantes du module, les rincer à l'eau douce, puis les remettre dans leur position initiale (ill. B).



- Placer le module de filtration et d'éclairage à DEL sur l'aquarium. S'assurer qu'il y a suffisamment d'espace en dessous du module pour qu'il y ait une bonne prise d'eau.
- Mettre en marche le filtre en branchant d'abord le cordon d'alimentation du module de filtration et d'éclairage au transformateur, puis en branchant ce dernier à la prise de courant. Par mesure de sécurité, s'assurer de créer une « boucle d'égouttement ».
- Déterminer le type d'éclairage, mode lumière vive du jour (1), mode éclairage nocturne bleu nuit (3), sinon mode arrêt (2), au moyen de l'interrupteur à 3 positions qui est situé sur le dessus du module de filtration et d'éclairage (iii C.).

2 - INTRODUCTION DES POISSONS DANS L'AQUARIUM

AJOUTER UN CHAUFFE-EAU

Transformer votre aquarium équipé en un aquarium tropical en intégrant un chauffe-eau Marina compact de 10 watts à l'espace prévu à cet effet derrière les masses filtrantes du module de filtration et d'éclairage (iii. D). *Vendu séparément.

NE PAS INTRODUIRE DE POISSONS IMMÉDIATEMENT.

- Attendre trois ou quatre jours avant d'introduire des poissons afin que la température de l'eau ait le temps de se stabiliser. Laisser le personnel de l'animalerie vous guider quant au choix de poissons. Utiliser, conformément aux indications données, le traitement de l'eau du robinet et le supplément biologique pour aquarium fournis.
- Acclimater les poissons avant de les introduire dans l'aquarium. Laisser tout simplement flotter le sac dans l'aquarium pour régler la température de l'eau dans le sac et réduire le risque de stress chez votre poisson. Il n'est pas recommandé de vider l'eau du sac dans l'aquarium.
- Après avoir intégré le gravier, le décor et la faune aquatique à l'aquarium, y ajouter de l'eau, mais en laissant au moins 2,5 cm (1 po) sans eau dans le haut de l'aquarium (iii. E).

ATTENTION : Ne pas déplacer l'aquarium Marina 360 après que celui-ci ait été rempli d'eau.

- Placer le couvercle sur le dessus de l'aquarium.

ALIMENTATION DES POISSONS

Une fois les poissons introduits dans l'aquarium, attendre 24 heures avant de les nourrir. Par la suite, il est essentiel de **NE PAS LES SURALIMENTER**. La règle générale consiste à leur servir, une fois par jour, seulement ce qu'ils peuvent consommer complètement en deux minutes.

3 - ENTRETIEN DE L'AQUARIUM

ATTENTION : TOUJOURS DÉBRANCHER TOUS LES APPAREILS À L'INTÉRIEUR DE L'AQUARIUM DE LA PRISE DE COURANT AVANT DE SE METTRE LES MAINS DANS L'EAU, D'INSÉRER OU DE RETIRER DES PIÈCES, ET AU MOMENT D'INSTALLER, D'ENTREtenir OU DE MANIPULER DE L'ÉQUIPEMENT RELIÉ AU FILTRE.

NE PAS se mettre les mains dans l'aquarium, ni y ajouter un quelconque ornement ou organisme aquatique, sans enlever au moins 25 % du volume d'eau parce que cela ferait déborder l'eau de l'aquarium et pourrait causer des dommages à l'aquarium ou à son support. **NE PAS UTILISER D'ÉQUIPEMENT AYANT ÉTÉ EN CONTACT AVEC DU SAVON.**

ENTRETIEN RÉGULIER

Chaque jour, retirer tout débris visible ou reste de nourriture. De plus, s'assurer que le filtre fonctionne bien. Chaque semaine, retirer 10 à 20 % de l'eau à l'aide d'un nettoyeur de gravier afin de garder l'aquarium propre et de réduire l'accumulation de nitrate et de déchets nuisibles. Remplacer l'eau enlevée par de l'eau du robinet de la même température que celle de l'aquarium, et ajouter les doses adéquates d'adoucisseur d'eau et de supplément biologique pour aquarium. **NOTE:** Ne jamais enlever plus de 20 % de l'eau de l'aquarium à aucun moment.

REPLACEMENT DES CARTOUCHES DE MASSES FILTRANTES

Pour de meilleurs résultats, remplacer une des cartouches filtrantes toutes les deux (2) à quatre (4) semaines. **NOTE:** Il est important de ne jamais remplacer toutes les cartouches au même moment afin de conserver une filtration biologique adéquate.

1. Éteindre le filtre et retirer la cartouche filtrante du compartiment 1 (iii. F), la rincer à fond à l'eau du robinet, puis la remettre dans le compartiment 2 (mettre l'autre cartouche dans le compartiment 1).

NETTOYAGE DU MOTEUR

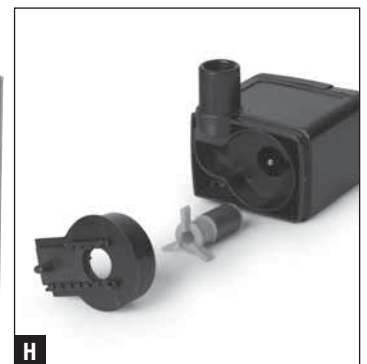
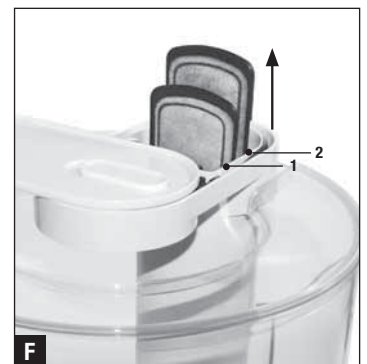
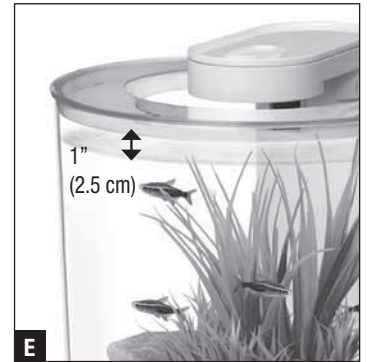
Pour de meilleurs résultats, nettoyer la couronne mobile et le puits de la couronne mobile tous les trois (3) à six (6) mois, ou advenant le cas où le filtre cesserait de fonctionner. Pour une performance optimale, remplacer la couronne chaque année. Retirer le moteur et inspecter la couronne devraient faire partie intégrante de l'entretien régulier du filtre. Garder la couronne propre réduit l'usure, prolonge sa durée de vie et celle du moteur.

1. Éteindre le filtre et retirer le tube du module de filtration et d'éclairage à DEL (iii. G).
2. Retirer le moteur en tirant doucement sur la languette qui le maintient en place (iii. H).
3. Rincer la couronne à l'eau et nettoyer toute accumulation de limon sur la couronne et dans le puits de la couronne avant de remettre les pièces en place. **Important : NE PAS** nettoyer avec des produits chimiques.
4. Utiliser une brosse de nettoyage Marina (art. 10683, vendu séparément) pour nettoyer le moteur.

NETTOYAGE DU MODULE DE FILTRATION ET D'ÉCLAIRAGE À DEL

Nettoyer tous les trois (3) à six (6) mois.

1. Éteindre le filtre et retirer le tube et les cartouches filtrantes. Essuyer l'appareil avec un linge humide.
2. Rincer l'intérieur du tube du filtre ou le laver avec une brosse de nettoyage Marina.



4 - DÉPANNAGE

Il ne faut pas que vous perdiez de vue qu'il y a maintenant un système biologique, et donc vivant, qui fait partie de votre vie. Et, comme pour les humains, les poissons doivent s'adapter à leur environnement, parfois même au froid, etc. Voici quelques conseils utiles susceptibles d'aider si les problèmes suivants surviennent.

EAU TROUBLE

Cela peut typiquement se produire au cours du démarrage initial comme résultat de l'équilibre biologique essayant de s'établir dans l'aquarium ou comme conséquence de la suralimentation. **Consulter la mesure recommandée « A ».**

POISSONS LÉTHARGIQUES

Ceci se produit souvent au début ou lorsque la qualité de l'eau est mauvaise. Lorsqu'il y a des taux élevés d'ammoniaque et de nitrite, les poissons tendent instinctivement à conserver leur énergie, en bougeant le moins possible, et à demeurer au fond de l'aquarium. Il leur est difficile de respirer quand les conditions de l'eau ne sont pas bonnes. **Consulter la mesure recommandée « A ».**

EAU MALODORANTE

Si des taux élevés d'ammoniaque, de nitrite et de nitrate viennent s'ajouter à de l'eau trouble, l'eau risque alors de sentir mauvais. **Consulter la mesure recommandée « A ».**

EAU VERTE

L'eau verdâtre est causée par la prolifération d'algues. Les algues sont des plantes qui requièrent de la lumière et des nutriments pour se développer. Afin de prévenir leur croissance, ne pas placer l'aquarium près d'une source de lumière, et s'assurer de fournir aux poissons une alimentation de haute qualité. Procéder à un changement d'eau de 25 % tous les quatre (4) jours. Réduire la quantité de nourriture; utiliser un aliment de haute qualité pour poissons; ajouter un supplément biologique et un traitement de l'eau du robinet à chaque changement d'eau. Si la situation ne se règle pas en moins de trois (3) semaines, il est possible que le problème à l'origine de l'eau verdâtre soit autre chose. **Consulter la mesure recommandée « B ».**

POISSONS TACHETÉS (MALADIE DES POINTS BLANCS)

Si les poissons semblent avoir des taches blanches ainsi qu'un comportement hors de l'ordinaire, c'est peut-être signe qu'ils sont malades. Consulter une animalerie où l'on recommandera le traitement approprié. **Consulter la mesure recommandée « B ».**

PIÈCES DE RECHANGE

- A13965 – Aquarium Marina 360 de rechange, 10 L
- A13966 – Couvercle Marina 360 de rechange, 10 L
- A13967 – Transformateur Marina 360 de rechange
- A13969 – Couronne Marina 360 de rechange
- A13968 – Module de filtration et d'éclairage à DEL Marina 360 de rechange
- 12859 – Cartouche Bio-Carb Marina 360 de rechange pour filtre Slim, paquet de 4

MESURE RECOMMANDÉE « A »

Effectuer un changement partiel d'eau (jusqu'à 25 % de l'eau) et ajouter une dose de traitement de l'eau du robinet et une dose du supplément biologique pour aquarium. Nourrir les poissons une fois tous les deux jours jusqu'à ce que des résultats positifs soient visibles. Si cela ne fonctionne pas, analyser l'eau (consulter la mesure recommandée « B ») pour déterminer la cause du problème et pour prendre les mesures nécessaires.



MESURE RECOMMANDÉE « B »

Dans l'incertitude de la cause du problème de l'aquarium, apporter un échantillon de l'eau d'aquarium et un échantillon de l'eau du robinet à l'animalerie pour une analyse qui déterminera la cause et guidera l'aquariophile à adopter une mesure appropriée. Par la suite, se procurer ses propres trousseaux d'analyses Nutrafin pour analyser l'eau au moment convenable.

GARANTIE LIMITÉE DE DEUX ANS

Votre aquarium Marina 360 est garanti contre tout défaut de matériaux et de fabrication pour une période de 2 ans à partir de la date d'achat. Cette garantie est valide accompagnée d'une preuve d'achat seulement. La garantie se limite à la réparation ou au remplacement de l'appareil seulement et ne s'applique pas aux pertes ni aux dommages indirects causés aux objets animés ou inanimés. Cette garantie est valide à condition que l'aquarium soit déposé sur une surface plate et de niveau qui peut résister au poids de l'aquarium lorsqu'il est rempli d'eau, de gravier et d'ornements. Ne pas soulever ni déplacer l'aquarium quand il contient de l'eau. Cette garantie exclut le bris de l'aquarium à la suite d'un mauvais usage, de fêlures et de fissures de contrainte causées par un support inadéquat ou tout autre bris. Cette garantie n'est pas valide si le filtre n'a pas été entretenu correctement. Cette garantie est valide seulement dans les conditions normales d'utilisation pour lesquelles l'appareil a été conçu. Elle exclut tout dommage résultant d'un usage inapproprié, d'une mauvaise installation, d'une modification ou d'un usage excessif. Cette garantie ne porte pas atteinte à vos droits prévus par la loi. Cette garantie ne couvre ni le couvercle de la couronne, ni la masse filtrante. S'il arrivait que vous deviez faire une réclamation sous cette garantie, vous aurez à fournir une preuve et une date d'achat. Nous vous recommandons de conserver votre reçu à cette fin.

POUR LE SERVICE DE RÉPARATION AUTORISÉ SOUS GARANTIE

Pour la réparation d'un article sous garantie, veuillez retourner l'article (bien emballé et par courrier recommandé) à l'adresse indiquée ci-dessous, accompagné d'un reçu daté et d'une note expliquant la raison du retour. Si vous avez un problème ou des questions au sujet du fonctionnement de cet appareil, veuillez nous permettre de vous aider avant de le retourner à votre détaillant. La plupart des problèmes peuvent être résolus rapidement par un appel téléphonique. Lorsque vous nous téléphonez (ou nous écrivez), s'il vous plaît ayez en main tous les renseignements pertinents tels que le numéro de modèle, l'âge du produit, les détails sur l'aménagement de l'aquarium ainsi que des précisions sur le problème.

CANADA : Industries Hagen Itée, 3235, rue Guénette, Montréal QC H4S 1N2

Numéro sans frais 1 800 55HAGEN (1 800 554-2436) entre 9 h et 16 h 30 (HNE). Demandez le Service à la clientèle.

FRANCE : Rolf C. Hagen (France) SA, Parisud 4, boulevard Jean Monnet, F-77388 Combs la Ville

Pour enregistrer votre garantie en ligne ou pour plus d'information visitez notre site Web www.hagen.com.

RECYCLAGE

Ce produit porte le marquage de la collecte sélective des déchets d'équipements électriques et électroniques (DEEE), ce qui signifie qu'on doit éliminer ce produit conformément à la directive européenne 2002/96/EC afin de le recycler ou de le désassembler pour minimiser ses répercussions sur l'environnement. Pour plus d'information, contactez les autorités locales ou régionales. Les produits électroniques non compris dans le processus de collecte sélective sont potentiellement dangereux pour l'environnement et la santé humaine en raison de la présence de substances dangereuses.



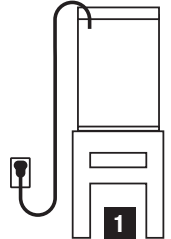
MEDIDAS DE SEGURIDAD IMPORTANTES

ADVERTENCIA – Para evitar lesiones, se deben tener en cuenta las precauciones básicas de seguridad, incluidas las que se detallan a continuación.

- 1. LEA Y CUMPLA CON TODAS LAS MEDIDAS DE SEGURIDAD** y las advertencias importantes que figuran en el aparato, antes de usarlo. De lo contrario, podría ocasionar la muerte de los peces o dañar el equipo.
- 2. PELIGRO** – Para evitar una posible descarga eléctrica, se debe tener especial cuidado, ya que se manipula agua al usar el equipo del acuario. En las situaciones que se describen a continuación, no intente hacer una reparación usted mismo; lleve el aparato a un centro autorizado que provea los servicios necesarios o deséchelo.
 - A.** Si el aparato presenta indicios de una pérdida irregular de agua, desenchúfelo inmediatamente de la fuente de alimentación.
 - B.** Inspeccione cuidadosamente el aparato una vez instalado. No se debe enchufar si hay agua en las piezas que no están diseñadas para estar mojadas. Si el aparato o una pieza de éste se caen al agua, **NO** los agarre. Desenchúfelo antes de retirar las piezas.
 - C.** No utilice ningún aparato que tenga un cable o un enchufe dañados, que no funcione correctamente o que se haya caído o dañado de alguna manera. El cable de este aparato no puede ser reemplazado. Si el cable está dañado, deberá desechar la unidad. Nunca corte el cable.
 - D.** El usuario debe utilizar un "lazo de goteo", que se muestra en la ilustración (III. 1), para cada cable que conecte un aparato del acuario al tomacorriente. El "lazo de goteo" es la parte del cable por debajo del nivel del receptáculo, o el conector si se usa un cable de extensión. De este modo, se evita que el agua pase por el cable y esté en contacto con el tomacorriente o con la fuente de alimentación. Si el enchufe o el tomacorriente se mojan, **NO** desenchufe el cable. Desconecte el fusible o interruptor que proporciona la alimentación al aparato y, a continuación, desenchufe y verifique si hay agua en el tomacorriente.
 - E.** Este aparato no debe ser usado por personas (incluidos los niños) que presenten discapacidades físicas, sensoriales o mentales significativas, a menos que sean supervisadas o hayan recibido instrucciones sobre el uso del aparato de parte de una persona responsable de su seguridad. Siempre se debe supervisar a los niños para impedir que jueguen con el aparato.
 - F.** Para evitar lesiones, no toque las piezas móviles ni calientes, como calentadores, reflectores, bombillas o piezas similares. La temperatura máxima de funcionamiento es de 35 °C.
 - G.** Siempre desenchufe el aparato del tomacorriente cuando no esté en funcionamiento, antes de agregar o quitar piezas, cambiar la bombilla y antes de limpiarlo. Nunca jale con fuerza del cable para quitar el enchufe de la fuente de alimentación del tomacorriente. Tome el enchufe de la fuente de alimentación y tire para desconectarlo. El uso de accesorios no recomendados o no vendidos por el fabricante del aparato puede crear condiciones de uso peligrosas. No use este aparato para ninguna otra función para la que no fue destinado.
 - H.** No instale ni guarde el aparato en lugares expuestos a la intemperie o a temperaturas bajo cero. **PARA USO DOMÉSTICO EN INTERIORES ÚNICAMENTE.**
 - I.** Asegúrese de que el aparato esté montado correctamente y de manera segura en el acuario antes de ponerlo en funcionamiento.
 - J.** Lea y tenga en cuenta todas las advertencias del aparato.
 - K.** Si es necesario usar un cable de extensión, procure que tenga el calibre adecuado. Un cable de extensión con un amperaje o vataje inferior al del aparato puede recalentarse. Se debe tener cuidado al colocar el cable para que nadie se tropiece con él ni lo desenchufe. **PRECAUCIÓN: Use únicamente el transformador proporcionado con este aparato para accionar el sistema de iluminación.**
- 3.** Para usar este producto y entender su funcionamiento completamente, se recomienda leer y comprender todo el manual. De lo contrario, este producto puede dañarse.
- 4. ADVERTENCIA** – para el mercado de Norteamérica únicamente: El transformador provisto con este aparato cuenta con clavijas polarizadas (una clavija es más ancha que las otras). Como función de seguridad, este transformador entrará por completo en el tomacorriente polarizado de una sola manera. Si no entra por completo, gírelo 180° y vuelva a introducirlo en el tomacorriente.

LIMPIEZA – Es importante mantener este aparato limpio. Desenchufe el aparato de la fuente de alimentación antes de limpiar la lámpara, la bomba o cualquier otra parte del acuario. Use ambas manos al manipular este aparato. Limpie cuidadosamente las superficies expuestas con un paño húmedo para eliminar los depósitos de suciedad o minerales que pueden formarse con el transcurso del tiempo. Procure que todas las superficies estén secas antes de volver a conectar el aparato a la fuente de alimentación.

SERVICIO DE MANTENIMIENTO – Para garantizar que las conexiones eléctricas y la polaridad sean las adecuadas, un electricista calificado deberá proporcionar las piezas de repuesto y el servicio de mantenimiento.



GUARDE ESTAS INSTRUCCIONES

1 - PREPARACIÓN DEL ACUARIO

NUNCA USE JABÓN NI DETERGENTES en ningún componente que coloque en su acuario.

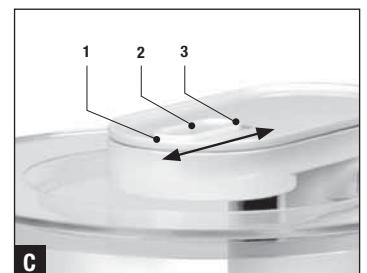
- Retire con cuidado todas las piezas del empaque y asegúrese de que no falta nada y que nada está dañado. Consulte la lista de componentes en la contracubierta.
- Enjuague minuciosamente el acuario y la tapa con agua dulce.
- Coloque el acuario sobre una superficie nivelada y sólida, lejos de cualquier equipo eléctrico, la exposición directa al sol, corrientes de aire, superficies calientes y áreas de mucho tráfico.

CÓMO DECORAR Y AGREGAR AGUA

- Enjuague la grava (se vende por separado) y los adornos (se venden por separado) para eliminar cualquier desecho antes de agregarlos a su acuario.
- Agregue y distribuya la grava en el acuario, pero evite que toque las paredes. Procure que haya suficiente espacio para el módulo de filtro/LED y que el espacio que está por debajo del módulo de filtro esté despejado para evitar que el filtro se obstruya (III. A).
- Decore el acuario con plantas, rocas y otros adornos (cada uno se vende por separado).
- Llene $\frac{3}{4}$ del acuario con agua a temperatura ambiente.
- Agregue las dosis correctas del acondicionador de agua y del suplemento biológico para acuarios.

CÓMO PREPARAR SU MÓDULO DE FILTRO/LED

- Procure que el aparato esté desenchufado.
- Quite los cartuchos filtrantes del módulo, enjuáguelos con agua dulce y vuelva a colocarlos en sus posiciones originales (III. B).



- Coloque el módulo de filtro/LED en el tanque del acuario. Procure que haya suficiente espacio debajo de él para que la entrada de agua sea la adecuada.
- Para accionar el filtro conecte el cable de alimentación del módulo de filtro/LED al transformador, y luego, enchufe este último al tomacorriente. Asegúrese de realizar "lazo de goteo" para más seguridad.
- Para configurar los modos de la iluminación LED alterne entre las posiciones de luz brillante diurna (1), apagado (2) y luz nocturna en azul profundo (3) mediante el interruptor selector que está en la parte superior del módulo de filtro **(iii. C.)**

2 - CÓMO INTRODUCIR LOS PECES

CÓMO AGREGAR UN CALENTADOR

Convierta este kit en un acuario tropical. Para ello, coloque este calentador compacto Marina* de 10 vatios en el espacio que existe detrás de los cartuchos filtrantes **(iii. D.)**. *Se vende por separado.

NO INTRODUZCA LOS PECES INMEDIATAMENTE.

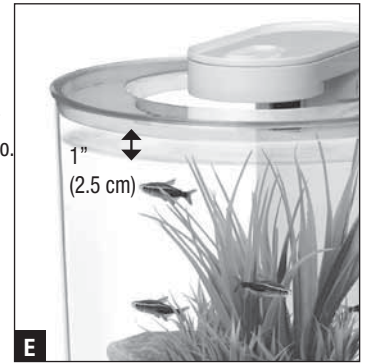
- Espere 3 o 4 días antes de colocar los peces en el acuario a fin de que la temperatura del agua se estabilice. Permita que el personal de la tienda de mascotas lo oriente en su selección de los peces. Use el suplemento biológico para acuarios y el acondicionador de agua proporcionados, según se indica.
- Aclimate a los peces antes de colocarlos en el acuario. Simplemente, deje flotar la bolsa que contiene los peces en el acuario para regular la temperatura del agua de la bolsa y así reducir el riesgo de estrés en los peces. No se recomienda verter el agua de la bolsa en el acuario.
- Una vez agregados la grava, los elementos decorativos y los habitantes, llene el acuario con agua, pero deje un margen de al menos 2,5 cm (1 pulg.) desde la parte superior del tanque **(iii. E.)**.

ATENCIÓN: No mueva el Marina 360 una vez lleno de agua.

- Coloque la tapa en la parte superior del acuario.

CÓMO ALIMENTAR A SUS PECES

Una vez que introdujo sus peces en el tanque, evite alimentarlos durante 24 horas. Desde ese momento en adelante, es esencial que **NO LOS SOBREALIMENTE**. Por regla general, se los debe alimentar una vez al día tanto como puedan comer en dos minutos.



3 - CUIDADO Y MANTENIMIENTO DEL ACUARIO

ADVERTENCIA: ANTES DE COLOCAR LAS MANOS EN EL AGUA O ANTES DE AGREGAR O QUITAR PIEZAS, Y TAMBIÉN MIENTRAS INSTALA, MANIPULA O HACE EL MANTENIMIENTO DEL EQUIPO DEL FILTRO, SIEMPRE DESCONECTE TODOS LOS APARATOS QUE ESTÁN DENTRO DEL ACUARIO.

NO coloque las manos ni los elementos decorativos en el acuario ni introduzca en él ningún habitante al acuario sin quitar al menos un 25 % del volumen de agua, ya que el desplazamiento derramará el agua del acuario, y podría ocasionar daños al aparato o a la superficie de soporte.

NO USE NADA DENTRO DEL ACUARIO QUE HAYA TENIDO CONTACTO CON JABÓN.

MANTENIMIENTO PERIÓDICO

Debe eliminar diariamente los desechos visibles y el alimento que no fue ingerido, y asegurarse de que el filtro funcione sin problemas. Debe retirar semanalmente un 10 % a 20 % del agua mediante un limpiador de grava para asegurar la limpieza y disminuir la acumulación de nitrato y desperdicios no deseados. Reemplace ese porcentaje con agua de grifo de una temperatura similar, y agregue las dosis correctas de acondicionador de agua y de suplemento biológico para acuarios. **NOTA:** Nunca cambie más del 20 % del agua de una vez.

CÓMO REEMPLAZAR LOS CARTUCHOS FILTRANTES

Para obtener mejores resultados, cambie el cartucho cada dos (2) o cuatro (4) semanas. **NOTA:** Es importante que no cambie todos los cartuchos al mismo tiempo, para garantizar una adecuada filtración biológica.

1. Desconecte la energía y quite el cartucho filtrante de la ranura 1 **(iii. F.)**, enjuáguelo minuciosamente con agua de grifo y colóquelo en la ranura 2 (mueva el otro cartucho a la ranura 1).

LIMPIEZA DEL MOTOR

Para obtener mejores resultados, limpie el impulsor y el recinto del impulsor cada tres (3) o seis (6) meses, o si el filtro deja de funcionar en algún momento. Reemplace el impulsor una vez al año para lograr un rendimiento óptimo. Se recomienda retirar el motor e inspeccionar el impulsor como parte del mantenimiento de rutina. Si mantiene la limpieza del impulsor, disminuirá el desgaste, y esta pieza y el motor durarán más tiempo.

1. Desconecte la energía y extraiga el tubo de filtro del módulo de filtro/LED **(iii. G.)**.
2. Quite la tapa de la entrada y luego la tapa del impulsor. Extraiga el impulsor de su recinto **(iii. H.)**.

3. Enjuague el impulsor con agua y lave las acumulaciones viscosas que se hayan formado en el impulsor y en su recinto, y vuelva a ensamblarlo.

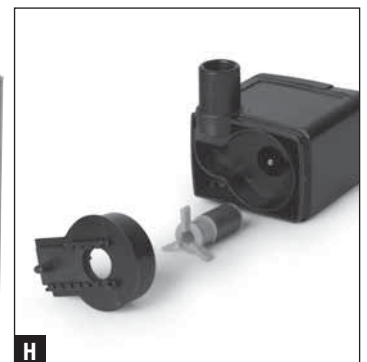
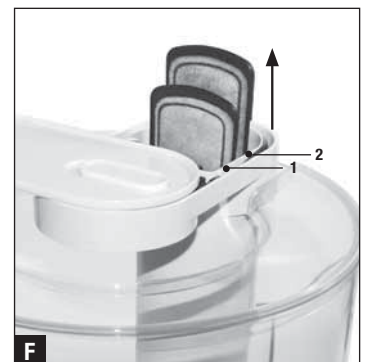
Importante: NO use limpiadores químicos

4. Use un cepillo de limpieza Marina (n.º 10683; se vende por separado) para limpiar el motor.

LIMPIEZA DEL FILTRO/LED

Límpielo cada tres (3) o seis (6) meses.

1. Desconecte la energía y quite el tubo de filtro y los cartuchos filtrantes. Limpie el equipo con un paño húmedo.
2. Enjuague el tubo del filtro o límpielo con un cepillo de limpieza Marina.



4 - LOCALIZACIÓN Y CORRECCIÓN DE PROBLEMAS

Considere que empezará a compartir su vida con otros seres vivos. Así como los seres humanos necesitamos adaptarnos al medio ambiente, lidiar con el frío, por ejemplo; también se necesita crear situaciones apropiadas en el acuario. A continuación se mencionan algunos problemas típicos y algunos consejos útiles que pueden ayudarlo.

TANQUE TURBIO

Esto puede ocurrir generalmente durante el montaje inicial como resultado del equilibrio biológico que se trata de establecer por sí mismo en el acuario o por sobrealimentación. **Vea las indicaciones del Plan de acción "A" recomendado.**

PECES ALETARGADOS

Esto ocurre a menudo durante el montaje inicial o cuando la calidad del agua es deficiente. Cuando hay niveles altos de amoníaco y nitritos, los peces tienden instintivamente a permanecer cerca del fondo para conservar su energía al moverse menos. Les resulta difícil respirar en condiciones de agua deficientes.

Vea las indicaciones del Plan de acción "A" recomendado.

AGUA MALOLIENTE

Cuando hay niveles altos de amoníaco, nitritos y nitratos, además de agua turbia, puede que haya mal olor.

Vea las indicaciones del Plan de acción "A" recomendado.

AGUA VERDE

El agua verde es causada por el crecimiento de algas. Las algas son plantas que necesitan luz y nutrientes para crecer. Para evitar su crecimiento, retire su tanque de la luz y asegúrese de que el alimento para peces que utiliza sea de buena calidad. Realice un cambio del 25 % del agua cada cuatro (4) días. Reduzca el alimento, utilice comida para peces de alta calidad y suplemento biológico para acuarios y acondicionador de agua para peceras con cada cambio de agua. Si la situación no mejora en tres (3) semanas, es posible que el agua verde se deba a otra razón.

Vea las indicaciones del Plan de acción "B" recomendado.

PECES CON MANCHAS (ENFERMEDAD DE ICH)

Si nota manchas blancas en sus peces y un comportamiento extraño, esto podría indicar que sus peces están enfermos. Consulte en la tienda de mascotas para que puedan recomendarle algún remedio apropiado.

Vea las indicaciones del Plan de acción "B" recomendado.

PIEZAS DE REPUESTO

A13965 – Tanque de repuesto de 10 l Marina 360

A13966 – Tapa de repuesto de 10 l Marina 360

A13967 – Transformador de repuesto Marina 360

A13969 – Impulsor de repuesto Marina 360

A13968 – Filtro/Luz LED de repuesto Marina 360

12859 – Cartucho Bio-Carb para filtro Slim Marina 360, paquete de 4

PLAN DE ACCIÓN "A" RECOMENDADO

Realice un cambio de agua parcial (hasta el 25 %), añada una dosis del acondicionador de agua y una del suplemento biológico para acuarios. Reduzca la alimentación a una vez cada dos días hasta que vea resultados positivos. Si esto no funciona, examine el agua (consulte las indicaciones del Plan de acción "B" recomendado) para determinar la causa y escoger una acción apropiada.



PLAN DE ACCIÓN "B" RECOMENDADO

Si no está seguro de por qué tiene un problema con su acuario, lleve una muestra del agua del acuario como también del agua del grifo a su tienda de mascotas local para que le realicen las pruebas y determinen la causa a fin de poder orientarlo en la elección de un plan de acción apropiado. De ahí en más, usted puede obtener sus kits para test de Nutrafin para realizar las pruebas de agua que estime necesarias.

GARANTÍA LIMITADA DE DOS AÑOS

Su acuario Marina 360 tiene una garantía por defectos en el material o en la mano de obra por un período de dos años a partir de la fecha de compra. Esta garantía tiene validez únicamente si se presenta un comprobante de compra. La garantía se limita únicamente a la reparación o al reemplazo del aparato y no cubre pérdidas ni daños resultantes de los objetos animados o inanimados. Esta garantía es válida siempre y cuando el acuario se coloque en una superficie plana y nivelada que pueda resistir el peso del acuario cuando esté lleno de agua, grava y adornos. No levante ni mueva el acuario cuando esté lleno. Esta garantía excluye la rotura del acuario provocada por el uso indebido, astillamiento, grietas por tensión causadas por un soporte inadecuado, o cualquier otra rotura. Esta garantía no tiene validez si el filtro no se mantuvo correctamente. Esta garantía sólo es válida en condiciones normales de funcionamiento para las cuales el aparato está destinado. La garantía excluye todos los daños causados por uso irrazonable, instalación inadecuada, maltrato o abuso del aparato. Esta garantía no afecta sus derechos establecidos por ley. Esta garantía no cubre el desgaste del impulsor ni los medios filtrantes. Si en algún momento futuro tiene fundamentos para realizar un reclamo con esta garantía, deberá presentar una prueba y la fecha de compra. Le recomendamos que guarde el recibo de la compra para este propósito.

PARA OBTENER EL SERVICIO DE REPARACIÓN AUTORIZADO CON GARANTÍA:

EE. UU.: Rolf C. Hagen (U.S.A.) Corp., 305 Forbes Blvd, Mansfield, MA. 02048

España: Rolf C Hagen España S.A, Avda. De Beniparrell, 11 y 13 - P.I. L'Alteró, 46460 Silla Valencia

Si tiene algún inconveniente o preguntas acerca del funcionamiento de este producto, permítanos ayudarlo antes de devolverlo a su distribuidor. La mayoría de los problemas puede resolverse inmediatamente mediante una llamada sin cargo. O, si lo prefiere, puede comunicarse con nosotros a través de nuestro sitio web en: www.hagen.com.

LLÁMENOS A NUESTRO NÚMERO SIN CARGO AL:

Sólo para EE. UU.: 1-800-724-2436, entre las 9:00 a.m. y las 4:00 p.m.

España: 961 200 945

Para registrar su garantía o para obtener más información, visite: www.hagen.com.

RECICLAJE

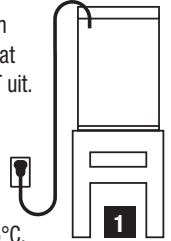
Este artículo lleva el símbolo de clasificación selectiva para residuos de aparatos electrónicos y eléctricos (WEEE). Esto significa que el producto debe manipularse según la Directiva Europea 2002/96/EC para ser reciclado o desmantelado para disminuir el impacto ambiental. Para obtener más información, póngase en contacto con las autoridades locales o regionales. Los productos electrónicos que no son parte de este proceso selectivo son considerados potencialmente riesgosos para la salud humana y el medio ambiente debido a la presencia de sustancias peligrosas.



BELANGRIJKE VEILIGHEIDSVOORSCHRIFTEN

WAARSCHUWING - Om verwondingen te vermijden, dient u de volgende veiligheidsvoorschriften in acht te nemen:

- LEES EN VOLG ALLE VEILIGHEIDSinSTRUCTIES** en alle belangrijke waarschuwingen op het toestel vóór het gebruik ervan. Anders kan dit het leven van de vissen in gevaar brengen en/of schade toebrengen aan het toestel.
- GEVAAR** – Om mogelijke elektrische schokken te vermijden, dient u speciale voorzorgen te nemen, aangezien u bij het gebruik van aquariumuitrusting in contact komt met water. In elk van de onderstaande situaties mag u zelf niet overgaan tot de herstelling, maar dient u het toestel terug te zenden naar een erkend dienstverlenend bedrijf voor onderhoud, of het weg te gooien.
 - Als het toestel tekenen van abnormale waterlekkage vertoont, dient u onmiddellijk de stroomkabel uit te trekken.
 - Controleer het toestel zorgvuldig na de installatie. Het mag niet worden ingeschakeld als er water aanwezig is op delen die niet nat mogen zijn. Als het toestel of een onderdeel ervan in het water valt, grijp er dan **NIET** naar! Trek eerst de stekker uit en haal het dan uit het water.
 - Gebruik geen enkel toestel wanneer de kabel of stekker beschadigd is, als het slecht werkt of op eender welke manier gevallen of beschadigd is. De stroomkabel van dit toestel kan niet worden vervangen. Indien de kabel beschadigd is, moet het toestel worden weggegooid. Snij nooit in de kabel.
 - De gebruiker moet er steeds op toezien dat elke kabel van een aquariumtoestel in de vorm van een “druppellus”, getoond in illustratie (III. 1), wordt aangesloten op het stopcontact. De “druppellus” is het deel van de kabel onder het stopcontact, of het verbindingsstuk als een verlengkabel wordt gebruikt. Dit verhindert dat water langs de kabel loopt en in aanraking komt met het stopcontact of de voedingsbron. Als de stekker of het stopcontact nat wordt, trek de stekker dan **NIET** uit. Ontkoppel de zekering of stroomonderbreker die stroom levert aan het toestel, trek vervolgens de stekker uit en kijk of er geen water in het stopcontact zit.
 - Dit toestel is niet geschikt om gebruikt te worden door personen (met inbegrip van kinderen) met sterk verminderde fysieke of mentale capaciteiten, tenzij zij in de gaten worden gehouden door of instructies over de gebruikswijze van het toestel hebben gekregen van iemand die instaat voor hun veiligheid. Kinderen moeten steeds in de gaten worden gehouden, om er zeker van te zijn dat ze niet met het toestel spelen.
 - Om verwondingen te vermijden, raak geen bewegende of warme onderdelen aan, zoals verwarmers, reflectoren, lampen en dergelijke. Max. werktemperatuur 35°C.
 - Trek de stekker van het toestel altijd uit het stopcontact wanneer het niet gebruikt wordt, vóór het aanbrengen of verwijderen van onderdelen, het vervangen van een lamp en vóór het schoonmaken. Ruk de kabel nooit los om de stekker uit het stopcontact te trekken. Hou de stekker vast en trek om hem uit het stopcontact te verwijderen. Het gebruik van accessoires die niet worden aanbevolen of verkocht door de fabrikant van het toestel, kan tot een onveilige situatie leiden. Gebruik dit toestel niet voor andere doeleinden dan waarvoor het bedoeld is.
 - Dinstalleer of bewaar het toestel niet op plaatsen waar het wordt blootgesteld aan vriesweer of –temperaturen. **DIT TOESTEL MAG ENKEL BINNEN WORDEN GEBRUIKT.**
 - Zorg dat het toestel juist gemonteerd is en goed aan het aquarium is vastgemaakt alvorens het te laten werken.
 - Lees en houd u aan alle belangrijke waarschuwingen op het toestel.
 - Als een verlengkabel nodig is, moet die een correct vermogen hebben. Een verlengkabel met minder ampère of watt dan het vermogen van het toestel kan oververhit geraken. Zorg ervoor dat de kabel op zo'n manier wordt gelegd dat men er niet over kan vallen of aan kan trekken. **LET OP: Gebruik alleen de meegeleverde transformator om het verlichtingssysteem te laten werken.**



- Voor een optimaal gebruik van en inzicht in dit product wordt aanbevolen om deze handleiding aandachtig te lezen en te begrijpen. Anders kan dit product schade oplopen.

REINIGING – Het is belangrijk om dit toestel schoon te houden. Schakel de stroom uit alvorens de lamp, de pomp of andere delen van het aquarium te reinigen. Gebruik beide handen wanneer u met dit toestel omgaat. Wrijf voorzichtig met een vochtige doek over blootliggende oppervlakken om vuil of minerale afzettingen die zich mettertijd kunnen ophopen, te verwijderen. Zorg dat alle oppervlakken droog zijn alvorens het toestel terug aan te sluiten op de stroombron.

ONDERHOUD – Om te garanderen dat de elektrische aansluitingen en polariteit altijd juist zijn, mogen vervang-, reparatie- en onderhoudswerken enkel door een geschoolde elektricien worden uitgevoerd.

BEWAAR DEZE INSTRUCTIES

1 - KLAARMAKEN VAN UW AQUARIUM

GEBRUIK NOOIT ZEEP OF DETERGENTEN op onderdelen die in uw aquarium zijn geplaatst.

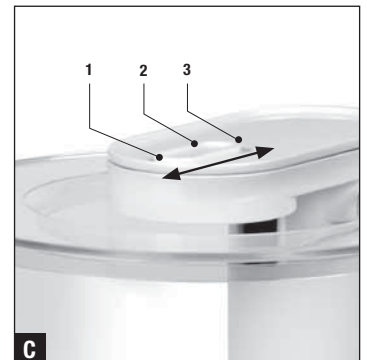
- Haal voorzichtig alle onderdelen uit de verpakking en kijk of er niets ontbreekt of beschadigd is. Raadpleeg de onderdelenlijst op het binnendecksel.
- Spoel het aquarium en het deksel grondig met vers water.
- Plaats het aquarium op een effen, stevig oppervlak, uit de buurt van elektrische toestellen, rechtstreeks zonlicht, warmtebronnen of plaatsen waar veel mensen langskomen.

INRICHTEN EN WATER TOEVOEGEN

- Spoel eerst de kiezels (apart verkocht) en versieringen (apart verkocht) om er het puin uit te halen.
- Voeg de kiezels voorzichtig toe en verdeel ze over het aquarium, zonder dat ze de wanden raken. Zorg dat er genoeg plaats is voor de filter-/LED-module en dat de ruimte onder de filtermodule vrij is, zodat de filter niet verstopt raakt (**III. A**).
- Richt het aquarium in met planten, stenen en andere versieringen (elk apart verkocht).
- Vul het aquarium voor $\frac{3}{4}$ met water op kamertemperatuur.
- Voeg de juiste doses waterbehandelaar en biologische aquariaanvulling toe.

KLAARMAKEN VAN UW FILTER-/LED-MODULE

- Zorg dat de stekker van de eenheid uitgetrokken is.
- Haal de filterpatronen uit de module, spoel met vers water en plaats ze terug in de oorspronkelijke posities (**III. B**).
- Plaats de filter-/LED-module op het aquarium. Zorg dat er onder de module genoeg plaats is voor de watertoevoer.
- Start de filter door de voedingskabel van de filter-/LED-verlichtingsmodule aan te sluiten op de transformator, en vervolgens de stekker van de transformator in het stopcontact te steken. Maak een “druppellus” voor de veiligheid.
- Stel de LED-verlichting in op Bright Daytime White (1), OFF (2) of Deep Blue Nighttime (3) met de keuzeschakelaar bovenop de filtermodule (**III C**).



2 - TOEVOEGEN VAN VISSEN

VOEG EEN VERWARMER TOE

Verander uw toestel in een tropisch aquarium door deze Marina compacte verw warmer* van 10 watt in de daartoe bestemde ruimte achter de filterpatronen te plaatsen (iii. D). *Apart verkocht.

VOEG NIET ONMIDDELIJK VISSEN TOE.

- Wacht 3-4 dagen, zodat de watertemperatuur stabiel kan worden. Vraag voor het kiezen van de vissen advies aan de medewerkers van de dierenwinkel. Gebruik de meegeleverde biologische aquariumaanvulling en de waterbehandelaar volgens de richtlijnen.
- Doe de vissen wennen alvorens ze aan het aquarium toe te voegen. Laat gewoon de zak met de vissen in het aquarium drijven, om de watertemperatuur in de zak te regelen en het risico te verkleinen dat uw vissen gestresseerd geraken. Het is niet aangeraden om het water van de zak in uw aquarium te gieten.
- Als de kiezels, versieringen en aquariumbewoners zijn toegevoegd, vul het aquarium dan verder aan met water en zorg dat het zeker 2,5 cm (1 inch) van de bovenrand blijft (iii. E).

LET OP: Beweeg de Marina 360 niet zodra hij gevuld is met water.

- Leg het deksel boven op het aquarium.

UW VISSEN VOEDEREN

Als u de vissen aan het aquarium heeft toegevoegd, mag u ze 24 uur niet voederen. Daarna is het van essentieel belang **OM UW VISSEN NIET OVERMATIG TE VOEDEREN**. De vuistregel is om ze maar zo veel eten te geven als ze één keer per dag in twee minuten opkrijgen.

3 - AQUARIUMONDERHOUD

WAARSCHUWING: ONTROPPEL DE TOESTELLEN IN HET AQUARIUM ALTIJD VAN HET STROOMNET VÓÓR U UW HANDEN IN HET WATER STEEKT, VÓÓR HET AANBRENGEN OF VERWIJDEREN VAN ONDERDELEN, EN TIJDENS DE INSTALLATIE, HET ONDERHOUD OF DE BEDIENING VAN DE FILTER.

Breng uw handen, de versieringen of aquariumbewoners **NIET** in het aquarium zonder eerst ten minste 25% van het watervolume weg te gieten, vermits door de waterverplaatsing het aquarium zal overlopen en de eenheid of het steunvlak daardoor schade kan oplopen.

GEbruik OF PLAATS NIETS IN HET AQUARIUM DAT IN AANRAKING IS GEKOMEN MET ZEEP

REGELMATIG ONDERHOUD

Verwijder op dagelijkse basis zichtbaar puin of niet gegeten visvoer, en zorg dat de filter vlot werkt. Verwijder wekelijks 10-20% van het water met een kiezelreiniger, om het water schoon te houden en de ophoping van ongewenste nitraten en afvalstoffen te verminderen. Ververs het met leidingwater van dezelfde temperatuur, en voeg de juiste doses waterbehandelaar en biologische aquariumaanvulling toe. **OPMERKING:** ververs nooit meer dan 20% van het water.

VERVANGING VAN FILTERPATRONEN

U vervangt een patroon het best om de twee (2) tot vier (4) weken. **OPMERKING:** Vervang niet alle patronen tegelijk, om de biologische filtratie goed te laten werken.

1. Schakel de stroom uit en haal de filterpatroon uit gleuf 1 (iii. F), spoel ze grondig met leidingwater en plaats ze terug in gleuf 2 (verplaats de andere patroon naar gleuf 1).

REINIGING VAN DE MOTOR

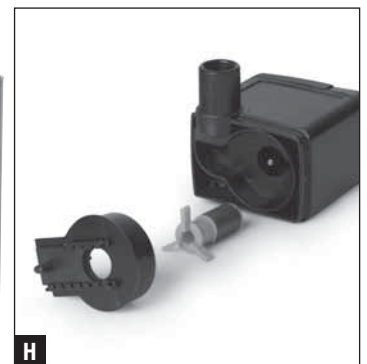
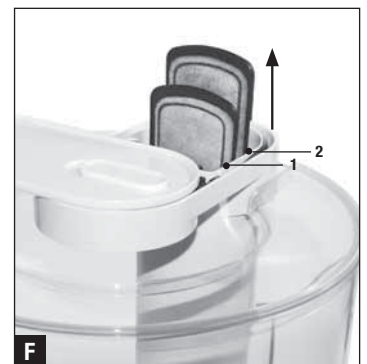
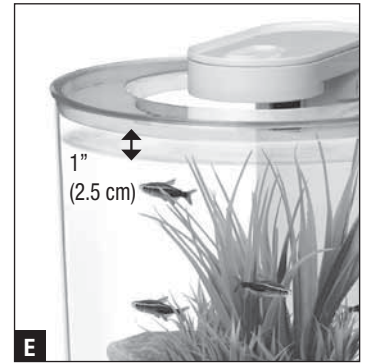
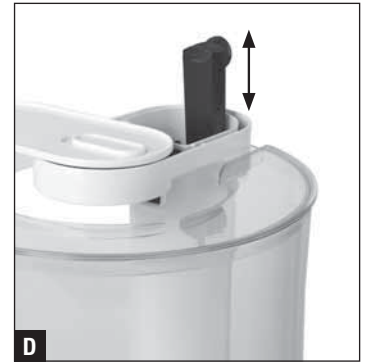
U reinigt de aandrijver en de aandrijverschacht het best om de drie (3) tot zes (6) maanden of als de filter niet meer werkt. Vervang de aandrijver jaarlijks voor de best mogelijke prestaties. Het is aanbevolen om de motor te verwijderen en de aandrijver te controleren tijdens het vaste onderhoud. Door de aandrijver schoon te houden, zal hij minder gauw verslijten en verlengt u zijn levensduur én die van de motor.

1. Schakel de stroom uit en trek de filterbuis uit de filter-/LED-module (iii. G).
2. Verwijder het inlaatdeksel en vervolgens dat van de aandrijver. Trek de aandrijver uit de schacht (iii. H).
3. Spoel de aandrijver onder water, verwijder slijm en slib dat zich op de aandrijver en in de aandrijverschacht heeft opgehoopt, en steek de onderdelen terug ineen. **Belangrijk: gebruik GEEN** chemische reinigers.
4. Gebruik een Marina reinigingsborstel (#10683-apart verkocht) voor het reinigen van de motor.

REINIGING VAN DE FILTER-/LED-EENHEID

Reinig om de drie (3) tot zes (6) maanden.

1. Schakel de stroom uit en verwijder de filterbuis en filterpatronen. Wrijf de eenheid schoon met een vochtige doek.
2. Spoel de filterbuis of reinig ze met een Marina reinigingsborstel.



4 - OPLOSSEN VAN PROBLEMEN

Hou er rekening mee dat u te maken heeft met levende wezens. Net als bij mensen moeten wij ze doen wennen aan onze omgeving, leren omgaan met de koude, enz. Hierna beschrijven wij enkele vaak voorkomende problemen en geven wij enkele nuttige tips om ze op te lossen.

TROEBEL WATER

Dit kan gebeuren tijdens de eerste opstelling, doordat in het aquarium langzaam een biologisch evenwicht ontstaat, of door overmatig voederen. **Zie Aanbevolen handeling 'A'.**

LUSTELOZE VISSEN

Dit gebeurt vaak tijdens de eerste opstelling, of op andere ogenblikken als de waterkwaliteit te wensen overlaat. Wanneer het water veel ammoniak en nitrieten bevat, zullen de vissen instinctief dichter bij de bodem blijven en hun energie sparen door minder te bewegen. In water van slechte kwaliteit kunnen ze moeilijk ademen. **Zie Aanbevolen handeling 'A'.**

STINKEND WATER

Wanneer het water veel ammoniak, nitrieten en nitraten bevat, en ook troebel is, kan het stinken. **Zie Aanbevolen handeling 'A'.**

GROEN WATER

Groen water wordt veroorzaakt door de groei van algen. Dit is een plant die licht en voedingsstoffen nodig heeft om te groeien. Om dit te beletten, dient u uw aquarium uit het licht te halen en uw vissen te voederen met voer van hoge kwaliteit. Ververs het water voor 25% om de vier (4) dagen. Voeder minder vaak, gebruik visvoer van hoge kwaliteit, en doseer met biologische aquariumaanvulling en met waterbehandelaar telkens als u het water ververs. Als het probleem binnen drie (3) weken niet vanzelf is opgelost, ziet het water misschien groen om een andere reden. **Zie Aanbevolen handeling 'B'.**

VISSEN MET VLEKKEN

Als u merkt dat uw vissen witte vlekken hebben, en zich abnormaal gedragen, kan dat erop wijzen dat ze ziek zijn. Wend u tot uw dierenwinkel: zij kunnen u een gepaste remedie aanraden. **Zie Aanbevolen handeling 'B'.**

VERVANGSTUKKEN

- A13965 – Marina 360 10 L vervangaquarium
- A13966 – Marina 360 vervangdeksel
- A13967 – Marina 360 vervangtransformator
- A13969 – Marina 360 vervangaandrijver
- A13968 – Marina 360 vervangfilter-/LED-verlichting
- 12859 – Marina 360 vervangfilter Bio-Carb patroon, 4-pack

TWEEJARIGE WAARBORG

Uw Marina 360 aquarium is gewaarborgd tegen materiaal- of productiefouten gedurende een periode van twee jaar vanaf de aankoopdatum. Deze waarborg is alleen geldig met het aankoopbewijs. De waarborg is beperkt tot het herstellen of vervangen van de eenheid en dekt geen onrechtstreeks verlies of schade aan levende of levenloze voorwerpen. Deze waarborg is geldig op voorwaarde dat het aquarium op een vlak en effen oppervlak is geplaatst, dat het gewicht van het aquarium kan dragen wanneer het is gevuld met water, kiezel en versieringen. Beweeg of hef het aquarium niet op wanneer het water bevat. Het breken van het aquarium door verkeerd gebruik, schilfers, barsten als gevolg van verkeerde ondersteuning of andere breuken vallen buiten deze waarborg. Deze waarborg is niet geldig als de filter niet correct onderhouden werd. Deze waarborg is alleen geldig wanneer de eenheid werkt in de normale omstandigheden waarvoor ze bedoeld is. Schade als gevolg van ondoordacht gebruik, verkeerde installatie, schokken of verkeerd gebruik van de eenheid valt buiten de waarborg. Deze waarborg heeft geen effect op uw statutaire rechten. Deze waarborg dekt geen slijtage van de aandrijver of filters. Indien u in de toekomst reden heeft om deze waarborg in te roepen, dient u het aankoopbewijs voor te leggen en de datum van aankoop mee te delen. Wij raden dan ook aan dat u daarvoor uw ontvangstbewijs bijhoudt.

VOOR DE TOEGESTANE HERSTELDIENST ONDER GARANTIE:

Gelieve de luchtpomp (goed verpakt en bij aangetekend schrijven) terug te sturen naar het onderstaande adres, samen met een gedateerd ontvangstbewijs en de reden voor het terugsturen. Als u een probleem of vragen heeft over de werking van dit apparaat, wend u dan eerst tot ons alvorens het product terug te brengen naar de verkoper. De meeste problemen kunnen snel worden opgelost via een telefoongesprek. Als u ons belt (of schrijft), gelieve dan alle nodige inlichtingen te verstrekken, zoals het nummer van het model, de ouderdom van het product, de details over het aquarium en de aard van het probleem.

Rolf C Hagen (Frankrijk) SA, Parisud 4, Boulevard Jean Monnet, F-77388 Combs la ville.

HAGEN Deutschland GmbH & Co. KG, Lehmweg 99 – 105 25488 Holm

Meer informatie over onze producten vindt u op onze website: www.hagen.com.

RECYCLING

Das bedeutet, dass diese Produkte gemäß der europäischen Richtlinie 2002/96/EC recycled oder demontiert werden müssen, um Umweltschäden zu minimieren. Wenden Sie sich für weitere Informationen an die zuständigen Behörden. Elektronische Produkte, die nicht der Abfalltrennung unterzogen werden, sind potenziell gefährlich für die Umwelt und für die menschliche Gesundheit, da sie gefährliche Substanzen enthalten können.

AANBEVOLEN HANDELING A

Ververs het water gedeeltelijk (tot 25%) en voeg een dosis waterbehandelaar en een dosis biologische aquariumaanvulling toe. Voeder de vissen nog maar één keer om de twee dagen tot u verbetering ziet. Als dat geen resultaat oplevert, test dan uw water (zie Aanbevolen handeling 'B') om de oorzaak te achterhalen, en kies een gepaste oplossing.



AANBEVOLEN HANDELING B

Als u niet goed weet waarom u een probleem heeft met uw aquarium, breng dan een staal van het aquariumwater en van het leidingwater naar uw dierenwinkel, zodat zij het kunnen testen om de oorzaak te bepalen en u een gepaste oplossing voor te stellen. Daarna kunt u uw eigen Nutrafin Testkits krijgen om het water te testen wanneer u dat nodig acht.



INSTRUÇÕES IMPORTANTES DE SEGURANÇA

AVISO - Para evitar ferimentos, deve seguir as precauções básicas de segurança, incluindo as seguintes:

- LEIA E SIGA TODAS AS INSTRUÇÕES DE SEGURANÇA** e todas as advertências importantes antes de utilizar o equipamento. Se não seguir estas advertências, poderá resultar na morte de peixes e/ou danificar este equipamento.
 - PERIGO** – Para evitar possíveis choques eléctricos, deve ter cuidados especiais, uma vez que é utilizada água na utilização do equipamento de aquário. Não tente efectuar reparações para cada uma das seguintes situações; devolva o equipamento ao representante de manutenção autorizado ou elimine o equipamento.
 - Se o equipamento apresentar qualquer sinal de fugas de água anormais, desligue-o imediatamente da fonte de alimentação.
 - Examine o equipamento com cuidado após a instalação. Este não deve ser ligado à tomada se existir água nas peças que não podem ficar molhadas. Se o equipamento ou qualquer peça do mesmo cair na água, **NÃO** tente agarrá-lo. Primeiro, desligue a alimentação da unidade antes de pegar na mesma.
 - Não utilize o equipamento se este tiver uma ficha ou um cabo danificados, se funcionar de forma errada, se o deixar cair ou se estiver danificado de alguma forma. O cabo de alimentação deste equipamento não pode ser substituído. Se o cabo de alimentação estiver danificado, o equipamento deve ser eliminado. Nunca corte o cabo de alimentação.
 - O utilizador deve colocar uma “alça de gotejamento”, apresentada na ilustração (ilust. 1), para todos os cabos que ligam um equipamento de aquário a uma tomada. A “alça de gotejamento” consiste na parte do cabo abaixo do nível da tomada ou da ficha, se estiver a ser utilizada uma extensão. Tal evita que a água percorra o cabo e entre na tomada ou fonte de alimentação. Se a ficha ou a tomada ficar molhada, **NÃO** retire o cabo da tomada. Retire o fusível ou o disjuntor que fornece energia ao equipamento e, de seguida, retire a ficha da tomada e procure vestígios de água na tomada.
 - Este equipamento não deve ser utilizado por pessoas (incluindo crianças) com capacidades físicas e mentais diminuídas de forma significativa, excepto sob supervisão ou caso tenham recebido instruções de utilização do equipamento por alguém responsável pela sua segurança. As crianças devem ser sempre supervisionadas para garantir que não brincam com o equipamento.
 - Para evitar ferimentos, não coloque objectos móveis ou quentes junto ao equipamento, tais como aquecedores, reflectores, lâmpadas, etc. Temperatura máx. de funcionamento de 35 °C.
 - Desligue sempre o equipamento da tomada quando não estiver a ser utilizado, antes de instalar ou retirar peças, trocar de lâmpada e antes de limpar. Nunca puxe um cabo com força para retirar a ficha da tomada. Agarre a ficha e puxe-a para retirá-la da tomada. A utilização de acessórios não recomendados ou vendidos pelo fabricante do equipamento pode provocar uma situação de insegurança. Não utilize este equipamento com outra finalidade para além daquela a que foi destinada.
 - Não instale nem guarde o equipamento em locais expostos a más condições atmosféricas ou a temperaturas abaixo dos 0 °C. **APENAS PARA UTILIZAÇÃO DENTRO DE CASA.**
 - Certifique-se de que o equipamento é montado de forma correcta e que está posicionado de forma segura no aquário antes de utilizar o equipamento.
 - Consulte e cumpra todas as advertências importantes acerca do equipamento.
 - Se for necessária a utilização de uma extensão, deve ser utilizado um cabo de extensão com uma capacidade eléctrica adequada. Um cabo de extensão com capacidade de amperes ou watts inferior à do equipamento pode sobreaquecer. Deverá ter cuidado ao colocar o cabo, de forma que ninguém o puxe ou tropece sobre o mesmo.**
- ATENÇÃO: Utilize apenas o transformador fornecido com esta unidade para alimentar o sistema de iluminação.**
- Para uma utilização e compreensão total deste produto, recomenda-se que leia e compreenda na totalidade este manual. Se não seguir estas advertências, poderá danificar o produto.
 - AVISO** – Apenas para o mercado norte-americano: O transformador fornecido com este equipamento possui lâminas da tomada polarizada (uma lâmina é maior do que a outra). Como medida de segurança, este transformador apenas poderá ser introduzido de uma única forma numa tomada polarizada. Se o transformador não encaixar completamente na tomada, gire-o 180° e coloque novamente na tomada.



LIMPEZA – É importante manter este equipamento limpo. Desligue a fonte de alimentação antes de limpar a lâmpada, a bomba ou qualquer outra parte do aquário. Use as duas mãos quando manejar este equipamento. Limpe as superfícies expostas cuidadosamente com um pano húmido para retirar quaisquer resíduos de poeira ou minerais que possam acumular-se ao longo do tempo. Certifique-se de que todas as superfícies estão secas antes de voltar a ligar o equipamento à fonte de alimentação.

MANUTENÇÃO – Para garantir polaridade e ligações eléctricas correctas, a manutenção e a substituição de peças deverão ser realizadas apenas por um electricista qualificado.

GUARDE ESTAS INSTRUÇÕES

1 - PREPARAR O SEU AQUÁRIO

NUNCA UTILIZE SABÃO NEM DETERGENTES em qualquer componente colocado no seu aquário.

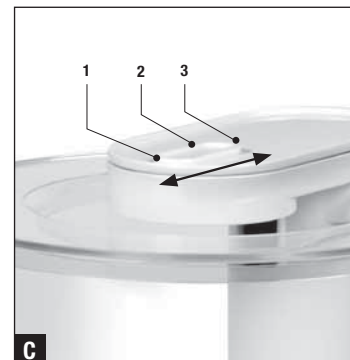
- Retire cuidadosamente todos os componentes da embalagem e certifique-se de que não há nada em falta e que estes não estão danificados. Consulte a lista de componentes na guarda da capa.
- Lave completamente o aquário e a tampa com água limpa.
- Coloque o aquário sobre uma superfície robusta e nivelada, afastado de qualquer equipamento eléctrico, luz directa do sol, correntes de ar, fontes de calor ou áreas de muito trânsito.

DECORAR E ADICIONAR ÁGUA

- Lave a gravilha (vendida em separado) e os acessórios decorativos (vendidos em separado) para retirar quaisquer detritos antes de colocar no seu aquário.
- Coloque e distribua cuidadosamente a gravilha no aquário evitando as paredes. Certifique-se de que existe espaço suficiente para o módulo de filtro/LED e que o espaço sob o módulo de filtro está desimpedido para evitar a obstrução do filtro (**iii. A**).
- Decore com plantas, pedras e outros acessórios decorativos (cada um vendido em separado).
- Encha $\frac{3}{4}$ do aquário com água à temperatura ambiente.
- Adicione doses correctas de condicionador de água e suplemento biológico para aquários.

PREPARAR O SEU MÓDULO DE FILTRO/LED

- Certifique-se de que a unidade está desligada da tomada.
- Retire os cartuchos filtrantes do módulo, lave com água limpa e volte a colocar nas posições originais (**iii. B**).
- Coloque o módulo de filtro/LED no tanque do aquário. Certifique-se de que existe espaço suficiente por baixo deste para uma entrada correcta da água.
- Inicie o filtro ligando o cabo de alimentação do módulo de filtro/luz de LED ao transformador e ligando em seguida o transformador à tomada eléctrica. Certifique-se de que cria uma “alça de gotejamento” para segurança.
- Defina os modos de iluminação por LED mudando entre as posições Dia – Branco brilhante (1), DESLIGADO (2) e Noite – Azul profundo (3) o interruptor selector no topo do módulo de filtro (**iii C.**).



2 - INTRODUIZIR PEIXES

ADICIONAR UM AQUECEDOR

Transforme o seu kit num aquário tropical colocando este aquecedor* compacto Marina de 10 watts no espaço fornecido atrás dos cartuchos filtrantes (iii. D). *Vendido em separado.

NÃO INTRODUZA PEIXES DE IMEDIATO

- Aguarde 3-4 dias antes de introduzir peixes para que a temperatura da água possa estabilizar. Permita que os funcionários da loja de animais o orientem na sua escolha de peixes. Utilize o suplemento biológico para aquários e o condicionador de água fornecidos, conforme indicado.
- Aclimatize os peixes antes de os introduzir no aquário. Basta fazer flutuar o saco que contém os peixes no aquário para regular a temperatura da água no saco e reduzir o risco de provocar stress nos seus peixes. Recomenda-se verter a água do saco para o seu aquário.
- Assim que toda a gravilha, acessórios de decoração e habitantes tiverem sido adicionados, ateste o aquário com água deixando, pelo menos, 2,5 cm (1 pol.) a partir do topo do tanque (iii. E).

ATENÇÃO: Não desloque o Marina 360 assim que estiver cheio de água.

- Coloque a tampa no topo do aquário.

ALIMENTAR OS PEIXES

Depois de os peixes terem sido introduzidos no aquário, evite alimentá-los nas próximas 24 horas. De seguida, é importante

NÃO ALIMENTAR EM DEMASIA OS SEUS PEIXES. A principal regra é alimentá-los apenas com aquilo que são capazes de consumir em dois minutos uma vez por dia.

3 - CUIDADO E MANUTENÇÃO DO AQUÁRIO

AVISO: DESLIGUE SEMPRE OS EQUIPAMENTOS NO AQUÁRIO DA ALIMENTAÇÃO ELÉCTRICA ANTES DE COLOCAR AS MÃOS NA ÁGUA, ANTES DE COLOCAR OU DE RETIRAR QUAISQUER PEÇAS E SEMPRE QUE EFECTUAR A INSTALAÇÃO, MANUTENÇÃO OU MANUSEAMENTO DO EQUIPAMENTO DO FILTRO.

NÃO coloque as mãos, acessórios de decoração nem introduza quaisquer habitantes no aquário sem remover, pelo menos, 25% do volume de água, uma vez que a deslocação irá fazer transbordar a água do aquário e poderá causar danos na unidade ou na superfície de suporte.

NÃO UTILIZE NEM COLOQUE NADA QUE ENTROU EM CONTACTO COM SABÃO NO AQUÁRIO

MANUTENÇÃO REGULAR

Deve retirar diariamente quaisquer detritos visíveis ou alimentos não ingeridos e garantir que o filtro está a funcionar de forma estável. Retire diariamente 10-20% da água utilizando um dispositivo de limpeza para gravilha para garantir limpeza e para reduzir a acumulação de resíduos e nitratos indesejados. Substitua com água da torneira de temperatura semelhante e adicione as doses correctas de condicionador de água e suplemento biológico para aquários. **NOTA:** nunca mude mais de 20% da água em nenhuma altura.

SUBSTITUIR OS CARTUCHOS FILTRANTES

Para obter os melhores resultados, substitua o cartucho a cada duas (2) a quatro (4) semanas.

NOTA: É importante não mudar todos os cartuchos em simultâneo para garantir uma filtragem biológica correcta.

1. Desligue a alimentação e retire o cartucho filtrante da ranhura 1 (iii. F), lave completamente com água da torneira e volte a colocá-lo na ranhura 2 (mova o outro cartucho para a ranhura 1).

LIMPEZA DO MOTOR

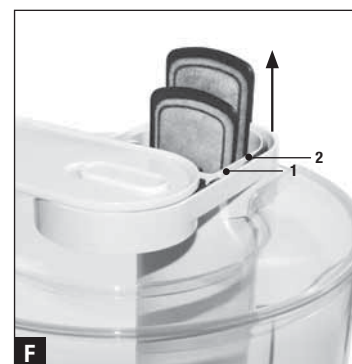
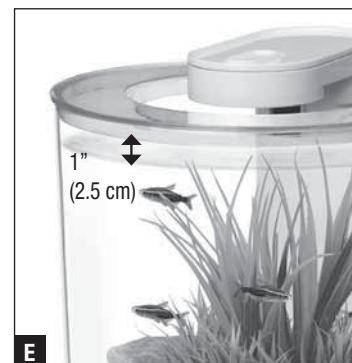
Para obter os melhores resultados, limpe o rotor e a cavidade do rotor, a cada três (3) a seis (6) meses ou se o filtro deixar de funcionar. Substitua o rotor anualmente para obter um desempenho ideal. Recomenda-se a remoção do motor e a inspeção do rotor como parte da sua rotina de manutenção. Se mantiver o rotor limpo, irá reduzir o desgaste e prolongar o seu tempo de vida útil e o tempo de vida útil do motor.

1. Desligue a alimentação e puxe o tubo do filtro para fora a partir do módulo de filtro/LED (iii. G).
2. Retire a tampa da entrada e, em seguida, a tampa do rotor. Puxe o rotor a partir da respectiva cavidade (iii. H).
3. Lave o rotor com água corrente e lave qualquer acumulação viscosa do rotor e da respectiva cavidade e volte a montar.
Importante: NÃO utilize produtos de limpeza químicos.
4. Utilize uma escova de limpeza Marina (#10683 – vendida em separado) para limpar o motor.

LIMPAR A UNIDADE DE FILTRO/LED

Limpe a cada três (3) a seis (6) meses.

1. Desligue a alimentação e retire o tubo do filtro e os cartuchos filtrantes. Limpe a unidade com um pano húmido.
2. Lave o tubo do filtro ou limpe com uma escova de limpeza Marina.



4 - RESOLUÇÃO DE PROBLEMAS

Tenha em atenção que está a introduzir seres vivos na sua vida. Tal como acontece com os humanos, temos de nos adaptar aos nossos ambientes, lidar com o frio ocasional, etc. Abaixo encontram-se alguns problemas comuns que podem surgir com algumas dicas úteis para o ajudar.

AQUÁRIO TURVO

Isto pode ocorrer durante a configuração inicial como resultado do equilíbrio biológico que tenta estabelecer-se no aquário ou como resultado de sobrealimentação. **Consulte o Procedimento Recomendado "A"**.

PEIXES LETÁRGICOS

Normalmente ocorre durante a configuração inicial ou noutras alturas quando a qualidade da água é fraca. Quando existem níveis elevados de amoníaco e nitratos, os peixes têm tendência para permanecer no fundo do aquário e conservar a sua energia movimentando-se menos. É difícil para eles respirar numa água de fraca qualidade. **Consulte o Procedimento Recomendado "A"**.

ÁGUA COM MAU ODOR

Quando existem níveis elevados de amoníaco, nitritos e nitratos, para além da água turva, pode resultar um cheiro forte. **Consulte o Procedimento Recomendado "A"**.

ÁGUA VERDE

A água verde é provocada pelo crescimento de algas. As algas são plantas que necessitam de luz e de nutrientes para crescer. Para evitar o seu crescimento, retire o tanque da luz e certifique-se de que está a fornecer alimentação para peixes de qualidade elevada. Efectue uma mudança de água de 25% a cada quatro (4) dias. Corte na alimentação, utilize alimentação para peixes de qualidade elevada e doseie com suplemento biológico para aquários, bem como com condicionador de água em todas as mudanças de água. Se a situação não se resolver em três (3) semanas, é possível que a água verde ocorra por outra razão. **Consulte o Procedimento Recomendado "B"**.

PEIXES COM PONTOS BRANCOS (ICTIO)

Se detectar pontos brancos nos seus peixes, juntamente com comportamentos fora do normal, tal poderá ser um sinal de que os seus peixes estão doentes. Consulte os funcionários da sua loja de animais que lhe podem recomendar uma solução apropriada. **Consulte o Procedimento Recomendado "B"**.

PEÇAS DE SUBSTITUIÇÃO

- A13965 – Tanque de substituição de 10 L Marina 360
- A13966 – Tampa de substituição Marina 360
- A13967 – Transformador de substituição Marina 360
- A13969 – Rotor de substituição Marina 360
- A13968 – Unidade de filtro/luz de LED de substituição Marina 360
- 12859 – Cartucho de substituição Bio-Carb Marina 360 Slim, embalagem de 4

GARANTIA LIMITADA DE DOIS ANOS

O seu aquário Marina 360 tem garantia contra defeitos de material ou fabrico por um período de dois anos a partir da data de compra. Esta garantia só é válida com prova de compra. A garantia é limitada à reparação ou substituição da unidade, não cobre danos ou perda consequente de objectos animados ou inanimados. Esta garantia é válida desde que o aquário esteja colocado numa superfície que é plana e nivelada e capaz de suportar o peso do aquário quando estiver cheio com água, gravilha e acessórios decorativos. Não levante nem tente mover o aquário se este tiver água. Esta garantia exclui a quebra do aquário causada por uma má utilização, fragmentação do vidro, fendas devido a tensão causada por um suporte inadequado ou outro tipo de quebras. Esta garantia é inválida se não tiver sido efectuada uma manutenção correcta do filtro. Esta garantia só é válida em condições de funcionamento normais para as quais a unidade foi concebida. Exclui quaisquer danos causados por uma utilização irracional, instalação inadequada, adulteração ou uso excessivo da unidade. Esta garantia não influencia os seus direitos estatutários. Esta garantia não abrange o desgaste do rotor ou dos meios de filtragem. Se futuramente, em qualquer altura, tiver razões para reclamar sob esta garantia, deverá fornecer a prova e a data da compra. Recomendamos que guarde a sua factura para este efeito.

PARA SERVIÇO AUTORIZADO DE REPARAÇÃO EM GARANTIA

Para serviço de garantia autorizado, devolva o produto (bem embalado e por correspondência registada) para o endereço abaixo, anexando o recibo com data e a razão para a devolução. Se tiver alguma questão ou comentários sobre o funcionamento deste produto, deixe-nos tentar ajudá-lo antes de devolver o produto ao seu vendedor. A maioria das questões pode ser tratada de imediato através de uma chamada telefónica. Ao ligar (ou escrever), disponibilize todas as informações relevantes tais como número do modelo, idade do produto, detalhes da configuração do aquário, bem como a natureza do problema.

E.U.A.: Rolf C. Hagen (E.U.A.) Corp., 305 Forbes Blvd, Mansfield, MA. 02048

LIGUE GRATUITAMENTE PARA:

Apenas para os EUA: 1-800-724-2436 entre 9:00 e 16:00h. Horário local. Pergunte pelo Serviço ao cliente.

Pergunte locais fora da América do Norte: Para validar a garantia ou para obter quaisquer informações ou comentários sobre o funcionamento deste produto, entre em contato com o revendedor local.

Para mais informações sobre os nossos produtos, visite o nosso website: **www.hagen.com**.

RECICLAGEM

Este símbolo significa uma triagem selectiva de resíduos de equipamentos eléctricos e electrónicos (REEE). Isto significa que este produto deve ser tratado de acordo com a Directiva Europeia 2002/96/CE para ser reciclado ou desmontado para minimizar o seu impacto ambiental. Consulte uma Agência Ambiental local quanto a possíveis instruções de eliminação do produto ou entregue-o num centro de recolha de resíduos registado. Os produtos electrónicos não incluídos no processo de triagem selectiva são potencialmente perigosos para o ambiente e para a saúde devido à presença de substâncias perigosas.

PROCEDIMENTO RECOMENDADO A

Efectue uma mudança de água parcial (até 25% de água), adicione uma dose de condicionador de água e uma dose de suplemento biológico para aquários. Reduza a alimentação para uma vez de dois em dois dias, até notar resultados positivos. Se isto não funcionar, teste a sua água (consulte o Procedimento recomendado "B") para determinar a causa e selecione um procedimento apropriado.



PROCEDIMENTO RECOMENDADO B

Se não tiver a certeza sobre a origem do problema do seu aquário, leve uma amostra de água do aquário e uma amostra de água da torneira à sua loja de animais para que possam testá-la e determinar a causa, aconselhando-o sobre os procedimentos adequados. De seguida, pode obter o seu kit de teste Nutrafin para testar a água quando o desejar.



**CANADA**

Rolf C. Hagen Inc.
20500 Trans Canada Hwy
Baie d'Urfé, Québec H9X 0A2
Tel: 514-457-0914

USA

Rolf C. Hagen (USA) Corp.
305 Forbes Blvd.
Mansfield, MA 02048
Tel: (800) 724-2436

UK

Customer Service Department
Rolf C. Hagen (UK) Ltd.
California Drive
Whitwood Industrial Estate,
Castleford WF10 5QH,
West Yorkshire
Tel: 01977556622

FRANCE

Rolf C. Hagen (France) S.A.
Zone Parisud 4
Boulevard Jean Monnet
F-77388 Combs-la-Ville
Tel: +33 1 64 88 14 18

GERMANY

Hagen Deutschland GmbH & Co. KG
Lehmweg 99-105
25488 Holm
Tel: 04102 7060 0

MALAYSIA

Rolf C. Hagen (Sea) Sdn. Bhd.
Lot 14A, Jalan 3A, Kawasan
Perusahaan Cheras Jaya
Balakong, 43200 Cheras, Selangor
Darul Ehsan
Tel: + 603 9074 2388

SPAIN

Rolf C Hagen España S.A.
Avda. de Beniparrell, 11 y 13
P.I. L'Altero 46460 Silla
Valencia, Spain
Tel: +34 96 120 09 45